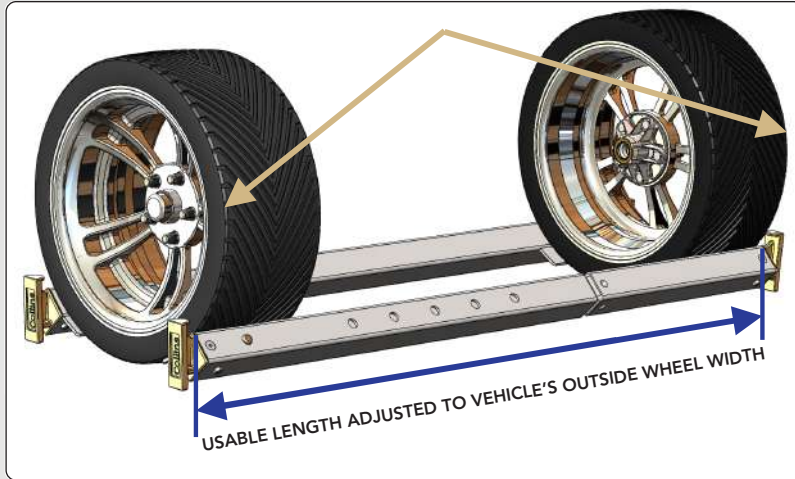
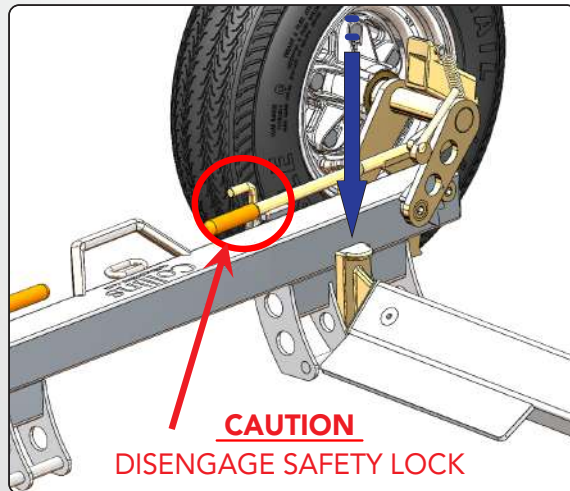


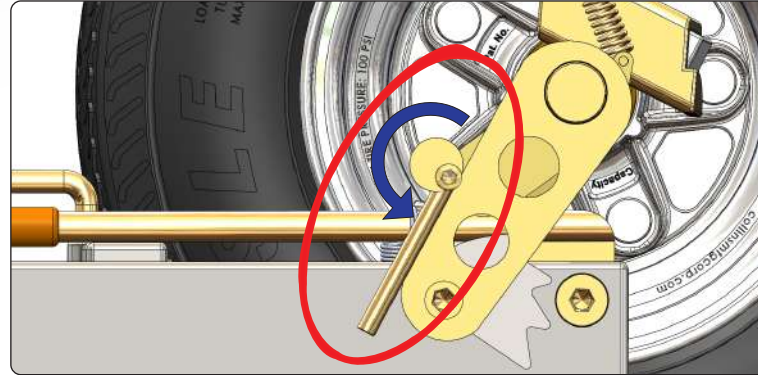
**STEP 1.** Place cambered cross rails fore and aft of vehicle's tires. Adjust length of cross rails as close as possible to outer sidewalls of vehicle's tires.



**STEP 2.** Using thumb tabs, lower cross rails into dolly rail pocket slots as close to vehicle tires as possible.

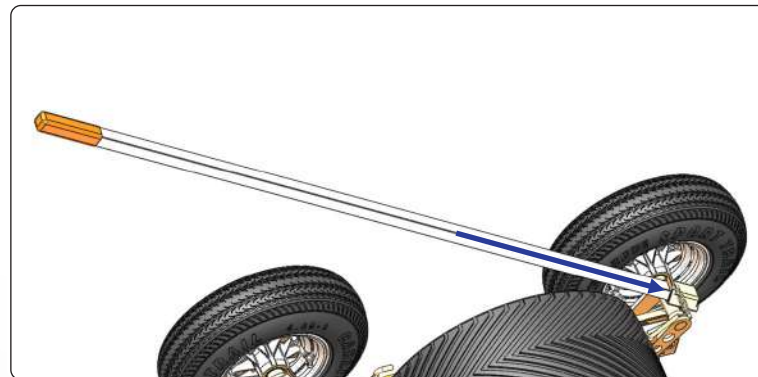


**STEP 3.** Engage each Safety Ratchet System by rotating cam handle 180° to interlock ratchet into gear teeth.

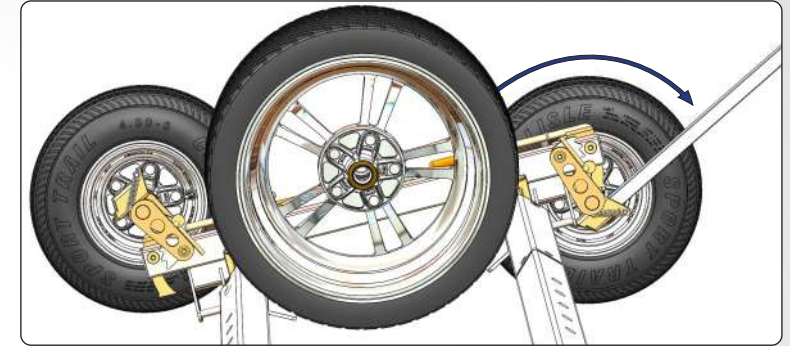


**NOTE:**  
SAFETY RATCHETS ALLOW STOP POINTS FOR LIFTING HEAVIER VEHICLES LOADING ON LOOSE GRAVEL, SLIPPERY SURFACES, OR UNEVEN ROADWAYS, PERMITTING PAUSES WHILE LIFTING TO GET A BETTER GRIP ON END OF PRY BAR.  
USING DOLLIES WITHOUT SAFETY RATCHET SYSTEM INCREASE RISKS OF INJURY OR DROPPED VEHICLES.

**STEP 4.** Insert pry bar into each pry pocket.



**STEP 5.** With a firm grip with both hands on end of pry bar, rotate spindle assemblies full 90° to stops.



**STEP 6.** Engage all safety locks over trip handles.



**STEP 7.** Use safety tie-down straps to secure vehicle to dollies.



# Collins

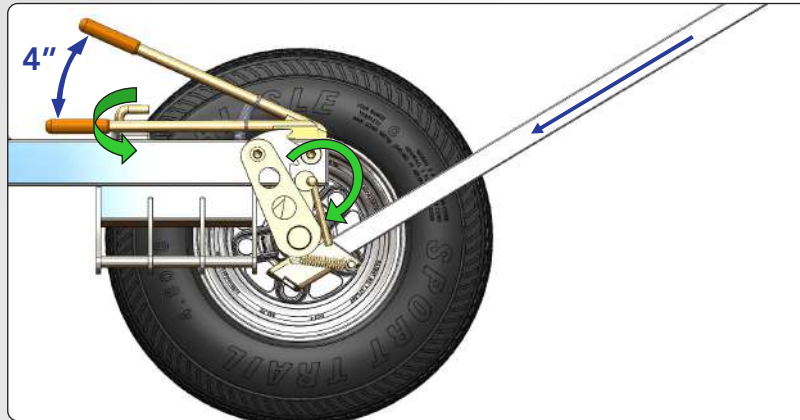
## BEFORE LOWERING DOLLY:

- » PLACE TOWED VEHICLE IN PARK/GEAR
- » DISENGAGE SAFETY LOCKS
- » SET TOWED VEHICLE'S PARKING BRAKE
- » DISENGAGE SAFETY RATCHETS
- » REMOVE SAFETY TIE-DOWN STRAPS

## SLOW-LOWERING

**SKILL-SET LEVEL: Experienced - Practice Empty**

**STEP 1.** Insert pry bar & relieve pressure to lift trip handle ~ 4".

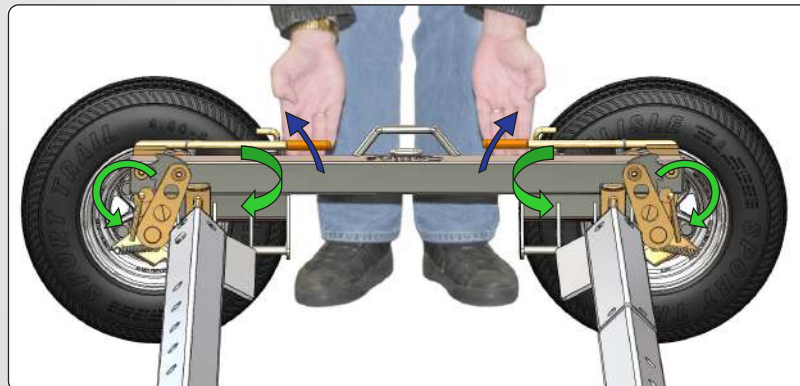


**STEP 2.** When spindle begins to rotate clear, use both hands on pry bar to slowly lower.

## SPEED-LOWERING

**Be mindful of surroundings, both ground surface and overhead**

Lift trip handles (from the front): together, (as shown), or one at a time. Dolly automatically lowers to the ground.



\*Deciding which method to use and when will depend on company policy, training, environment and safe practices\*

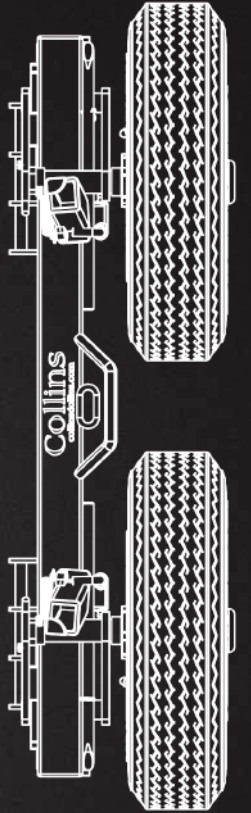
# Hi-Speed<sup>®</sup> Dolly

## Sets Specifications

Part No.	Description
<b>HSD-H5D</b> Hi-Speed <sup>®</sup> Dolly HERO w/ 5.70-D Tires 4280 lb capacity	<b>Includes:</b> Tires + Greaseable Aluminum Hubs Aluminum Wheels Zinc-Plated Steel Cross Rails Aluminum Pry Bar Tie Down Straps
<b>HSD-H4D</b> Hi-Speed <sup>®</sup> Dolly HERO w/ 4.80-D Tires 3968 lb capacity	
<b>HSD-P5D</b> Hi-Speed <sup>®</sup> Dolly PRO w/ 5.70-D Tires 4280 lb capacity	<b>Includes:</b> Tires + Greaseable Aluminum Hubs Aluminum Wheels Aluminum Cross Rails Aluminum Pry Bar Tie-Down Straps
<b>HSD-P4D</b> Hi-Speed <sup>®</sup> Dolly PRO w/ 4.80-D Tires 3968 lb capacity	
<b>HSD-P4C</b> Hi-Speed <sup>®</sup> Dolly PRO w/ 4.80-C Tires 3040 lb capacity	
<b>HSD-R4D</b> Hi-Speed <sup>®</sup> Dolly REPO w/ 4.80-D Tires 3640 lb capacity	<b>Includes:</b> Tires + Greaseable Aluminum Hubs Steel Wheels Aluminum Cross Rails Aluminum Pry Bar Tie-Down Straps
<b>HSD-R4C</b> Hi-Speed <sup>®</sup> Dolly REPO w/ 4.80-C Tires 3040 lb capacity	

# Collins

## Hi-Speed<sup>®</sup> Dolly



Quick-Start Guide