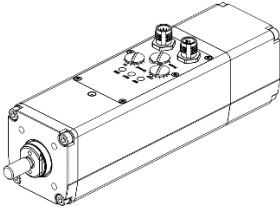




Data sheet CTC-060



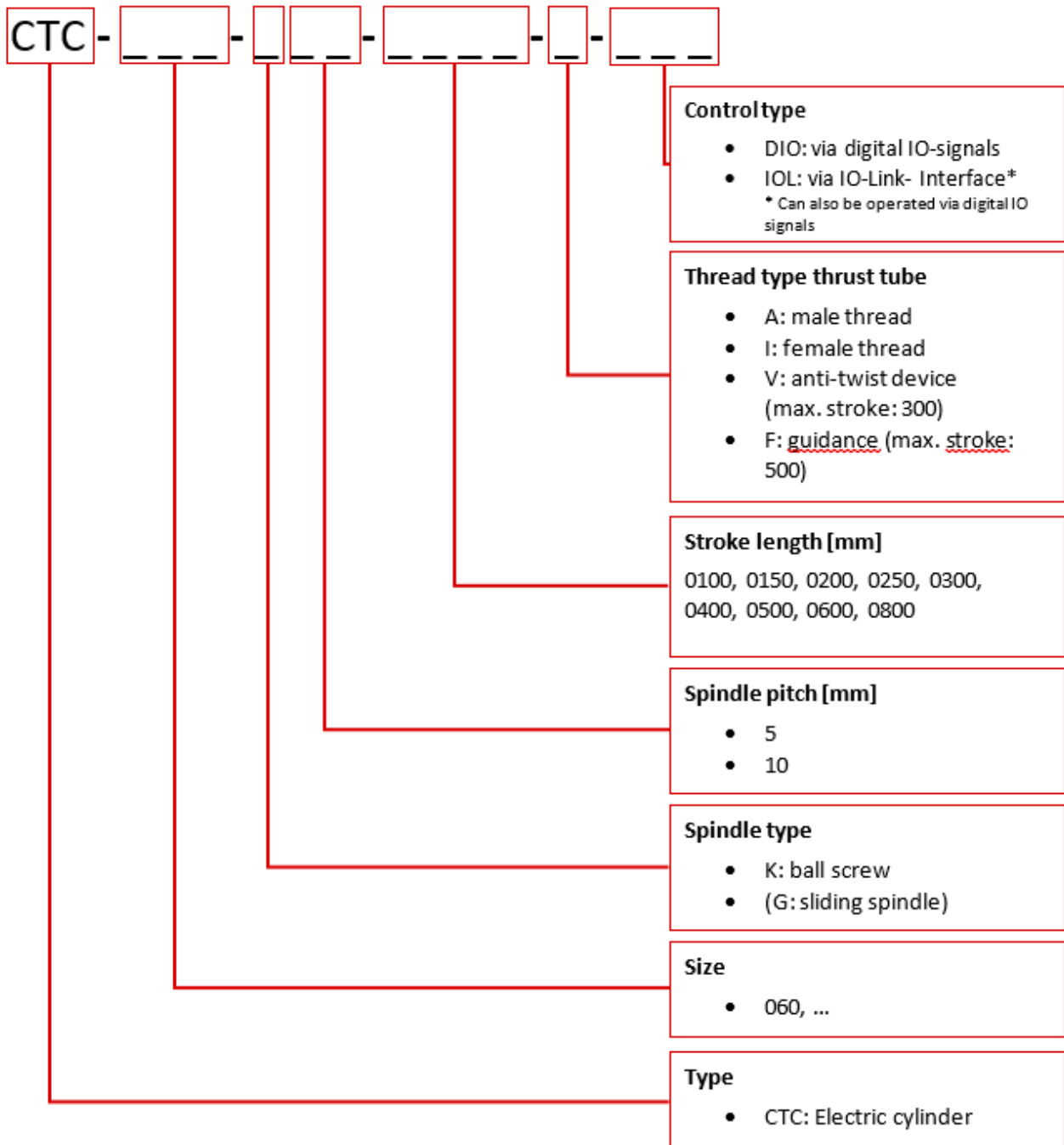
Size		CTC-60	
Control / Parameterization		 IO-Link / digital I/O e.g. positioning applications / e.g. simple lifting movement	
Setting force & speed		 IO-Link / control panel	
Stroke	[mm]	100, 150, 200, 250, 300, 400, 500, 600, 800	
Spindle pitch	[mm/rev]	5	10
Max. Feed force (peak)	[N]	800	400
Max. Feed force (continuous operation)	[N]	400	200
Max. Speed			
In 24V operation		150	300
In 48V operation		300	600
Max. Acceleration		15	15
Positioning precision	[mm]	+/- 0.1mm	
Repeat precision	[mm]	+/- 0.02mm	
Spindle type		Balls screw	
Mounting position		any	
Piston rod thread		M10 x 1.25 male / M6 female / end plate	
Ambient temperature	[°C]	0...+40	
Ambient temperature note		At ambient temperatures above 25° C a reduction in performance must be expected.	
Storage temperature	[°C]	-20...+60	
Protection class		IP65 according to EN 60529 (AT a standstill)	
Relative humidity	[%]	0...90 (non-condensing)	
Motor type		Synchronous Servomotor	
Rotor position encoder		Absolut, single turn, 12bit	
Torsion protection		Sliding guide (No external torque)	
CE mark (see Declaration of Conformity))		According to EU-RoHS-RL	
		According to EU EMV Directive	

Connectors, signals, control		
Status display		3x LED
Power interface, connection type		Plug 4-pole, M12x1, T-coded according to EN 61076-2-111
Rated voltage power circuit	[V DC]	24 - 48
Rated current power	[A]	5
Max. current consumption power	[A]	10
Signal interface, connection type		Plug 8-pole, M12x1, A-coded according to EN 61076-2-101
Operating range signal input	[V DC]	24
Permissible voltage variations	%	+/- 15
Max. current digital signal outputs	[mA]	100 / output
Number of digital signal inputs	3	extend, retract, teach
Number of digital signal outputs	3	extended, retracted, ready
Features signal input		not galvanically isolated
Max. cable length	[m]	20, for inputs and outputs
Switching logic outputs		push-pull
Switching logic inputs		positive switching
Reference	extend	fixed stop intern / stop external
	running in	fixed stop intern / stop external

Weight (+/- 10%)		
For 100 mm stroke	[g]	1600
Per 10mm stroke additionally	[g]	45
moving mass / 10 mm stroke	[g]	5.85

Materials	
Housing, cover	Aluminium colorless anodized
Thrust tube	Aluminium, hard anodized
Seals	NBR / EPDM
Thread attachment	Stainless steel
Screws	Steel Galvanized
Spindle	heat-treated steel
Spindle nut	Roller bearing steel
Covers knobs	Stainless steel
Grease nipple	Steel Galvanized
Connector fittings	Zinc nickel plated
Housing, cover	Aluminium colorless anodized

Configuration key

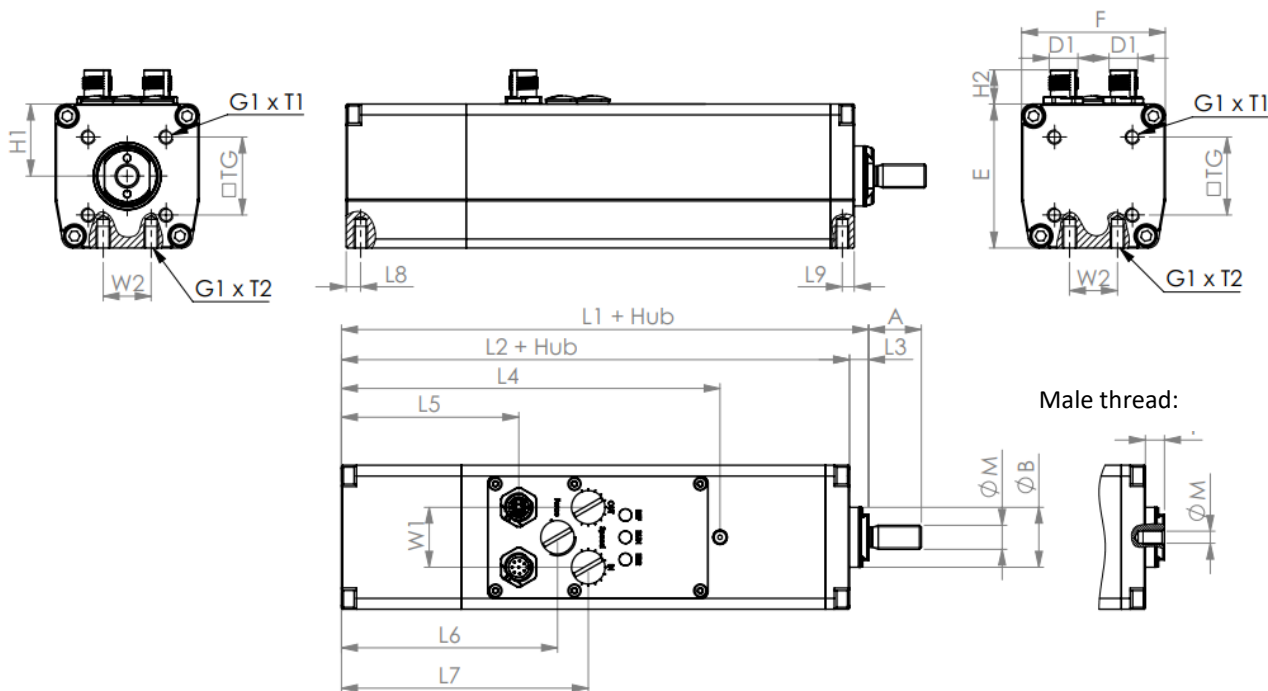


Example: CTC-060-K10-0100-A-DIO

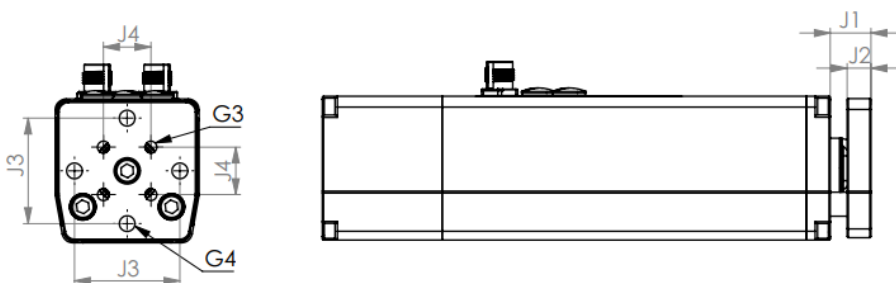
Dimensions

The basic dimensions are based on ISO 15552.

The connection and accessory dimensions fully comply with ISO 15552.



With anti-twist device:



	L1*	L2*	L3	L4	L5	L6	L7	L8	L9	H1	H2	D1
CTC-060	120	112	8	158	74	90	103	6	5	30	14.3	M12

	TG**	G1	T1	T2	A	B	E	F	I	M	W1	W2
CTC-060	32.5	M6	12	9	22	25	60	60	9	12	25	20

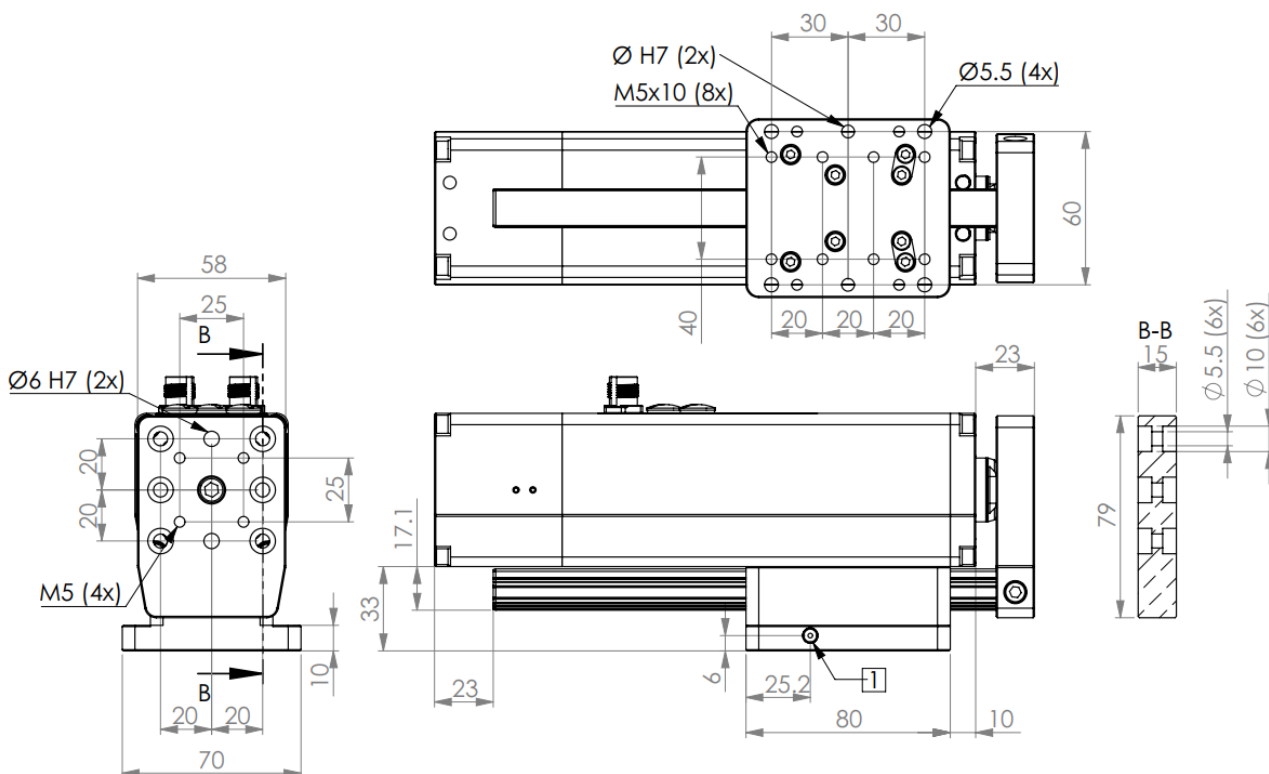
	J1	J2	J3	J4	J5	G3	G4
CTC-060	17	10	44	19.8	58	M6	6.6

All dimensions in mm.

* Stroke-dependent dimensions

** Thread for version with anti-rotation lock only on rear side of housing

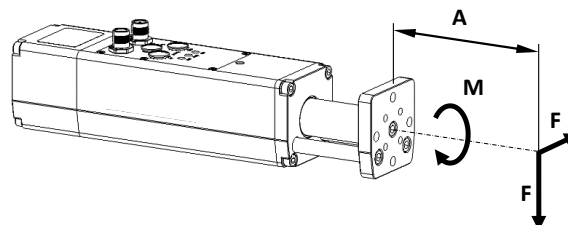
Supplementary dimensions for CTC-060-___-___-F



[1] Conical grease nipple for lubricating the guide (both sides)

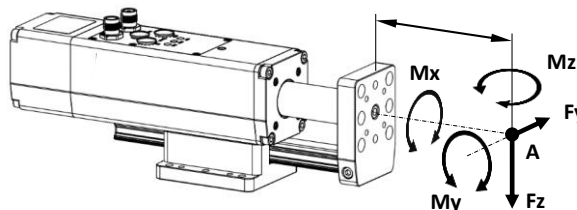
Permissible moment load M and transversal load F for CTC-060-___-___-V

Hub	F [N]	M [Nm]
100	29.96	1.26
150	12.45	0.75
200	6.31	0.54
250	3.63	0.45
300	2.28	0.40



Permissible moment load M and transversal load F for CTC-060-___-___-F

stroke	Fy [N]*	Fz [N]*	Mx [Nm]*	My [Nm]*	Mz [Nm]*
100	84.6	182.7	11.3	8.2	3.8
150	77.8	168.1	10.4	7.5	3.5
200	74.1	160.1	9.9	7.2	3.3
250	71.8	155.0	9.6	6.9	3.2
300	70.2	151.5	9.4	6.8	3.1



*The maximum permissible load applies in the retracted state and decreases with extended length. Detailed design according to diagrams in the operating instructions.