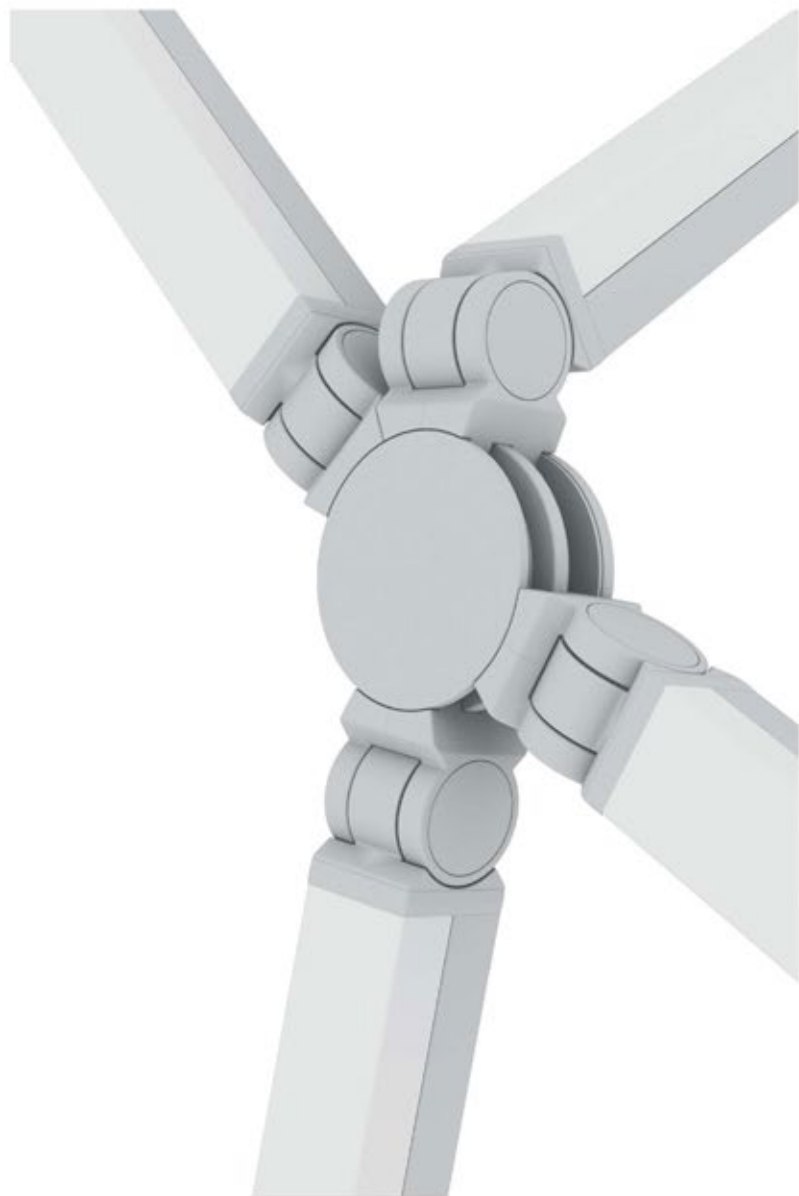




LIGEO™ DATASHEET

VALID FROM 1/2019

REQUIREMENTS



48V

SELV



Indoor only.



The EU Declaration of Conformity can be requested at the adress below.

These products are qualified according:

- IEC 60598-2-1:1979, AMD1:1987 used in conjunction with IEC 60598-1:2014
- AMD1:2017
- IEC 62031:2018
- IEC 61347-2-11:2001
- IEC 62471:2006



Appliances marked with this symbol must not be disposed with the regular household garbage. Consumers are required by law to recycle this product at an appropriate facility. Check with your local authority or retailer for recycling options.




Made in Germany



LIGEO™
GiP Innovation Tools GmbH

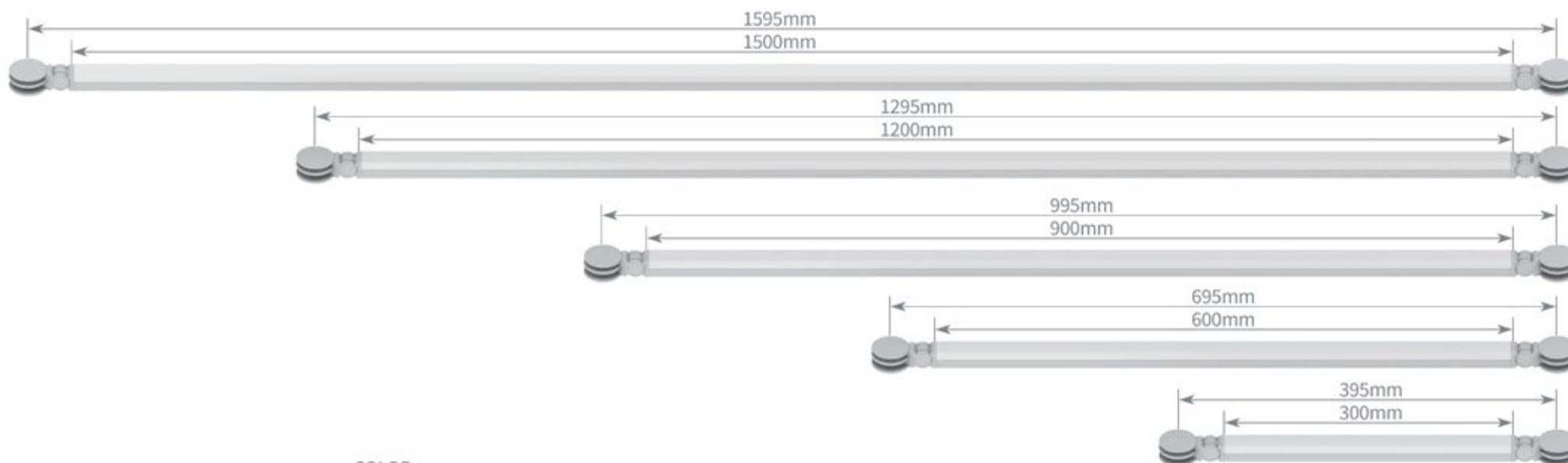
Hauptstraße 52
57074 Siegen | Germany

T +49 271 386803 00 info@ligeo.de
T +49 271 386803 01 www.ligeo.de



VARIATIONS

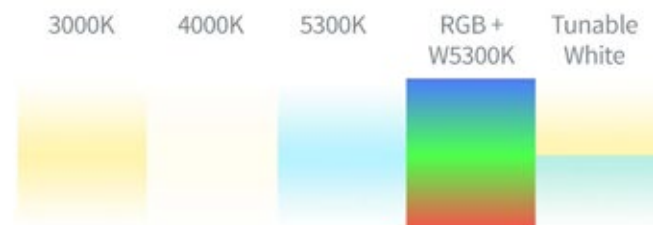
LENGTH



COLOR



LIGHT COLOR



LIGEO™
GiP Innovation Tools GmbH

Hauptstraße 52
57074 Siegen | Germany

T +49 271 386803 00
T +49 271 386803 01

info@ligeo.de
www.ligeo.de



HUBS

Connector Hub



Power Hub



Power Hinge



Power Hub

Blade
receptacle
6,35mm



Power Hub

Cable
Outlet
Sideways



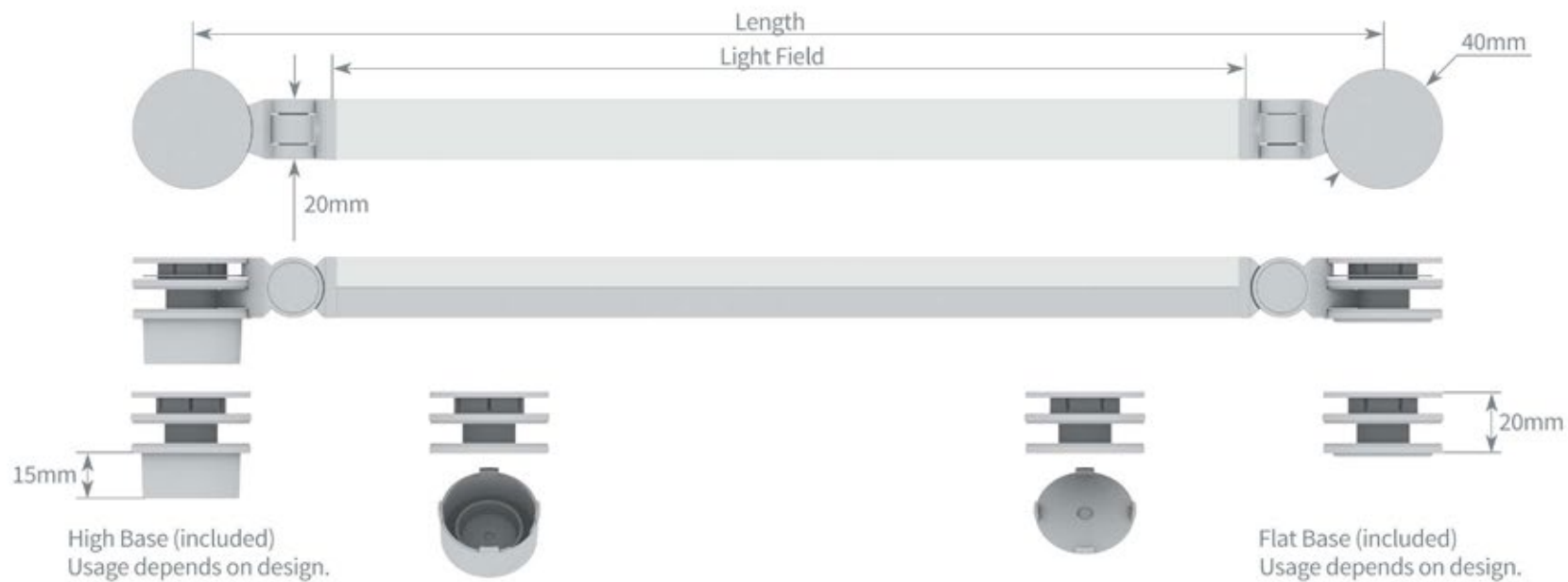
Power Hub

Cable
Outlet
Backwards

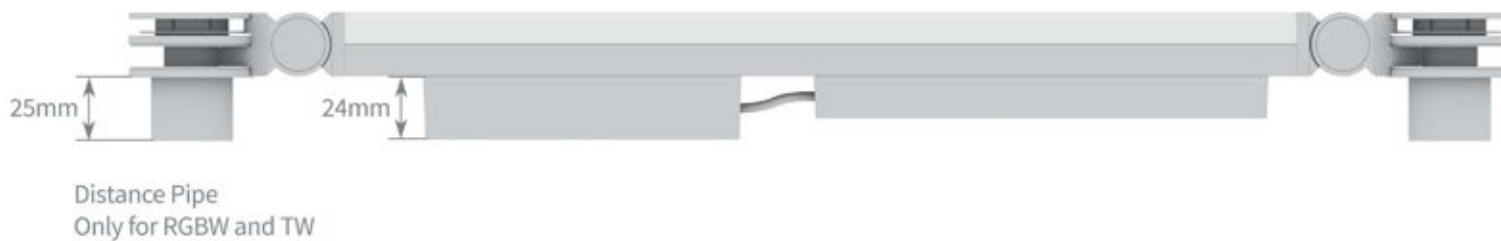


DIMENSIONS

LIGEO™ SL W (White LED)



LIGEO™ SL RGBW (RGB + White LED) and TW (Tunable White)



LIGEO™
GiP Innovation Tools GmbH

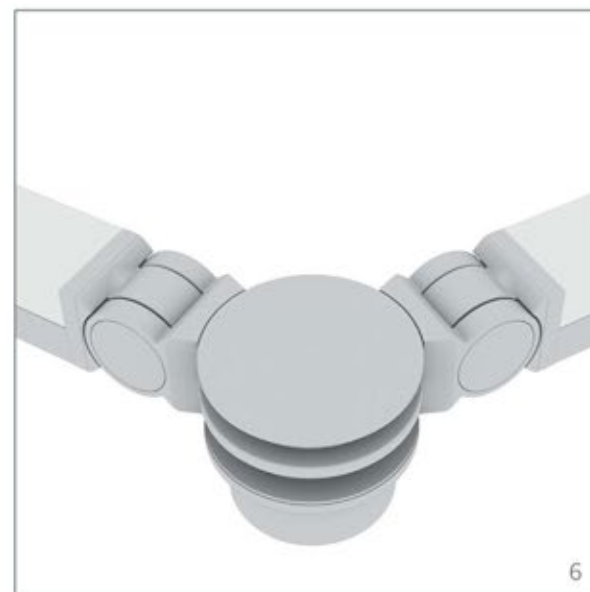
Hauptstraße 52
57074 Siegen | Germany

T +49 271 386803 00
T +49 271 386803 01

info@ligeo.de
www.ligeo.de



ASSEMBLY



LIGEO™
GiP Innovation Tools GmbH

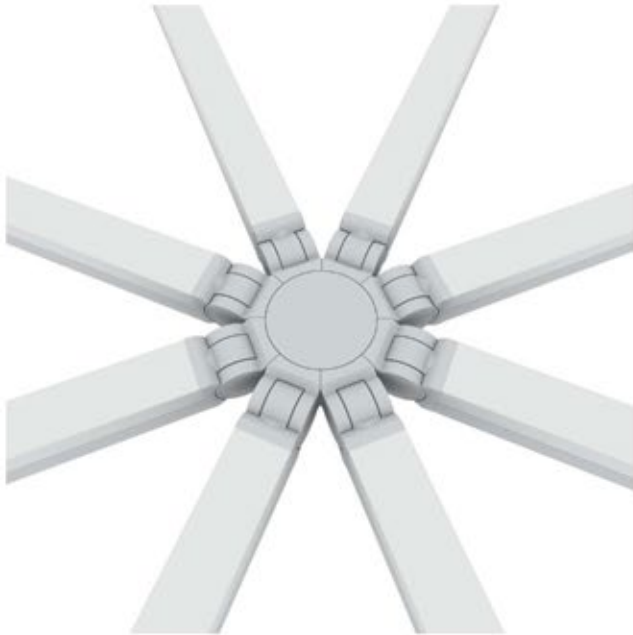
Hauptstraße 52
57074 Siegen | Germany

T +49 271 386803 00
T +49 271 386803 01

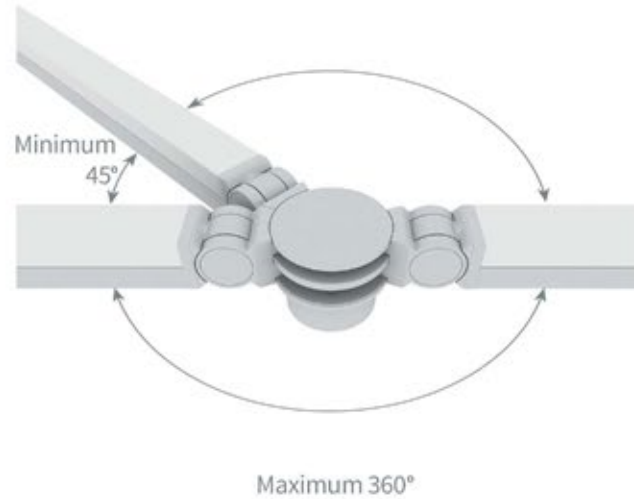
info@ligeo.de
www.ligeo.de



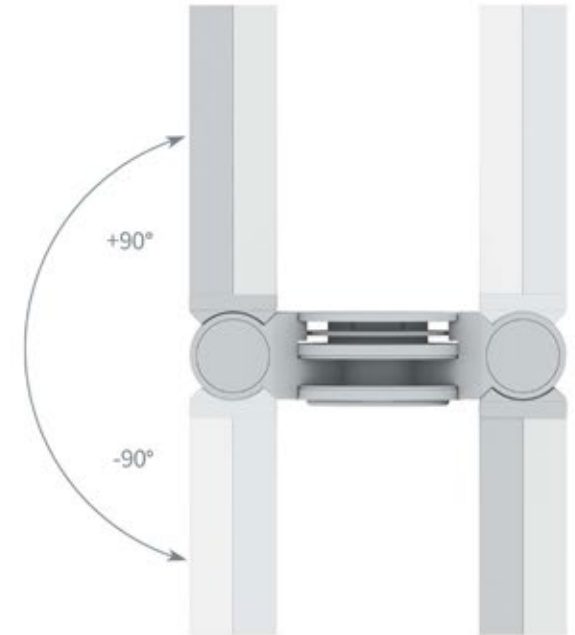
MECHANICAL FEATURES



Maximum 8 LIGEO™ SL tubes per hub.

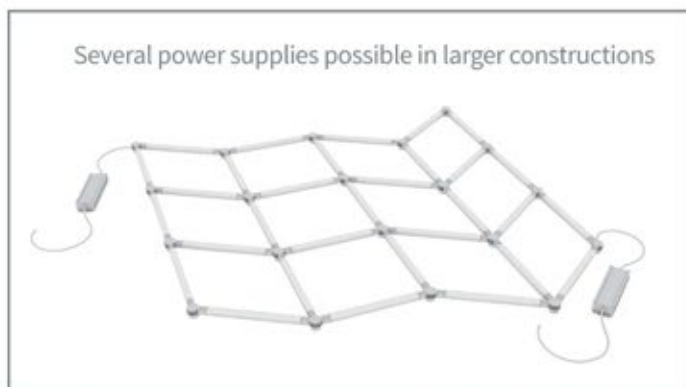


Each LIGEO™ SL tube 360°turnable and the hub allows minimum 45°between LIGEO™ SL tubes.



Maximum tilt +90° up and -90° down.

POWER SUPPLY OPTIONS

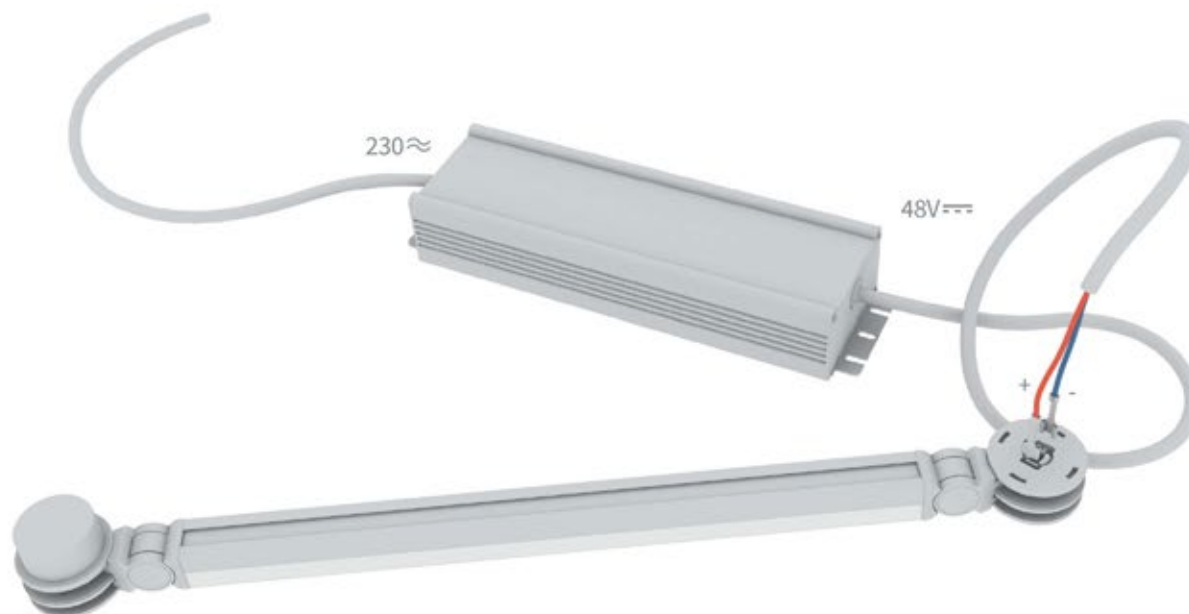


48V constant voltage

LIGEO™ SL White: dimmable via power supply (potentiometer, DALI...)

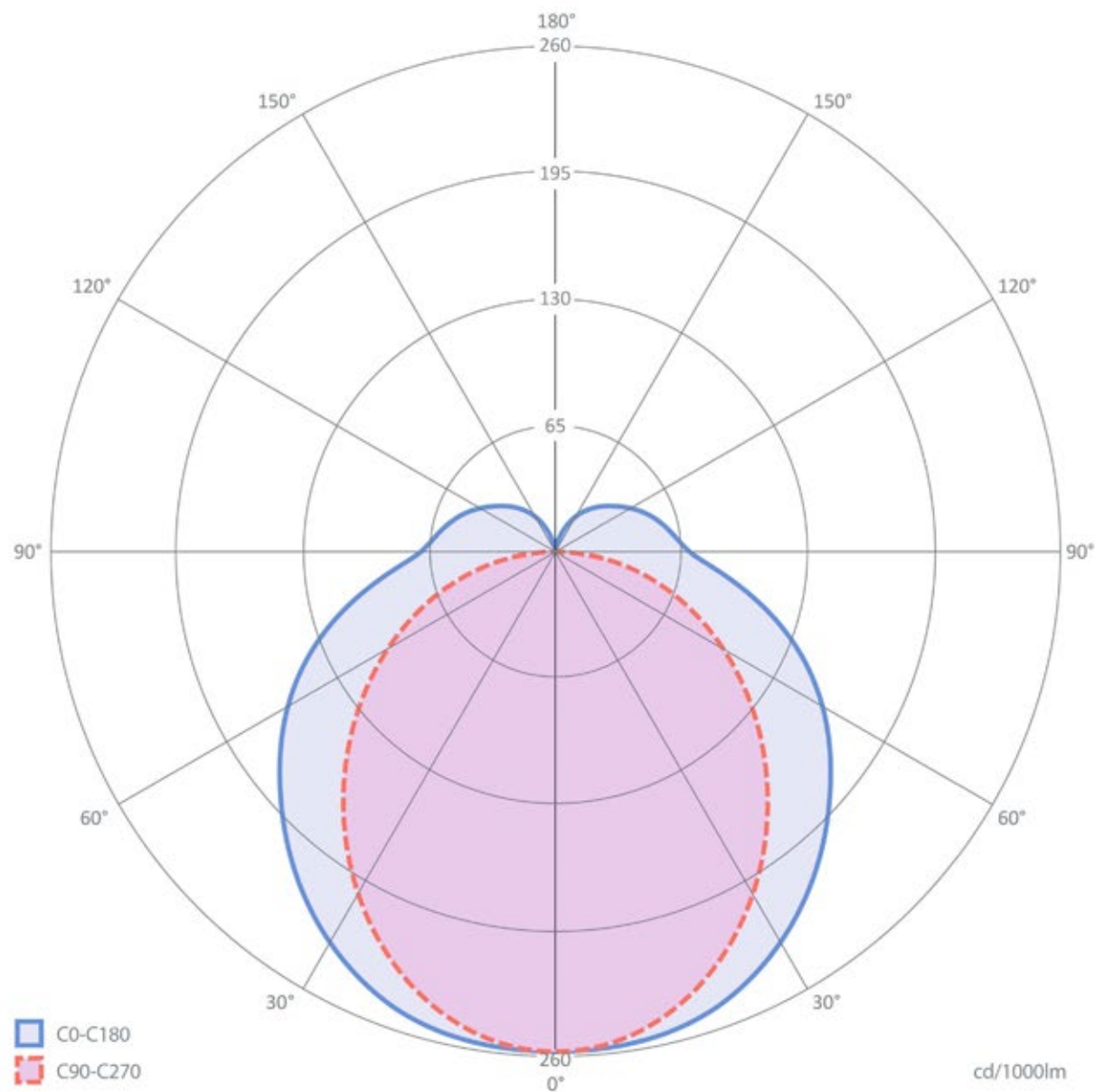
LIGEO™ SL RGBW: controllable via DMX and cable

LIGEO™ SL Tunable White: controllable via DMX and cable



Use only stranded 2,5 mm² PVC or rubber wires with a max. length of 5m and a nominal minimum insulation thickness of 0,6 mm.

LIGHT DIAGRAM

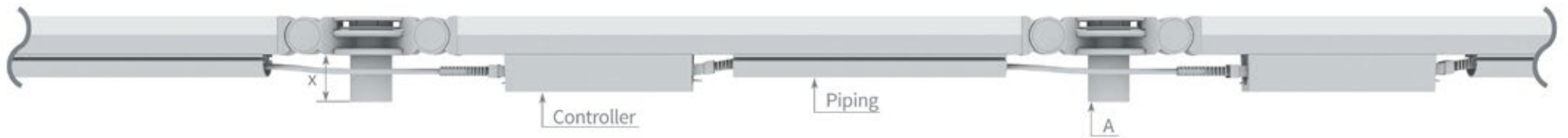


Light Diagram

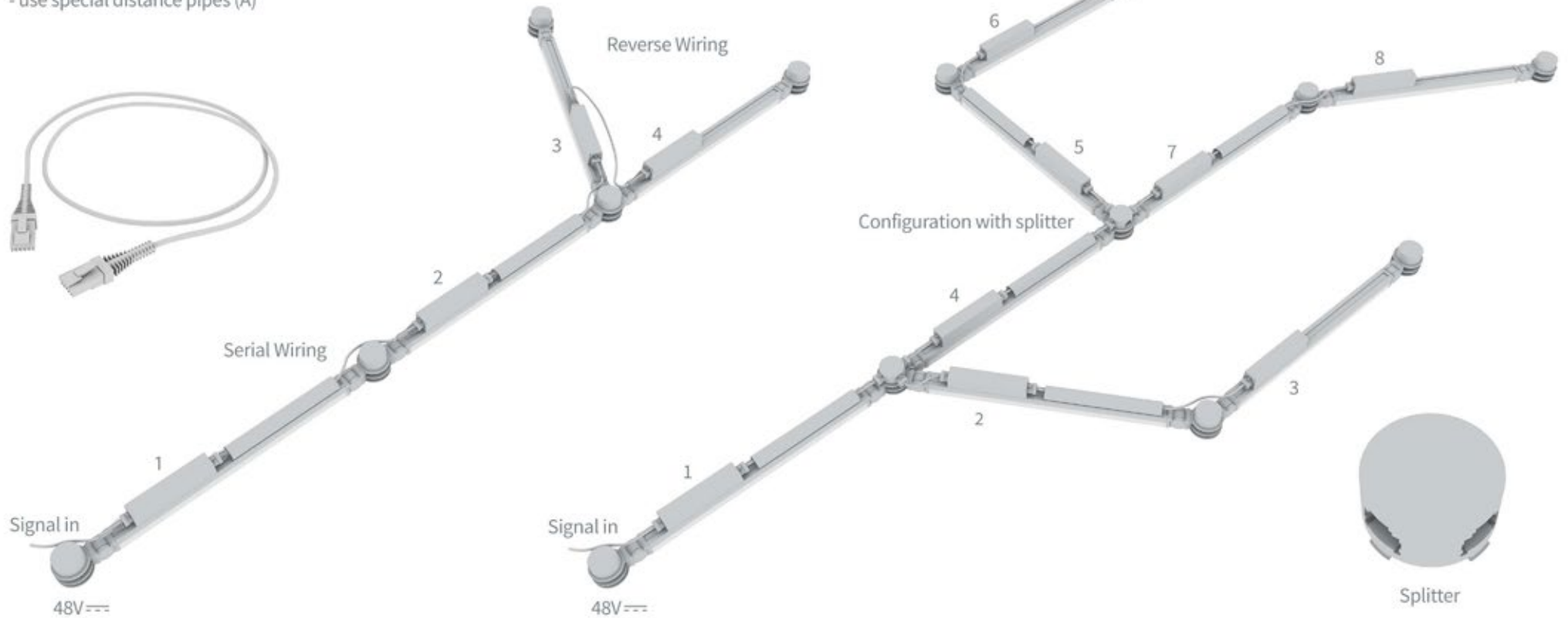
Light distribution in the C0-180 area (perpendicular to the longitudinal axis of the lamp) and the C90-C270 area (along the longitudinal axis of the lighting body of the lamp).

This is similar for all LIGEO™ SL. Detailed information and Eulumdat data for all variations can be found in the download section on www.ligeo.de.

DMX WIRING



RJ45 (Cat.5 Cable)
 - distance to wall 25mm (x)
 - use special distance pipes (A)



LIGEO™
 GiP Innovation Tools GmbH

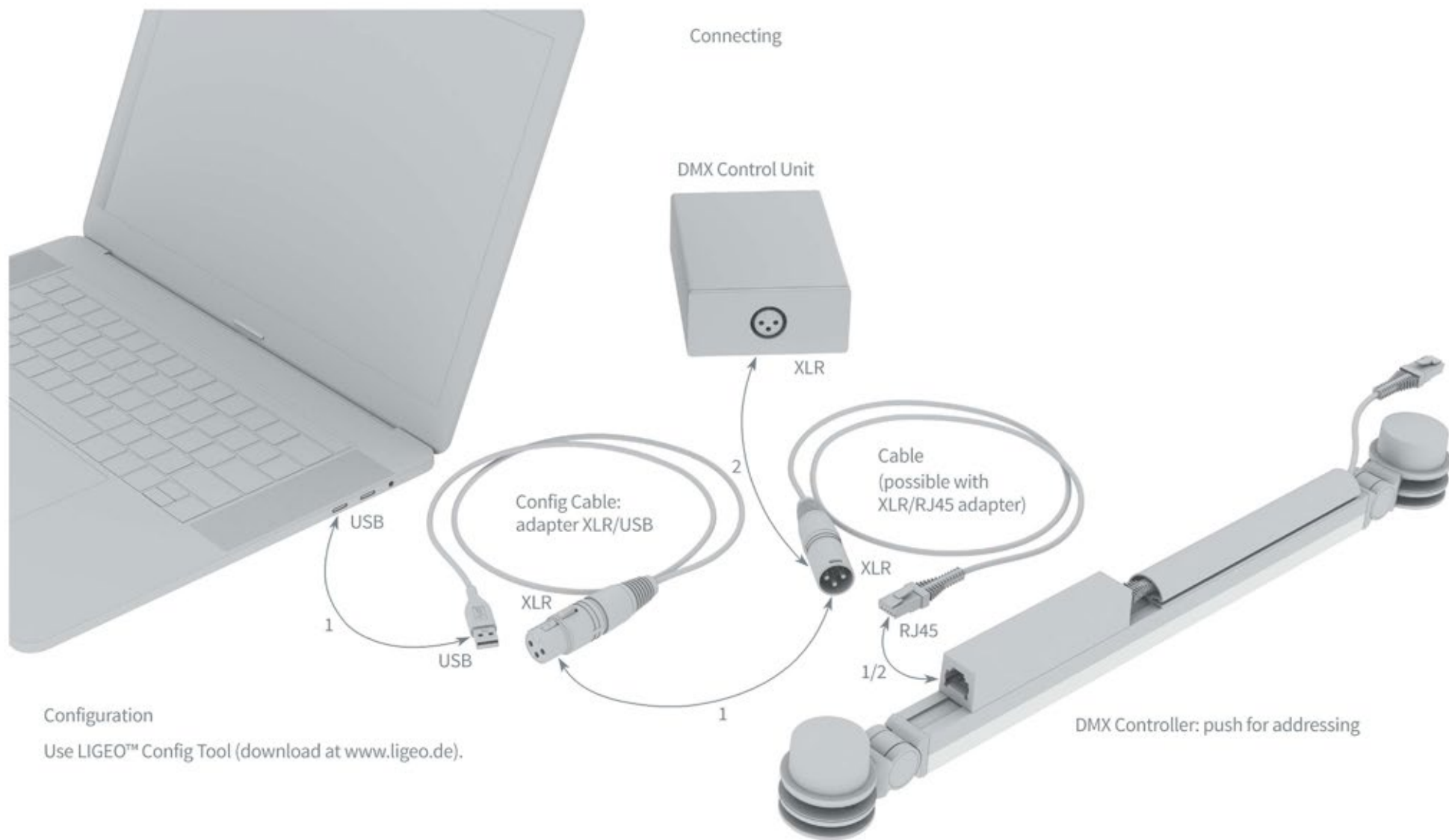
Hauptstraße 52
 57074 Siegen | Germany

T +49 271 386803 00
 T +49 271 386803 01

info@ligeo.de
 www.ligeo.de



DMX CONTROL DATA CABLE



LIGEO™
GiP Innovation Tools GmbH

Hauptstraße 52
57074 Siegen | Germany








T +49 271 386803 00
T +49 271 386803 01

info@ligeo.de
www.ligeo.de



DATASHEET - LIGEO™ SL

Valid from 9/2018

	 Silver Order Number	 Black Order Number	 Gold Order Number	 White Order Number	Light Field (mm)	Length (mm)	Weight (g)	Typ. Flux (lm)	Power (W)	RA	Efficiency Class
WARM WHITE	29003010130	29003020130	29003030130	29003040130	300	395	117	492	5,7	83,1	A+
3000K	29006010130	29006020130	29006030130	29006040130	600	695	198	984	11,4	83,1	A+
Global Dimmable	29009010130	29009020130	29009030130	29009040130	900	995	287	1476	17,1	83,1	A+
	29012010130	29012020130	29012030130	29012040130	1200	1295	370	1968	22,8	83,1	A+
	29015010130	29015020130	29015030130	29015040130	1500	1595	452	2460	28,5	83,1	A+
NEUTRAL WHITE	29003010140	29003020140	29003030140	29003040140	300	395	117	474	5,6	86,4	A+
4000K	29006010140	29006020140	29006030140	29006040140	600	695	198	949	11,3	86,4	A+
Global Dimmable	29009010140	29009020140	29009030140	29009040140	900	995	287	1423	16,9	86,4	A
	29012010140	29012020140	29012030140	29012040140	1200	1295	370	1897	22,6	86,4	A
	29015010140	29015020140	29015030140	29015040140	1500	1595	452	2372	28,2	86,4	A
DAYLIGHT WHITE	29003010150	29003020150	29003030150	29003040150	300	395	117	507	5,6	86,5	A+
5300K	29006010150	29006020150	29006030150	29006040150	600	695	198	1015	11,3	86,5	A+
Global Dimmable	29009010150	29009020150	29009030150	29009040150	900	995	287	1522	16,9	86,5	A+
	29012010150	29012020150	29012030150	29012040150	1200	1295	370	2030	22,6	86,8	A+
	29015010150	29015020150	29015030150	29015040150	1500	1595	452	2537	28,2	86,5	A+



LIGEO™
GiP Innovation Tools GmbH







Hauptstraße 52
57074 Siegen | Germany

T +49 271 386803 00 info@ligeo.de
T +49 271 386803 01 www.ligeo.de



DATASHEET - LIGEO™ SL

Valid from 9/2018

	 Silver Order Number	 Black Order Number	 Gold Order Number	 White Order Number	Light Field (mm)	Length (mm)	Weight (g)	Typ. Flux (lm)	Power (W)	RA	Efficiency Class
RGBW	29003010250	29003020250	29003030250	29003040250	300	395	128	481	5,6	88,9	A+
RGB+W 5300K	29006010250	29006020250	29006030250	29006040250	600	695	219	962	11,3	88,9	A+
Tube Control DMX	29009010250	29009020250	29009030250	29009040250	900	995	317	1443	16,9	88,9	A+
	29012010250	29012020250	29012030250	29012040250	1200	1295	409	1924	22,6	88,9	A+
	29015010250	29015020250	29015030250	29015040250	1500	1595	501	2405	28,2	88,9	A+
TUNABLE WHITE	29003010350	29003020350	29003030350	29003040350	300	395	128	517	6,3	89	A
3000K - 5300K	29006010350	29006020350	29006030350	29006040350	600	695	219	1034	12,6	89	A
Tube Control DMX	29009010350	29009020350	29009030350	29009040350	900	995	317	1551	18,9	89	A
	29012010350	29012020350	29012030350	29012040350	1200	1295	409	2068	25,2	89	A
	29015010350	29015020350	29015030350	29015040350	1500	1595	501	2068	31,5	89	A
Connector Hub	29000900100	29000900200	29000900300	29000900400							
Power Hub	29000900105	29000900205	29000900305	29000900405							
Power Hinge	29000900705	29000900505	29000900905	29000901105							



LIGEO™
GiP Innovation Tools GmbH

Hauptstraße 52
57074 Siegen | Germany

T +49 271 386803 00 info@ligeo.de
T +49 271 386803 01 www.ligeo.de



NOTES

REMARKS

- the electrical connection must be adapted to local requirements and the corresponding basic insulation must be provided
- the light source of this luminaire is not replaceable
- when the light source reaches its end of life, the whole luminaire should be replaced
- configure volt free
- use isolated screws for all connected power hubs



MECHANICAL FEATURES

- 2kg max. load per LIGEO™ SL
- mount the caps on free-floating hubs

DMX CONTROL DATA CABLE

- the DMX controller is part of the luminaire and shall not be replaced
- when the DMX controller is damaged the whole luminaire should be replaced

POWER SUPPLY OPTIONS

- max. 320W/hub
- electricity can be looped through
- system not compatible with other lamps
- use only independent and certified control gears, according to the IEC 61347-2-13, with Constant Voltage SELF Output: 48 V DC
- no unusual mechanical stresses on the cable
- isolate all open wire ends of power supply units



DATASHEET

VALID FROM 1/2019

LIGEO™ by GiP Innovation Tools

Hauptstr. 52, 57074 Siegen

info@ligeo.de

+49 271 38 68 03 - 00