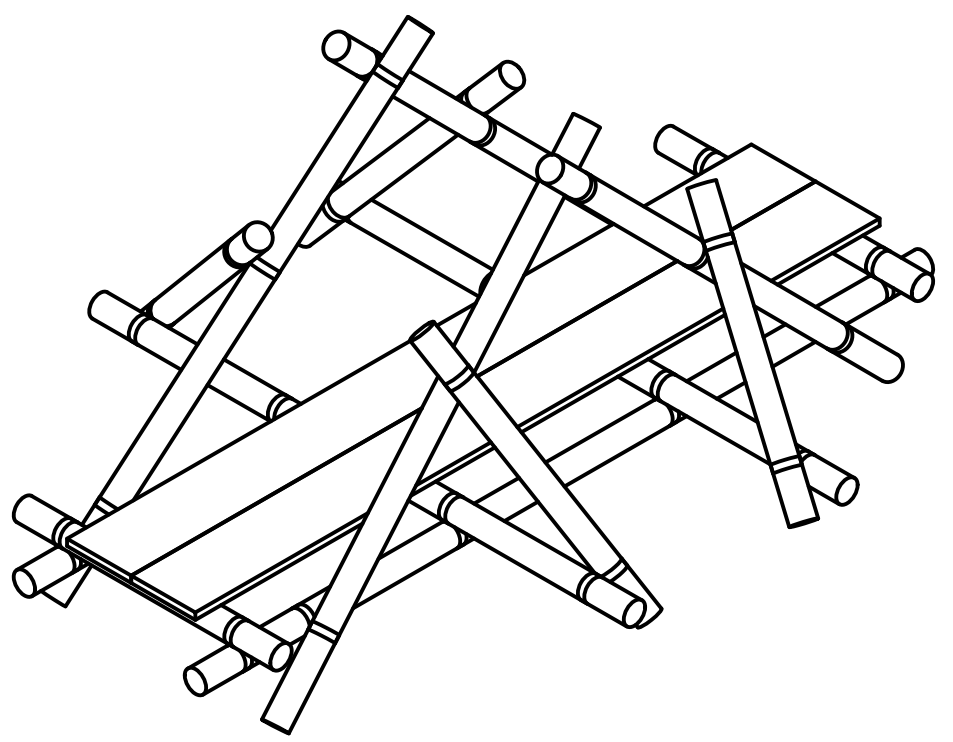


Materialliste		
Pos. 1	6x	120 x 10
Pos. 2	4x	225 x 10
Pos. 3	2x	250 x 10
Pos. 4	2x	340 x 10
Brett	2x	320 x 30 x 3
Schnürleine	22x	



Dept.	Technical reference	Created by <b>Remo Rothenberger</b>	Approved by
Format: Masstab: Masseinheit:	A3 1:25 [cm]	Document type	Document status
		Title <b>Schnürobjekt_gross_2023</b>	DWG No.
		Rev. <b>B</b>	Date of issue <b>31.01.2023</b>
			Sheet <b>1/1</b>

