

Prodigy Low Profile Hoist Series



Type(s)  
Project  
Date  
Notes

GENERAL INFORMATION

APPLICATIONS

Prodigy Low Profile General Purpose Hoists provide a simple, low-cost way to raise and lower stage electrics, scenery, or curtains for setup and storage. With the smallest space requirement in the industry, the P2 hoist is especially useful where an extremely low profile is necessary. ETC's unique compression tube technology absorbs lateral loads, reducing the structural strain on your building. With P2, schools, theatres, town halls, and other smaller facilities now have access to the safety, and convenience offered by motorized setup systems.

With motorized hoists, it is no longer necessary to climb ladders or scaffolds to install or change lighting plots, scenery, and drapes. The convenience of working at stage level means faster turnaround times between shows and safer working conditions for staff and crew.

FEATURES

- Unique Prodigy Hybrid Drum: Powerhead manages up to eight lifting lines with 15 m of travel in a machine 1/3 the size of comparable hoists
- Standard-design package hoist can be installed upright, underhung or vertically and utilize traditional upright or underhung head pulleys and drop pulleys
- Optional Compression Tube technology: channel snaps in place to interface with facility structure and neutralize additional lateral forces on the building
- Right Angle Cable Adjuster (RACA): permitting rapid trim adjustment, even under load, the unique trim clamp saves up to 36 cm of building height for greater batten travel
- Supports up to 900 kg entertainment load limit (ELL)
- Motor control electronics included in Powerhead, no separate motor control cabinet required
- Safety features supplied as standard:
  - Load cells for real-time load feedback on rigging controllers
  - Load profiling: a user-recordable dynamic function to detect load deviations during travel
  - Automated self-test of control system safety features
  - Slack line detection: a slack lifting line will stop the hoist from downward travel
  - Limit switches: four rotary limit switches with visual setting indicators for more efficient installation
  - Encoders for position feedback and control

BENEFITS OF PRODIGY HOISTS

- Lightweight – less load on the building and easy to install
- No additional lateral forces imposed on the building – lateral forces neutralized with the optional Compression Tube

BENEFITS OF PRODIGY HOISTS

- Compression Tube:
  - Reduces structural requirements by eliminating lateral loads
  - Lifting line placement is not dependent on structural layout
- Simple, flexible installation options
- Low noise operation
- Factory-tested under full load
- Easy-to-use, reliable, and powerful Rigging Control Systems

REGULATORY AND COMPLIANCE

- TÜV Süd Certification for DGUV 17/18 (BGV-C1)
- TÜV Conformity Certificate for EN17206
- CE Compliant
- Meets and exceeds the requirements of:
  - EN-17206 UC-1 and UC-2
  - Safety Integrity Level 2 (SIL-2)
  - Machinery Directive
  - Low Voltage Directive
  - EMC Directive

HOIST DATA

| Hoist Models                         | P2-300                            | P2-600  | P2-900  |
|--------------------------------------|-----------------------------------|---------|---------|
| Hoist Entertainment Load Limit (ELL) | 300 kg                            | 600 kg  | 900 kg  |
| RACA Entertainment Load Limit (ELL)  | 190 kg                            | 190 kg  | 190 kg  |
| Min/max qty of lifting lines (5 mm)  | 3/6                               | 4/8     | 5/8     |
| Powerhead weight (typical)           | 160 kg                            | 185 kg  | 230 kg  |
| Length (typical)*                    | 1290 mm                           | 1290 mm | 1480 mm |
| Width (typical)                      | 360 mm                            | 385 mm  | 410 mm  |
| Height (typical)                     | 465 mm                            | 465 mm  | 465 mm  |
| Travel distance                      | 15 m                              |         |         |
| Maximum speed                        | 20 cm/s (12 m/min) @ 400 V, 50 Hz |         |         |
| Motor operating temperature range    | 5°C–40° C                         |         |         |

\*-CT models add 1170 mm with tube extended



**STANDARD SAFETY FEATURES**

- Redundant load arresting: a double electromechanical motor brake
- Rotary limit switches: upper limit, upper overtravel, lower limit, lower overtravel
- Slack line detection: a slack lifting line will stop the hoist from downward travel
- Load cell: provides Load Profiling and continuous monitoring of loads to prevent gross overload
- Load profiling: a user-recordable dynamic function to detect load deviations during travel
- Hardwired E-stop: each hoist has its own dedicated E-stop contactor
- Overcurrent protection: integrated overcurrent circuit to protect against electrical overloads

| <b>COMPRESSION TUBE MOUNTING (OPTIONAL)</b> |             |   |   |
|---|-------------|---|---|
| Beam Clamp Spacing                          | Tube Weight | Min Qty of Beam Clamps Required   | Standard Mounting Brackets Available for: |
| Max spacing 4.3 m on center                 | 5.2 kg/m    | 1 @ Powerhead + 1 @ 4.3 m on center max spacing, one per Compression Tube | I-Beam / Strut channel*                   |

\*Must be capable of supporting the hoist system plus the working load

| <b>LOADING INFORMATION (LIFTING LINE PLACEMENT)</b> |                   |                   |   |                                    |  |   |
|---|-------------------|-------------------|---|------------------------------------|--|---|
| Loading   | Min Load Per Line | Max Load Per Line | Drop Pulley Locations With Compression Tube   |                                    |  | Maximum # of Lifting Lines Available                        |
|   |                   |                   | First Drop Pulley   | Drops along Compression Tube       |  |   |
| Distributed load over the length of the batten      | 15 kg             | 190 kg            | 1.22 m minimum distance from the Powerhead frame or 0.33 m from Powerhead frame with mule pulley for first lifting line | 1.22 m minimum drop pulley spacing | 3.65 m maximum drop pulley spacing with 48.3 mm x 3.7 mm steel pipe batten | P2-300 models – 6<br>P2-600 models – 8<br>P2-900 models – 8 |

| <b>MOTOR INFORMATION</b> |                    |                       |                |                   |
|--------------------------|--------------------|-----------------------|----------------|-------------------|
| Hoist Models             | Maximum Speed      | Line Voltage Input    | Motor Power    | Operating Current |
| P2-300                   | 20 cm/s (12 m/min) | 3-phase, 400 V, 50 Hz | 1.5 hp, 1.1 kW | 2.8 A             |
| P2-600                   | 20 cm/s (12 m/min) | 3-phase, 400 V, 50 Hz | 3.0 hp, 2.2 kW | 5.2 A             |
| P2-900                   | 20 cm/s (12 m/min) | 3-phase, 400 V, 50 Hz | 4.0 hp, 3.0 kW | 6.8 A             |

**HOIST STANDARD CONFIGURATION**

ETC maintains stock of preconfigured hoists for faster shipment. Contact your ETC dealer for availability.

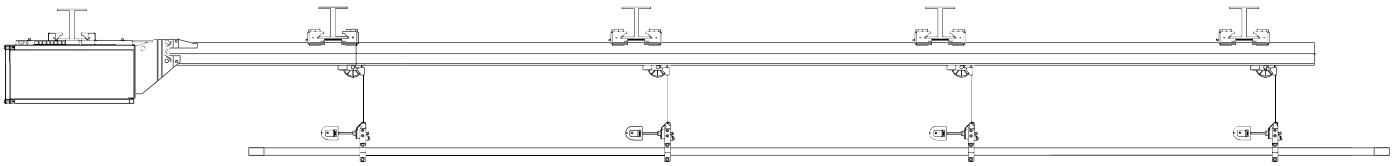
| Product            | Lifting Lines | Compression Tube* | Drop Pulleys** |
|--------------------|---------------|-------------------|----------------|
| P2-300KG/400V-CT-5 | 5             | 1.20 m            | 5              |
| P2-300KG/400V-5    | 5             | None              | 0              |
| P2-600KG/400V-CT-6 | 6             | 1.20 m            | 6              |
| P2-600KG/400V-6    | 6             | None              | 0              |
| P2-900KG/400V-CT-6 | 6             | 1.20 m            | 6              |
| P2-900KG/400V-6    | 6             | None              | 0              |

\*Additional compression tube will be required to complete the installation. Please contact your ETC dealer for more details.

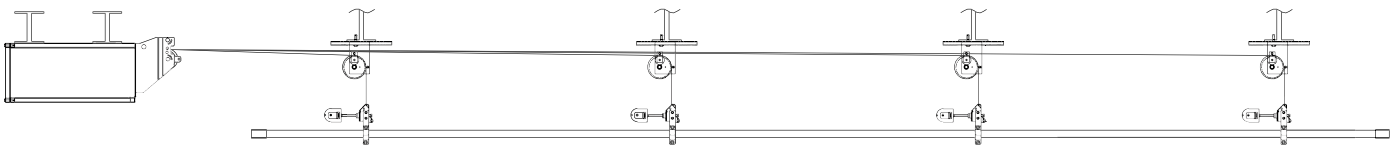
\*\*Drop pulleys are included with compression tube models only. Drop pulleys for powerhead models without compression tube are to be provided by others.

### TYPICAL INSTALLATION EXAMPLES

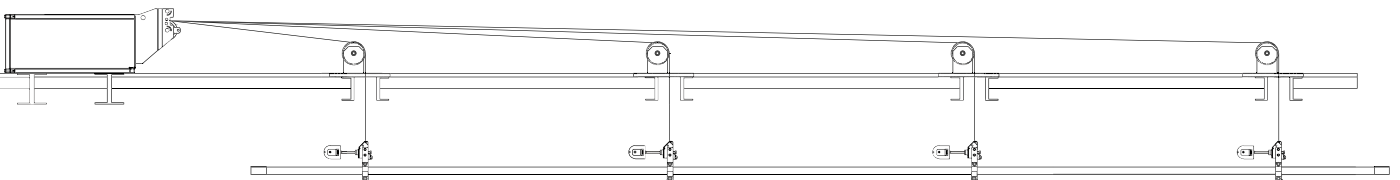
P2 WITH COMPRESSION TUBE



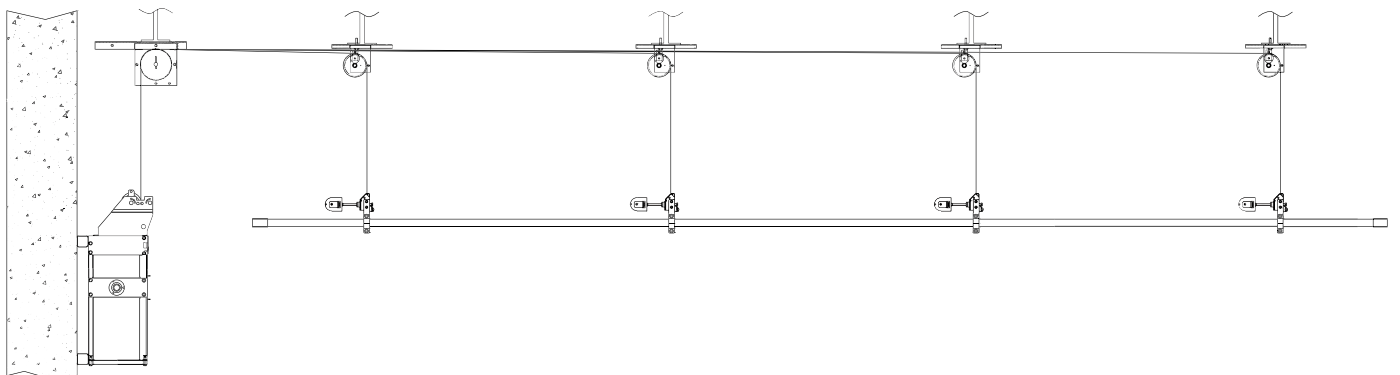
P2 UNDERHUNG



P2 UPRIGHT-STYLE

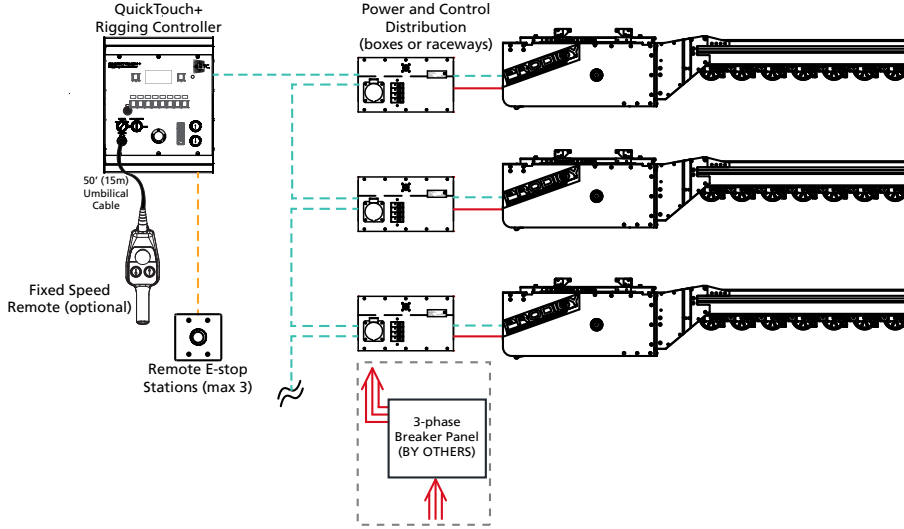


P2 VERTICAL WALL MOUNT



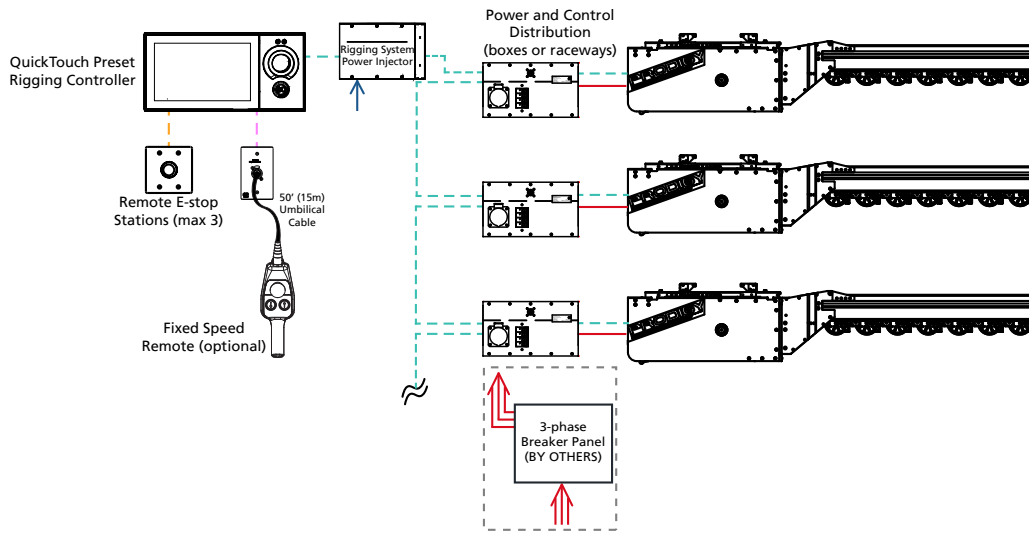
SAMPLE SYSTEM RISERS

QUICKTOUCH+ CONTROL SYSTEM



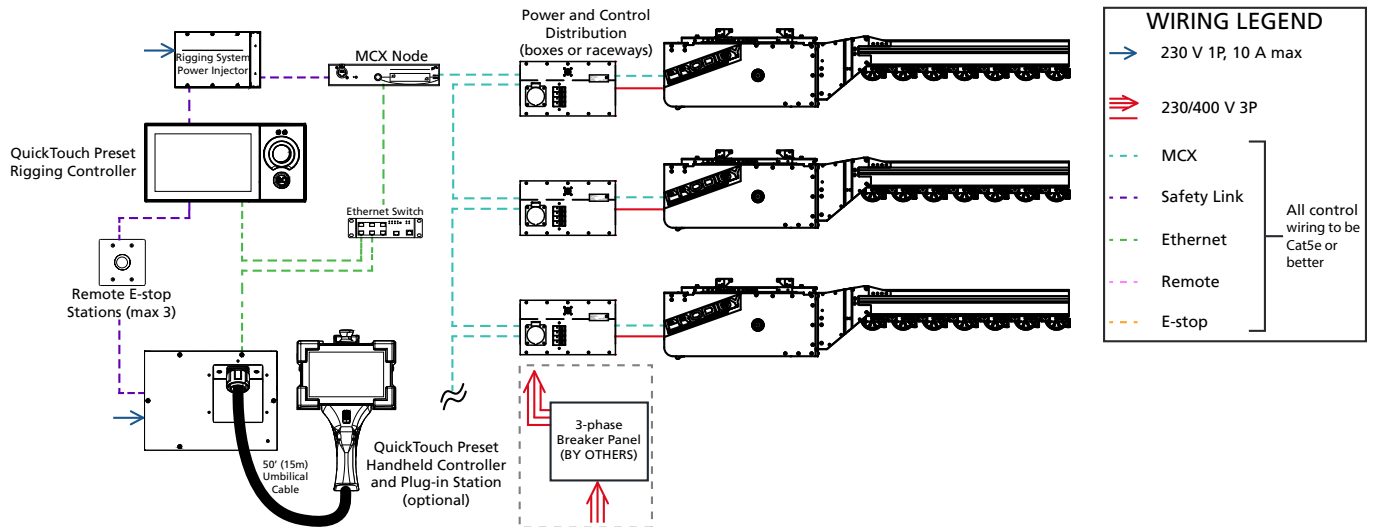
| WIRING LEGEND                            |                    |
|--|--------------------|
|  | 230 V 1P, 10 A max |
|  | 230/400 V 3P       |
|  | MCX                |
|  | Safety Link        |
|  | Ethernet           |
|  | Remote             |
|  | E-stop             |
| All control wiring to be Cat5e or better |                    |

QUICKTOUCH PRESET CONTROL SYSTEM

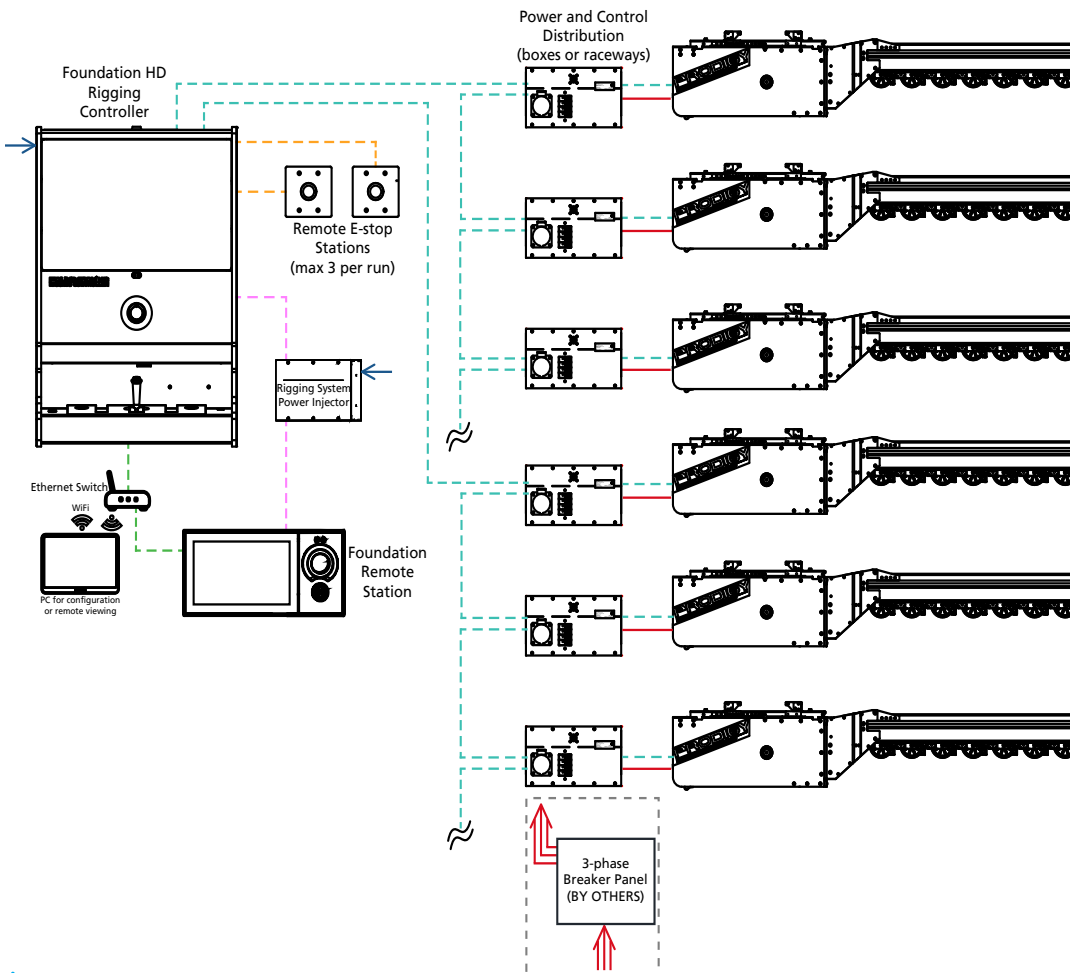


SAMPLE SYSTEM RISERS

QUICKTOUCH PRESET W/ QUICKTOUCH PRESET HANDHELD CONTROL SYSTEM



FOUNDATION CONTROL SYSTEM



Corporate Headquarters • Middleton, WI USA  
 Global Offices • London, UK • Rome, IT • Holzkirchen, DE • Paris, FR • Hong Kong  
 Dubai, UAE • Singapore • New York, NY • Orlando, FL • Los Angeles, CA • Austin, TX  
 Copyright©2021 ETC. All Rights Reserved. All product information and specifications subject to change. Rev A 2021-10  
 \*Trademark and patent info: [etconnect.com/IP](http://etconnect.com/IP)

