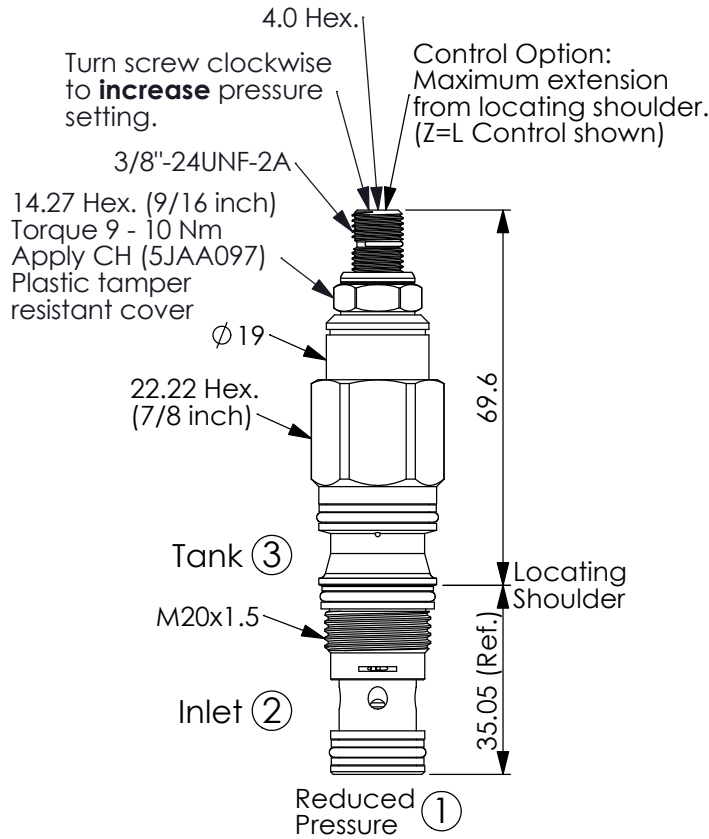


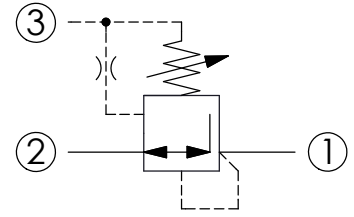
Ordering Code: **PG-11A-X-Y-Z**

PATENT PENDING

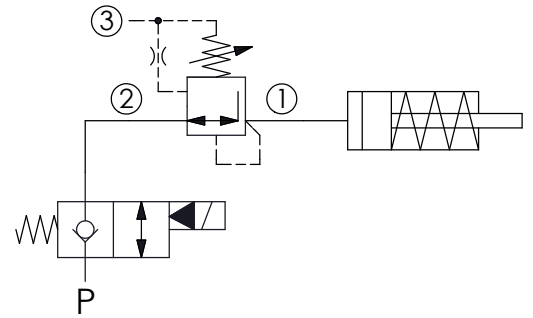


UNIT:mm

Illustrations / detail are for reference only. Data subject to change.



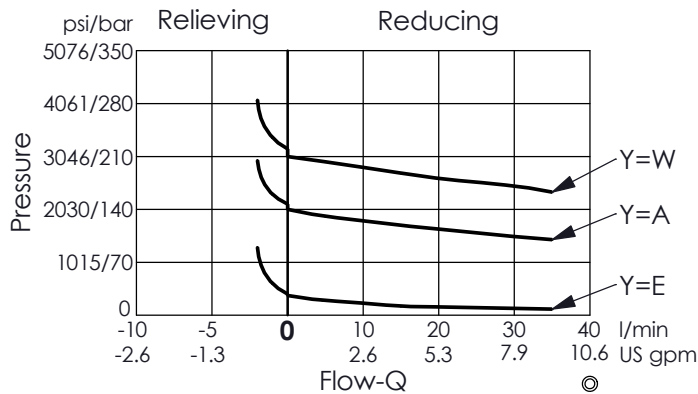
Example: Application Example



TECHNICAL DATA

Max. Operating pressure:	350	bar
Rated flow:	30	l/min
Cavity-Tooling:	11A-3	
Installation torque:	40 - 50	Nm
Weight:	0.181 (Z=L)	kg

- Poppet type construction, dirt tolerance.
- All spring ranges allow 350 bar inlet pressure.



X OPERATION

30 Reducing Valve (With Relief function)

- This poppet type reducing valve with relieving function. Due to essentially zero leak structure, that can be applied to load holding, clamping gripping, or thermal-relief functions. To maintain the reduced pressure stable for a long time.
- If without the relief function is needed, please refer to PF-11A-3J-[Y]-[Z].

Y SPRINGS

ADJUSTMENT RANGES

A	20 - 210 bar (50 bar Standard Setting)
E	1.7 - 28 bar (14 bar Standard Setting)
W	35 - 315 bar (70 bar Standard Setting)

Z OPTIONS

L	Leakproof hex. socket screw.	
C	Stainless Steel Tamper Resistant Cover.	
K	Handknob with Lock Knob. (Order Code: 6ZAK001)	