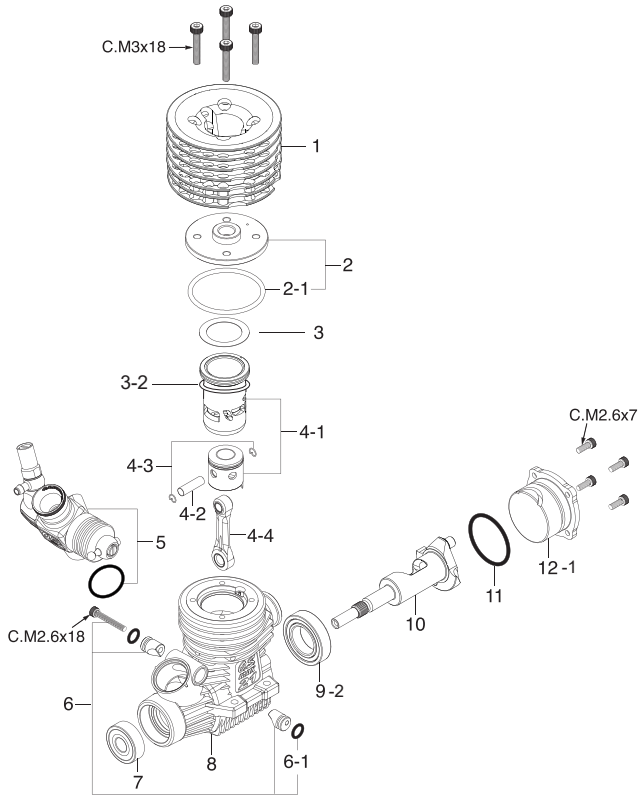




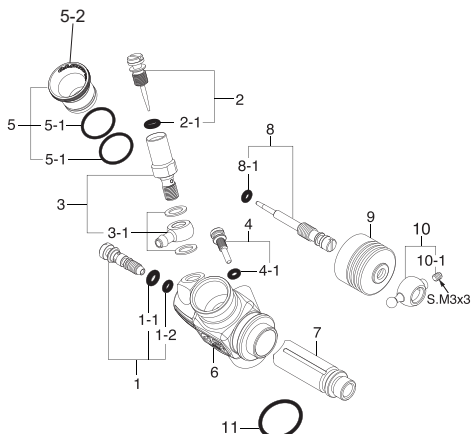
# Hasi Tuned R21 W.C. JAPAN Ed.

## ENGINE EXPLODED VIEW & PARTS LIST



| No.  | Code No.       | Description                                  |
|------|----------------|--|
| 1    | HT-2DR04009/V1 | Outer Head HASI TUNED Light Weight JAPAN Ed. |
| 2    | 2C604100       | Inner Head                                   |
| 2-1  | HT-2BN04180    | Inner Head "O" Ring (BLACK)                  |
| 3    | HT-048-16      | Head Gasket 0,10mm 16%                       |
| 3-1  | HT-048-25      | *OPT* Head Gasket 0,15mm 25%                 |
| 3-2  | HT-024         | Under Cylinder Shim 0,1mm                    |
| 4-1  | HT- 2C403009/A | Hasi Tuned Cylinder and Piston R9 AAC        |
| 4-2  | 22016000       | Piston Pin                                   |
| 4-3  | HT- 2AP17000   | Piston Pin Retainer 2 (6pcs.)                |
| 4-4  | HT-23755024    | Hasi Tuned Extra Strong Conrod               |
| 5    | 2DJ81000       | Carburetor Complete                          |
| 6    | 23981740       | Carburetor Retainer Assembly                 |
| 6-1  | 24881824       | "O" Ring (2pcs.)                             |
| 7    | 23731000       | Crankshaft Ball Bearing (Front)              |
| 7-1  | HT-016         | Hasi Tuned Swiss Front Ball Bearing Steel    |
| 8    | HT-2DJ010000   | Hasi Tuned Crankcase                         |
| 9    | 23730020       | Crankshaft Ball Bearing (Rear)               |
| 9-2  | HT-018         | Hasi Tuned Swiss Rear Ball Bearing Ceramic   |
| 10   | HT- 2DR02001   | Hasi Tuned Crankshaft V2                     |
| 11   | 23107100       | Cover Gasket                                 |
| 12-1 | HT-004         | Hasi Tuned Rear Back Plate                   |

## CARBURETOR EXPLODED VIEW & PARTS LIST



| No.  | Code No. | Description                               |
|------|----------|---|
| 1    | 22082600 | Mixture Control Valve Assembly            |
| 1-1  | 46066319 | "O" Ring (L) (2pcs.)                      |
| 1-2  | 22781800 | "O" Ring (S) (2pcs.)                      |
| 2    | 22082970 | Needle Assembly                           |
| 2-1  | 46066319 | "O" Ring (2pcs.)                          |
| 3    | 22082940 | Needle Holder Assembly                    |
| 3-1  | 22082950 | No.15 Universal Nipple Assembly           |
| 4    | 22848160 | Throttle Stop Screw                       |
| 4-1  | 27881820 | "O" Ring (S) (2pcs.)                      |
| 5-1  | 22615000 | "O" Ring (1pc.)                           |
| 5-2  | HT-010-2 | Hasi Tuned High Performance Venturi 8.5mm |
| 6    | 22082110 | Carburetor Body                           |
| 7    | 22082200 | Slide Valve                               |
| 8    | 2A081610 | Metering Needle Assembly                  |
| 8-1  | 27881820 | "O" Ring (S) (2pcs.)                      |
| 9    | 23981520 | Dust Cover                                |
| 10   | 23781400 | Ball Link No.3                            |
| 10-1 | 26381501 | Set Screw (1pc.)                          |
| 11   | 29015019 | Carburetor Rubber Gasket                  |