



opk E-SPACE

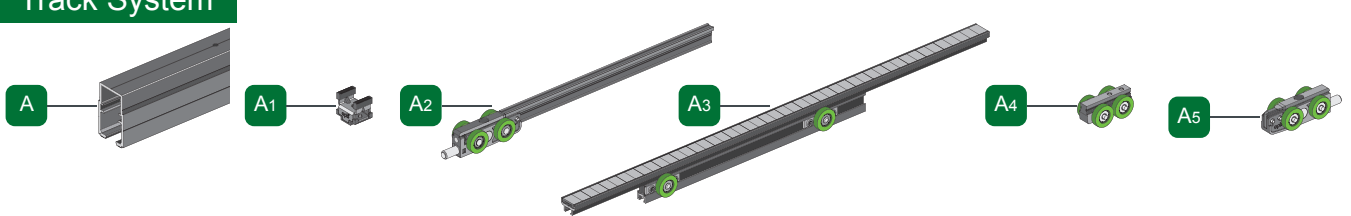
*Montage- und Bedienungsanleitung
Mounting- and Operating Instructions*

Inhaltsverzeichnis

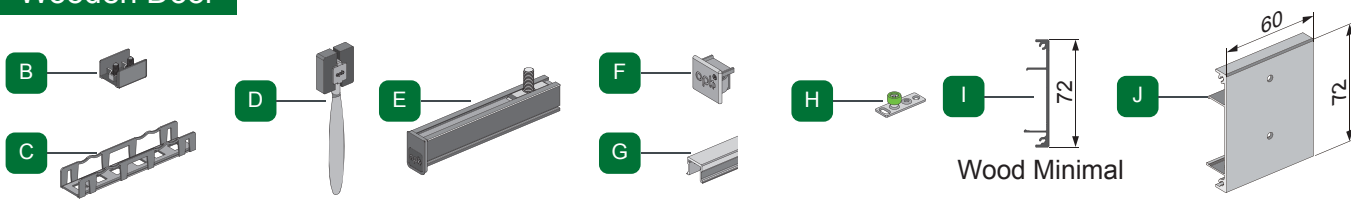
Table of Contents

Anwendungsmöglichkeiten, Maßvorgaben, Maßberechnung	Page 1
<i>Possible applications, dimensions, dimension calculation</i>	
Türen Holz, Glas	Page 3
<i>doors wood / glass</i>	
Einstellung breite Türe	Page 5
<i>Adjustment wider door panel</i>	
Einstellung schmale Türe	Page 5
<i>Adjustment narrower door panel</i>	
Einzelne Türe	Page 7
<i>Single system</i>	
Türen synchro	Page 8
<i>double system</i>	

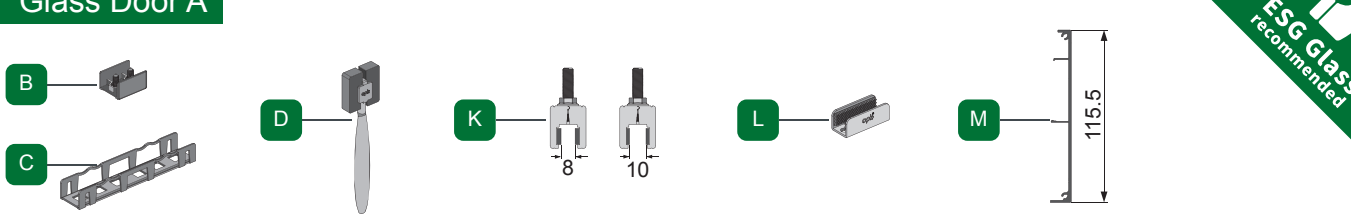
Track System



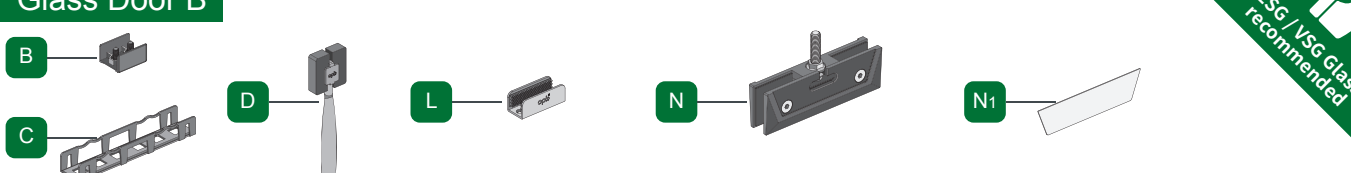
Wooden Door

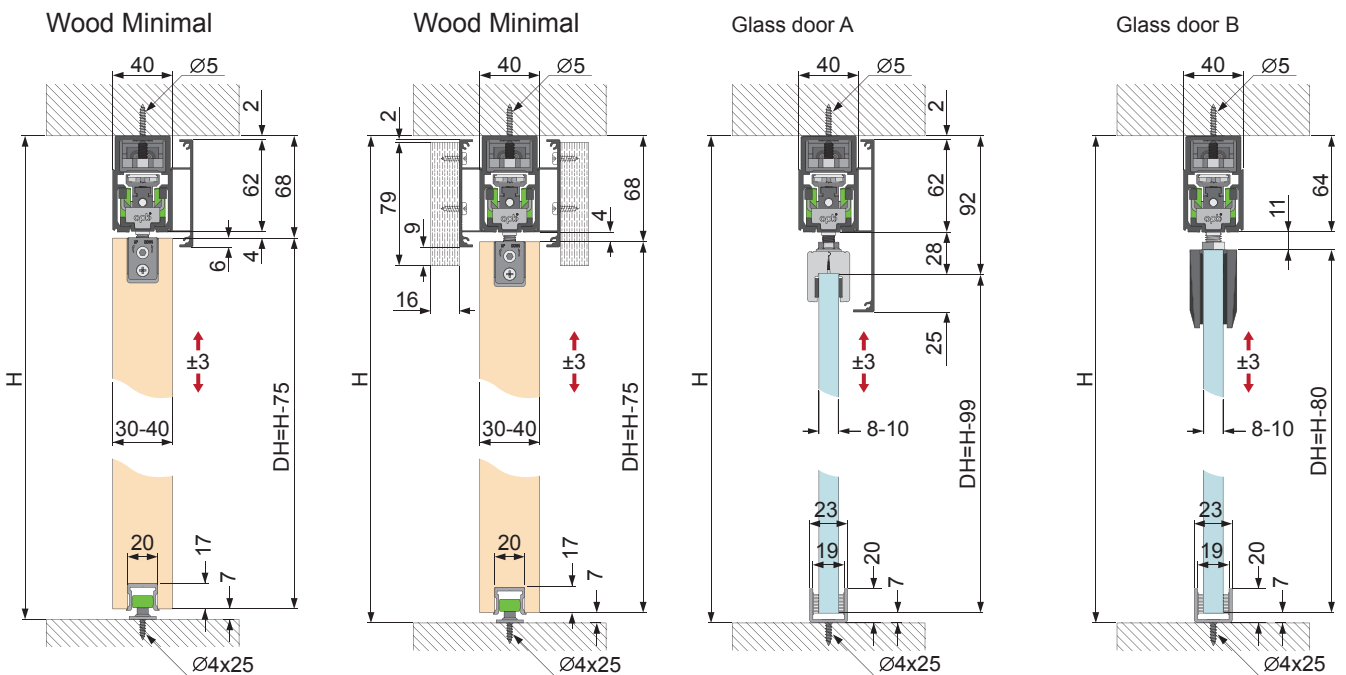


Glass Door A

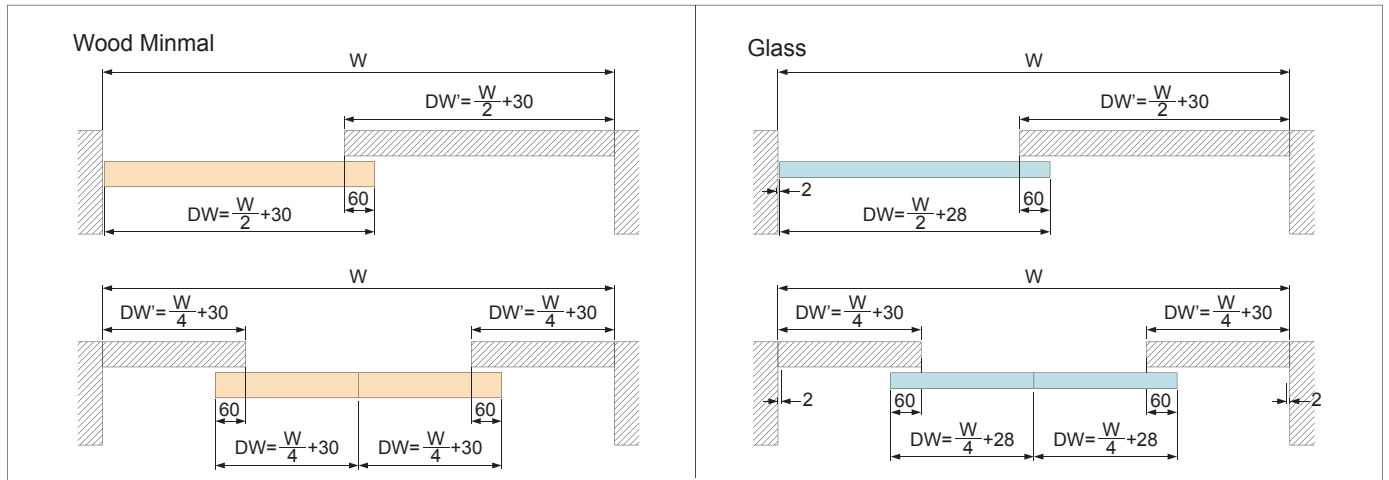


Glass Door B





Schiene Länge L Track length L	Lichtes Einbaumaß Door opening size W	Türbreite DW Door width DW
2000	1400-2000	730~1030
2700	2000-2700	1030~1380
3400	2700-3400	1380~1730



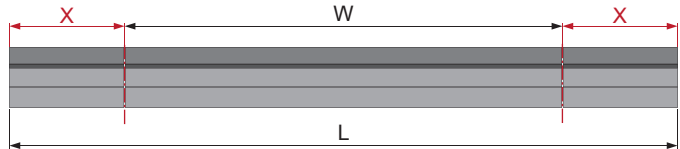
1 Single system / Schiene

! Immer auf beiden Seiten die gleiche Länge abschneiden, wenn die Schiene zu lang ist
When the track system is too long then both sides need to be cut to the same length X

Schiene Länge L Track length L	Lichtes Einbaumaß Door opening size W
2000	1400~2000
2700	2000~2700
3400	2700~3400

$$X = (L - W) / 2$$

Note:
X: the length of cutting at both sides
L: the track length delivered
W: the door opening



Double systems / Schienen (synchro system)

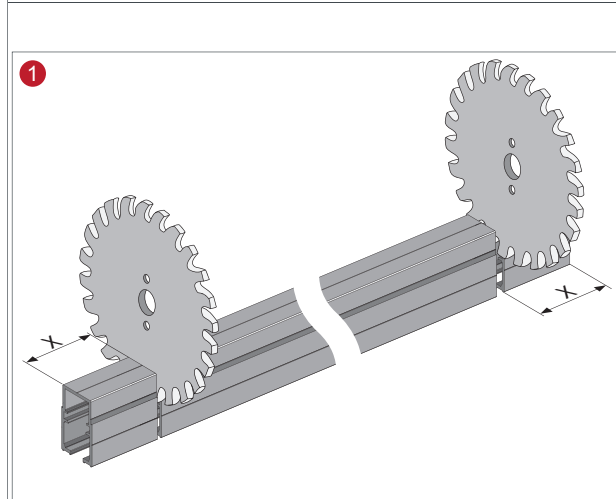
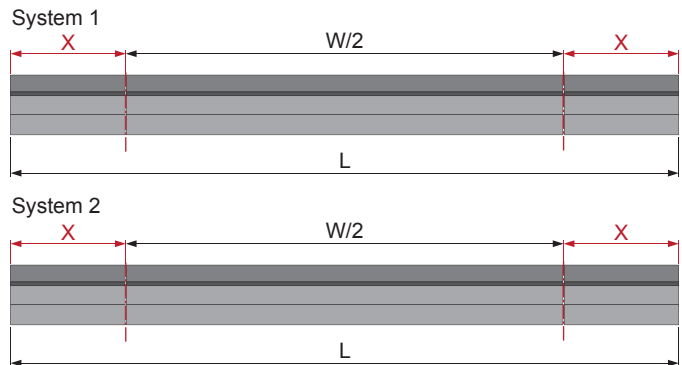
! Immer auf beiden Seiten die gleiche Länge abschneiden, wenn die Schiene zu lang ist
When the track system is too long then both sides need to be cut to the same length X

! An beiden Schienen die gleiche Länge X jeweils abschneiden (4x schneiden)
Track System 1 and Track System 2 need to be cut to the same length X

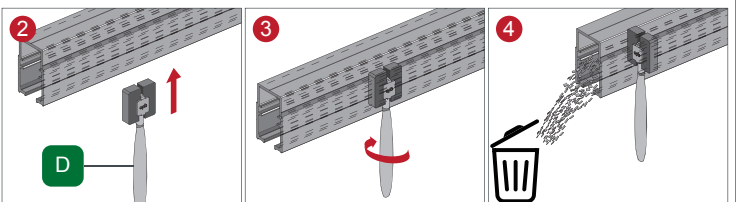
Schiene Länge L Track length L	Lichtes Einbaumaß Door opening size W
2000 / 2000	2800~4000
2700 / 2700	4000~5400
3400 / 3400	5400~6800

$$X = (L - W) / 2$$

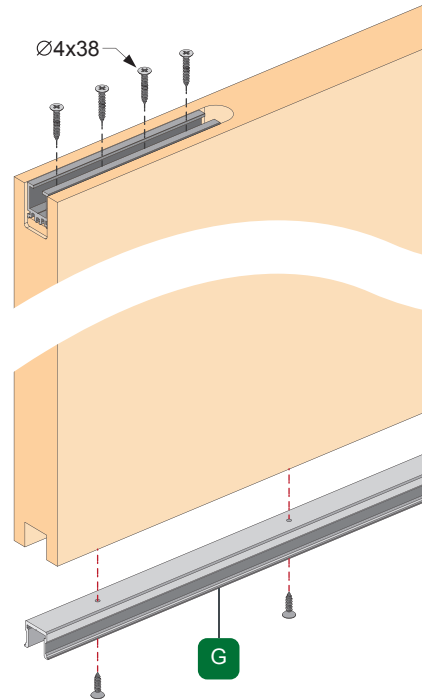
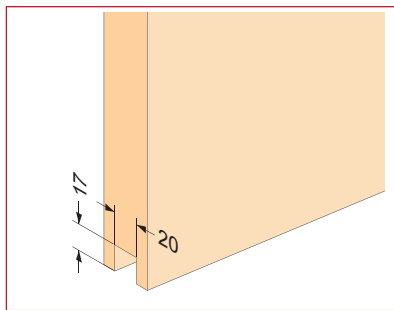
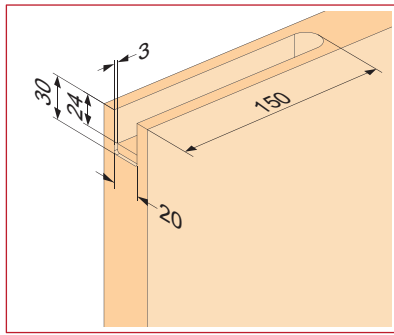
Note:
X: the length of cutting at both sides
L: the track length delivered
W: the door opening



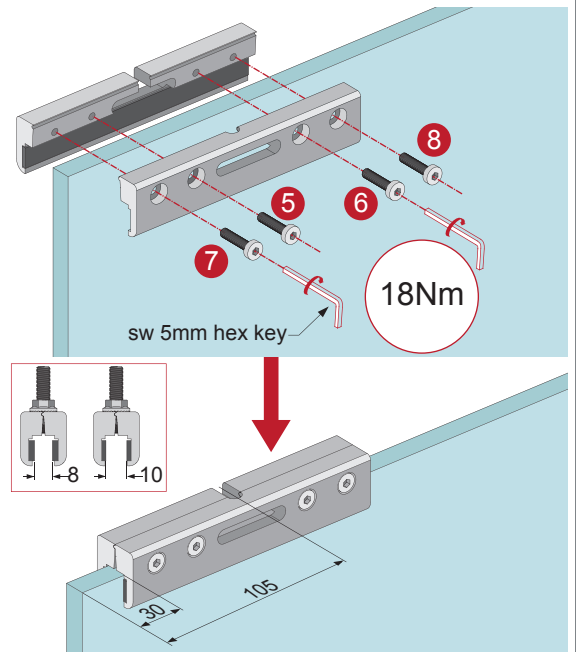
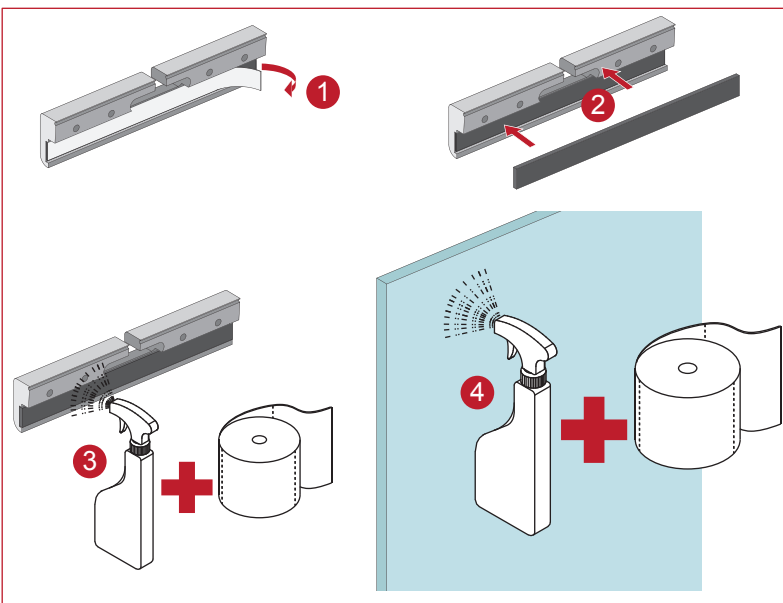
! Please use the cleaning brush to clean the aluminum scraps generated after cutting the track, to keep the inside of the track clean



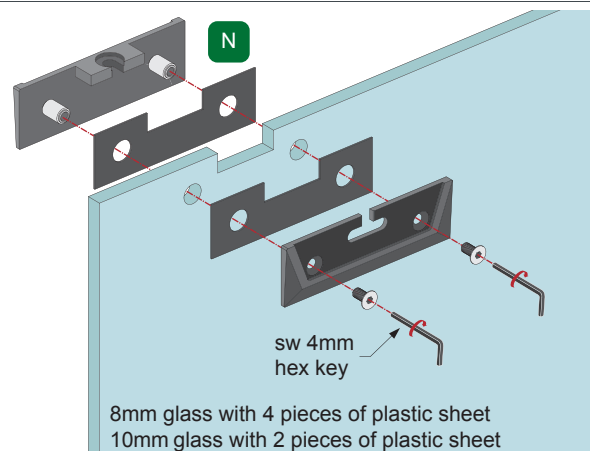
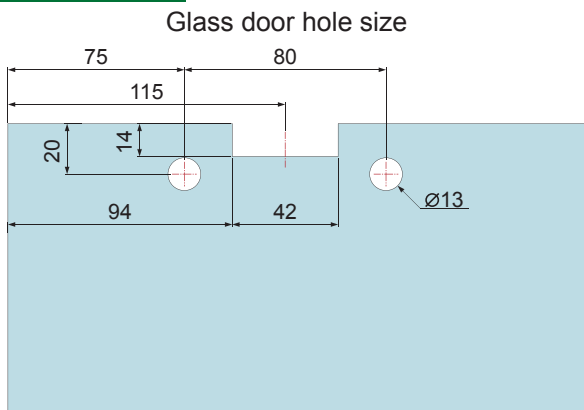
2 Wood Minimal



Glass door A



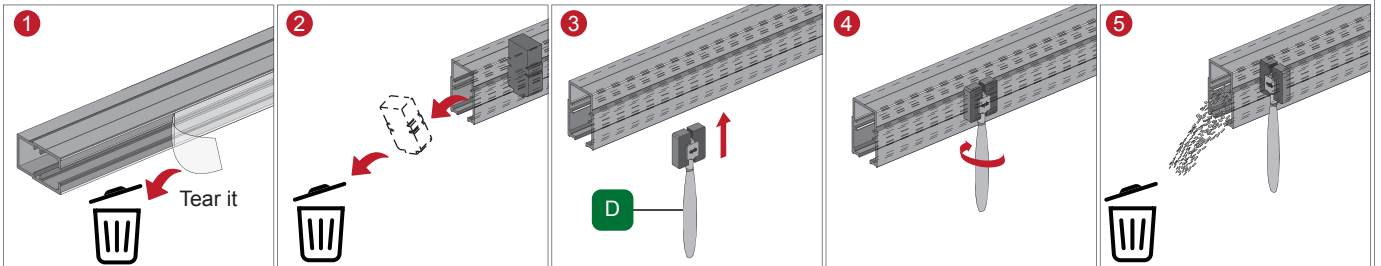
Glass door B



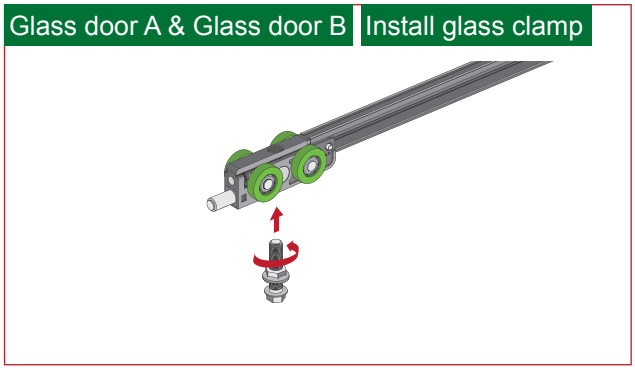
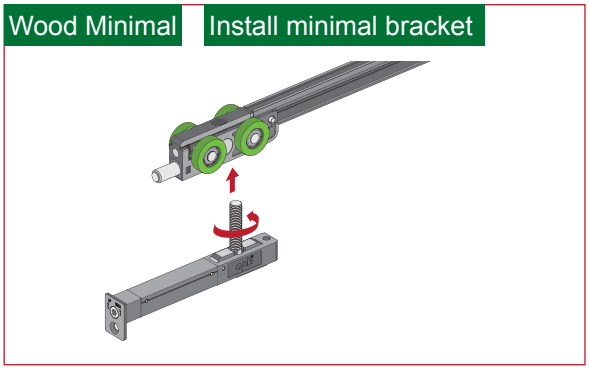
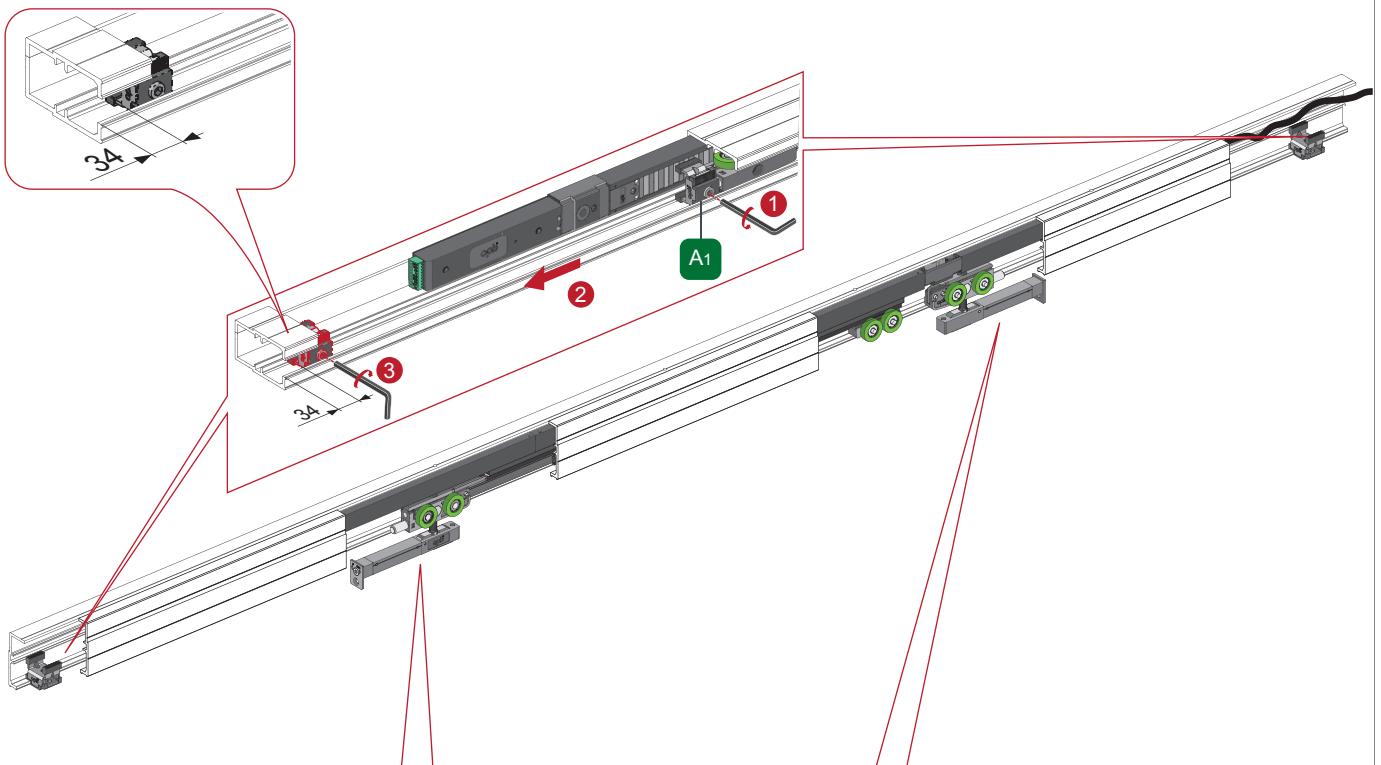
3 Clean the track



Clean the track with a cleaning brush, keep the inside of the track clean

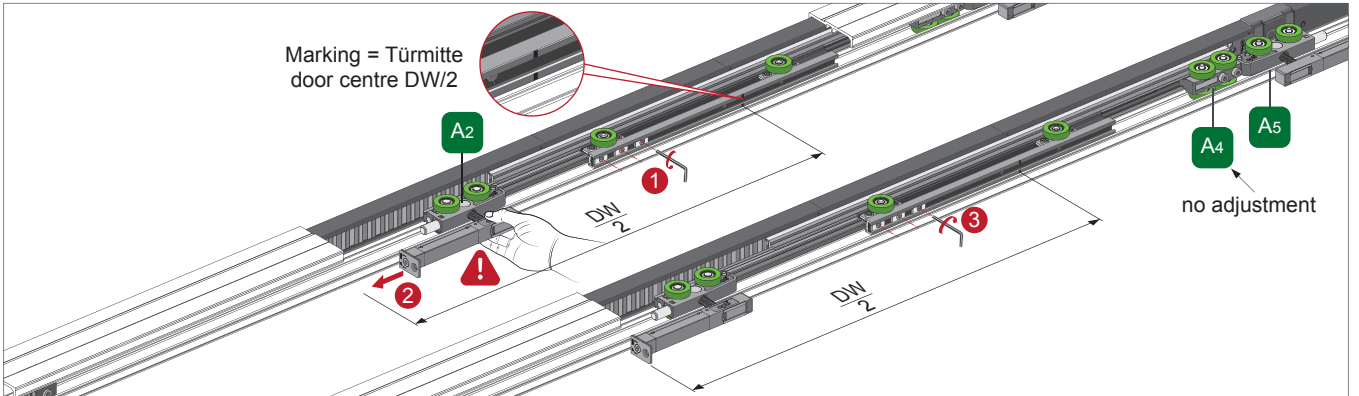
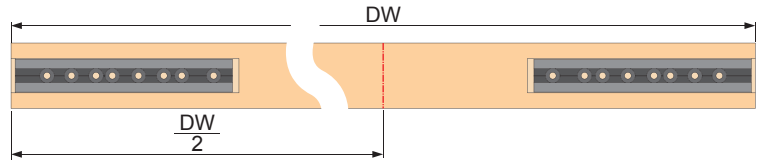


4



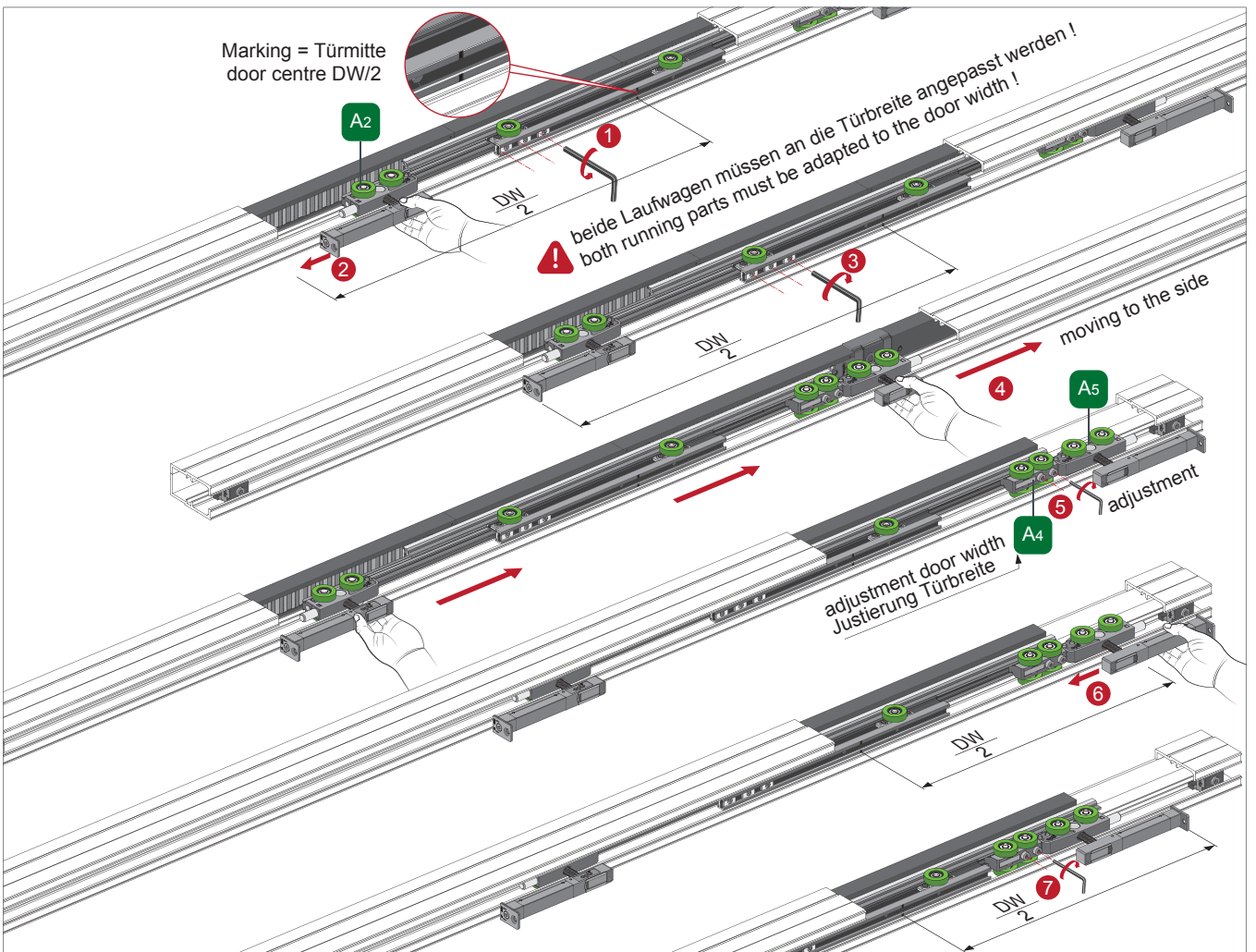
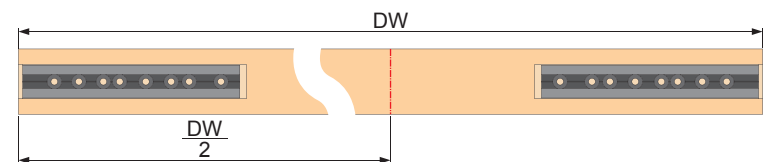
5-A Einstellung für eine breitere Tür / Adjustment for a wider door panel

Schienenlänge L Track length L	Lichtes Einbaumaß Door opening size W	Türbreite Door width DW
2000	1400-2000	865~1030
2700	2000-2700	1215~1380
3400	2700-3400	1550~1730



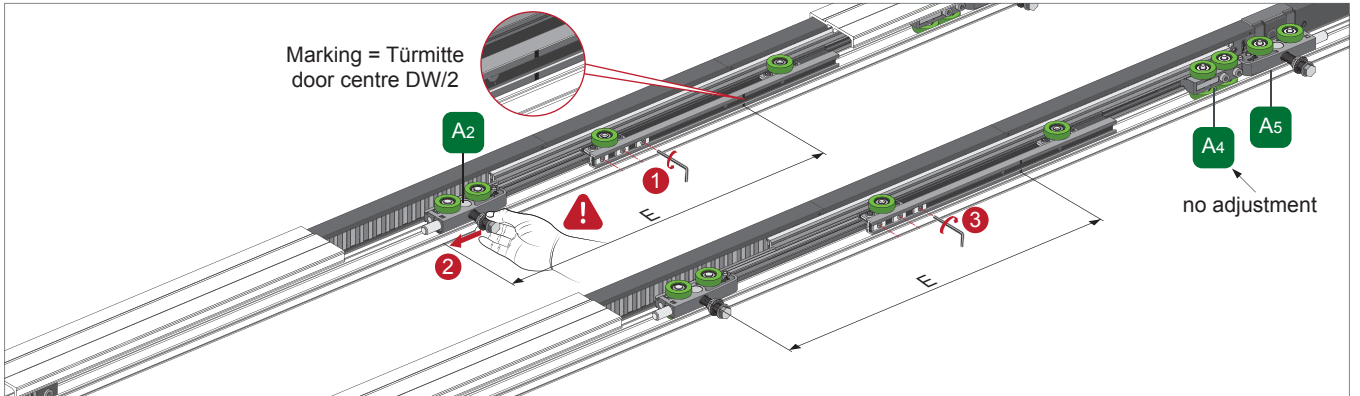
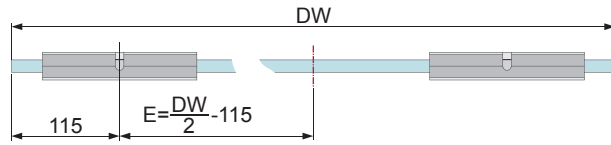
Einstellung für eine schmalere Tür / Adjustment for a narrower door panel

Schienenlänge L Track length L	Lichtes Einbaumaß Door opening size W	Türbreite Door width DW
2000	1400-2000	730~865
2700	2000-2700	1030~1215
3400	2700-3400	1380~1550



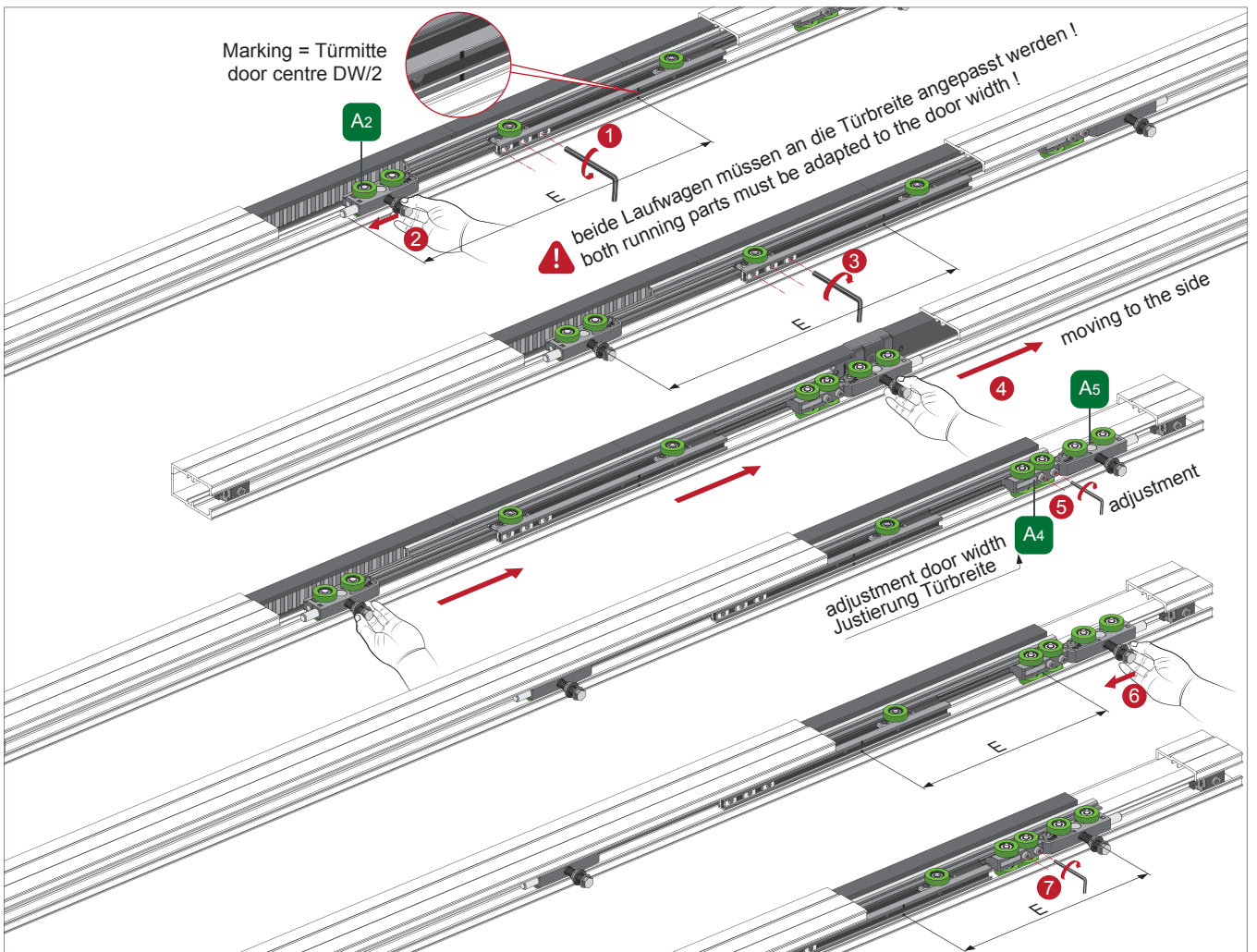
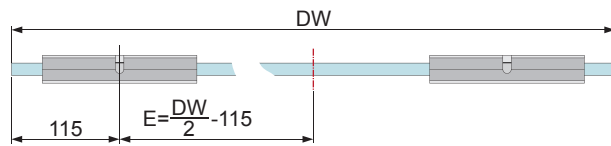
5-B Einstellung für eine breitere Tür / Adjustment for a wider door panel

Schienenlänge L Track length L	Lichtes Einbaumaß Door opening size W	Türbreite Door width DW
2000	1400-2000	865~1030
2700	2000-2700	1215~1380
3400	2700-3400	1550~1730

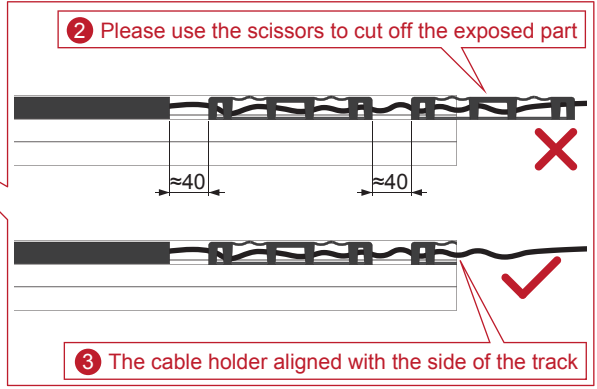
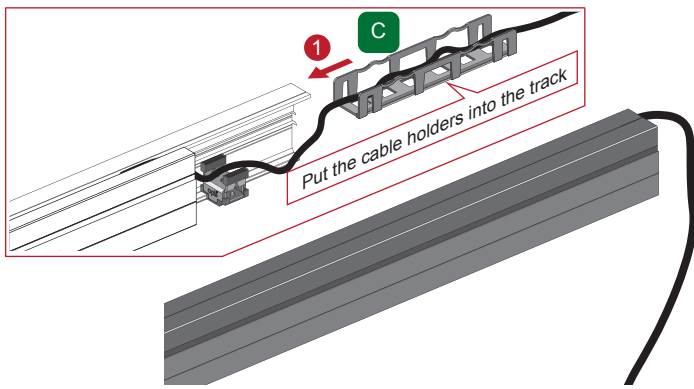


Einstellung für eine schmalere Tür / Adjustment for a narrower door panel

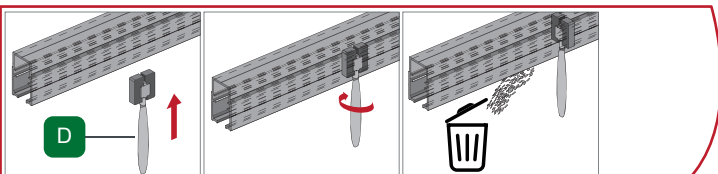
Schienenlänge L Track length L	Lichtes Einbaumaß Door opening size W	Türbreite Door width DW
2000	1400-2000	730~865
2700	2000-2700	1030~1215
3400	2700-3400	1380~1550



6 Install cable holder Single system / Schiene



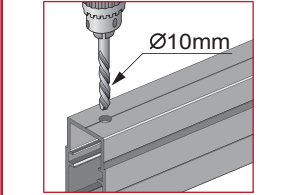
7 Install track system Single system / Schiene



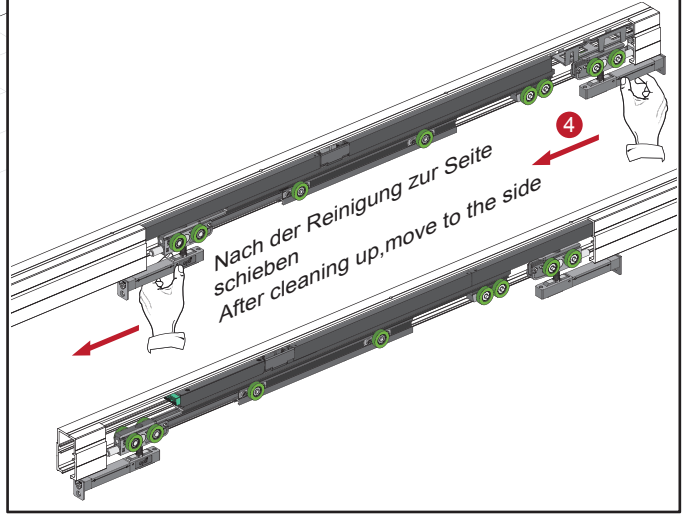
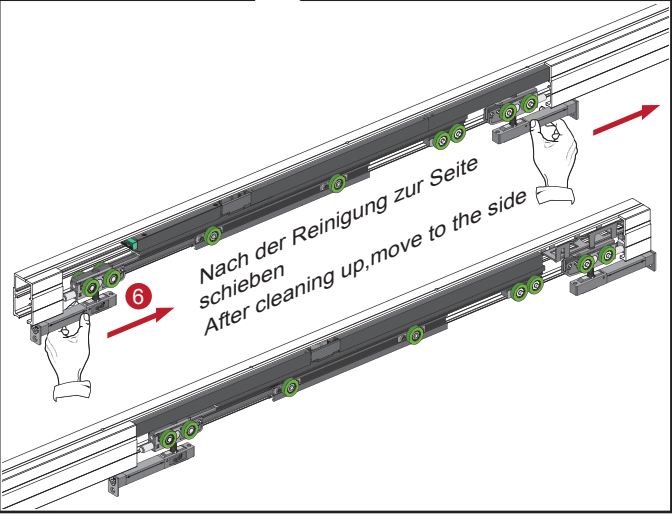
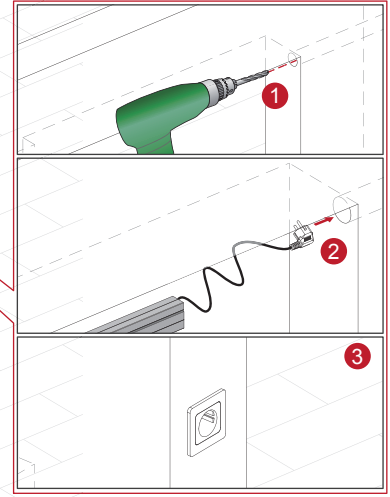
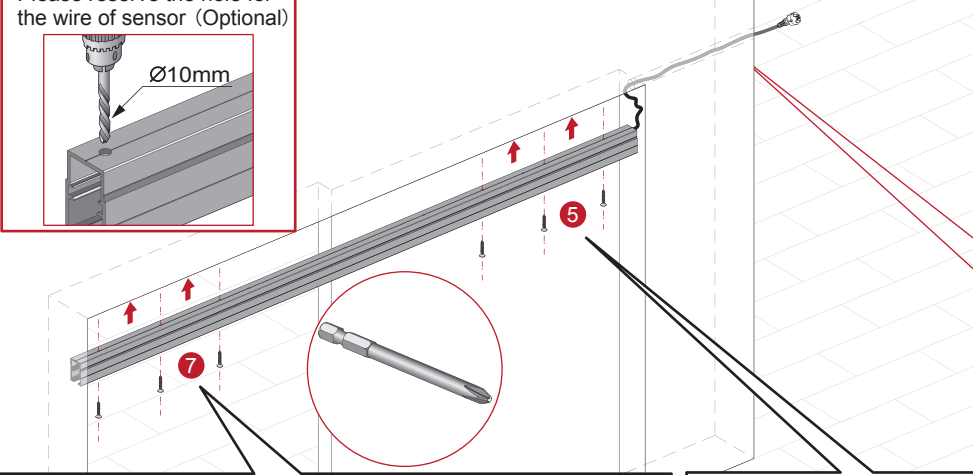
Nach der Schienenmontage bitte die Schiene reinigen, bevor diese in Betrieb genommen wird
 After finishing the screw fixing, please clean the track with a cleaning brush to ensure that the inside of the track is clean before the wheel is moved.



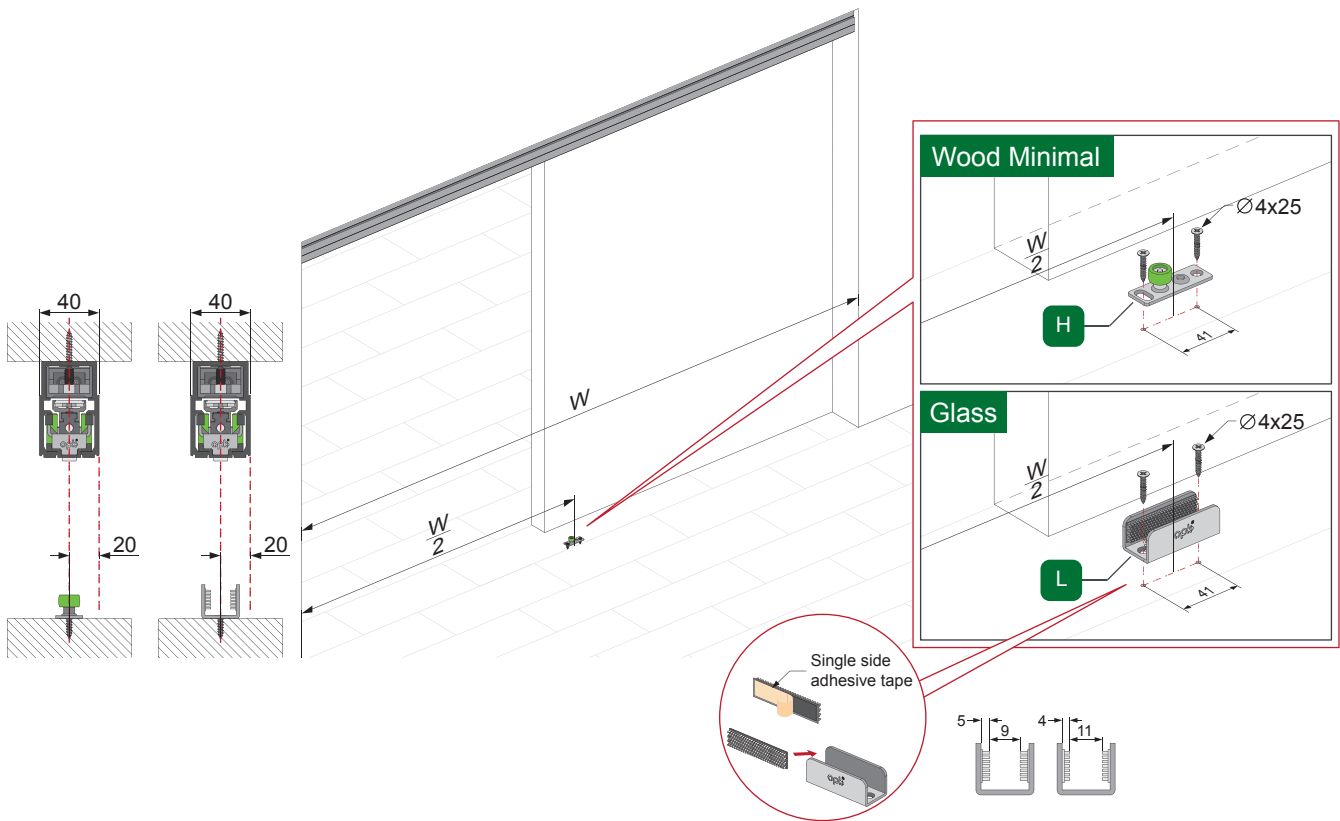
Please reserve the hole for the wire of sensor (Optional)



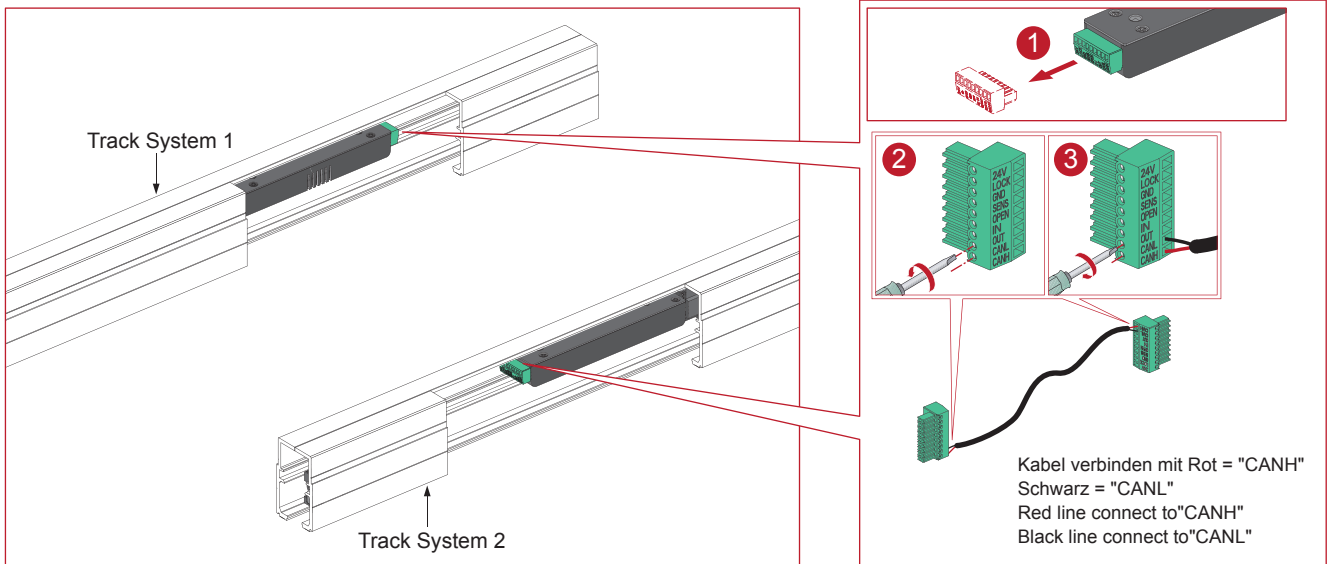
- bitte achten Sie darauf, dass**
- keines der elektrischen Bauteile beschädigt wird
 - das Anschlusskabel bei allen Arbeiten an der Schiene vom Stromnetz getrennt ist
- Attention**
- Do not scratch or break the power cable to avoid electric shock;
 - Do not connect the power when installing the product;



8



9 Double systems / Schienen (synchro system)



10 Double systems / Schienen (synchro system) Install track system 1

1 Refer to step 6 on page 7 to install track system 1

2 Refer to step 9 on page 8 to install track system 1

3 Install the cable holders on the both side of the track

4 Refer to step 6 on page 7 to install track system 1

Please reserve the hole for the wire of sensor (Optional)

Ø10mm

Smart sensor and sensor can be used for both single track and double track.

Please reserve the hole for the wire of the smart sensor (Optional)

1200mm

track system 1

11 Double systems / Schienen (synchro system) Install track system 2

1 Refer to step 6 to install the cable holders

2 Put one connector to both tracks and fix it

3 Refer to step 7 to install the track system 2

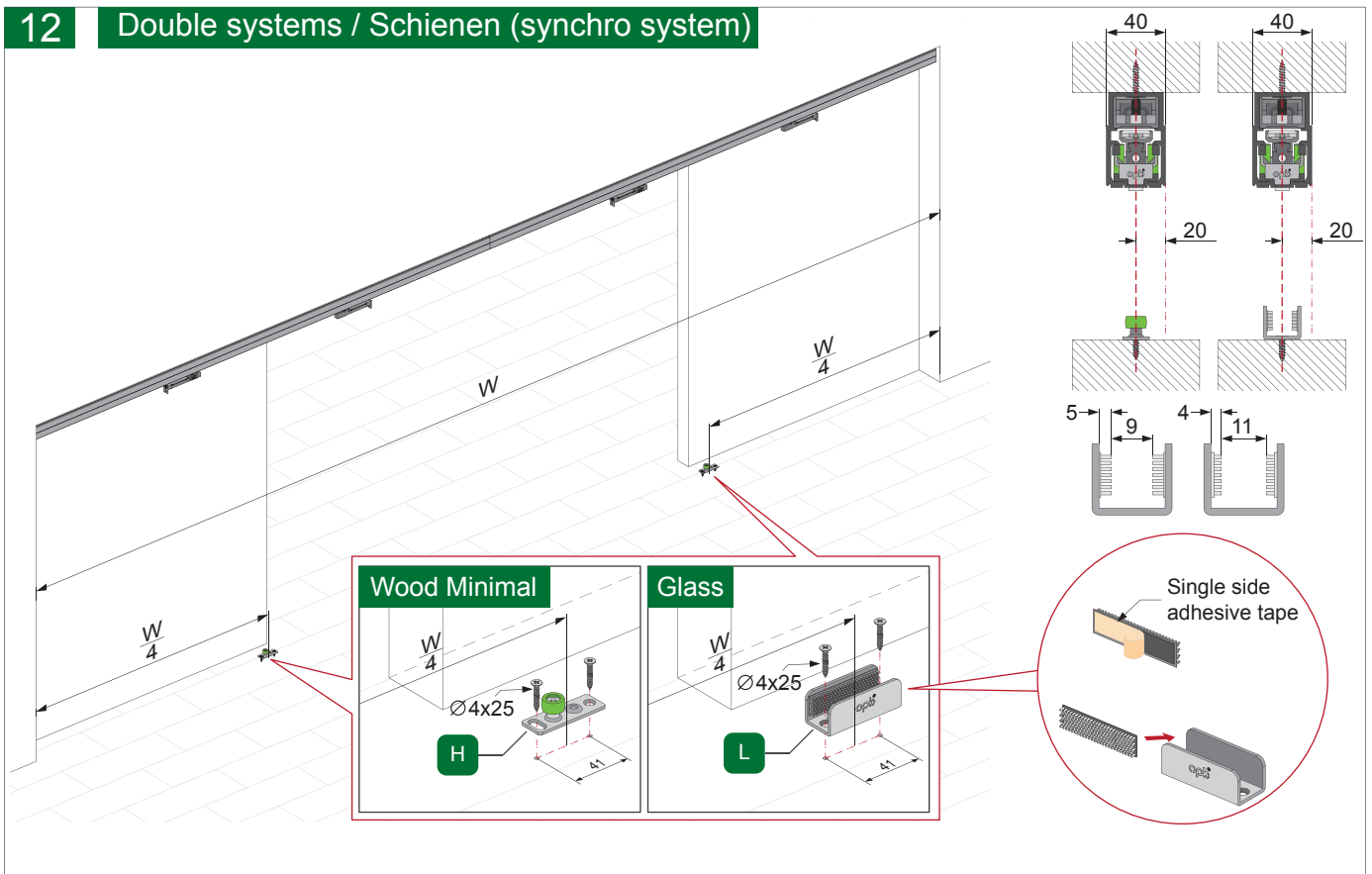
4 Distribute the position of the cable holders

5 Install the cable holders on the both side of the track

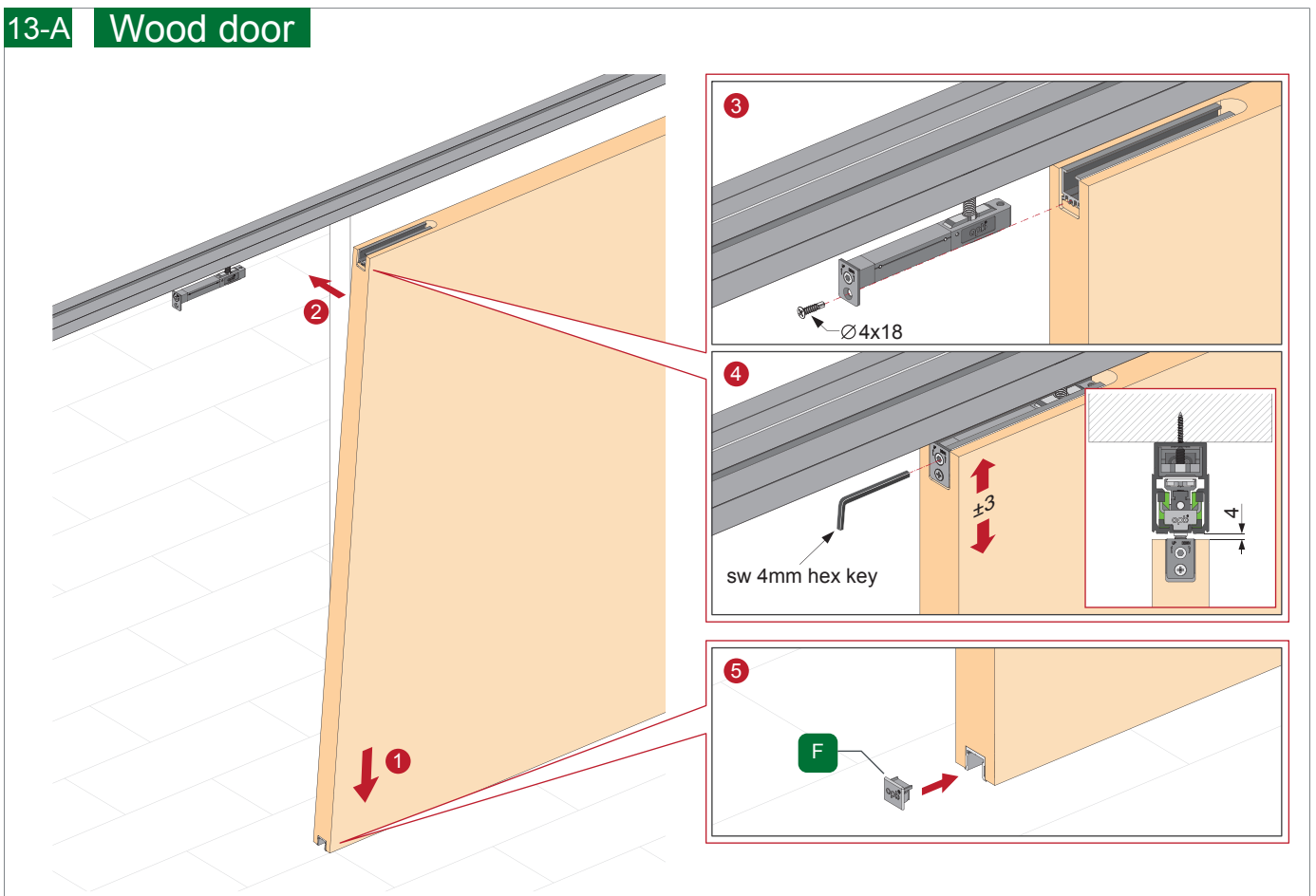
track system 2

6 Distribute the position of the cable holders

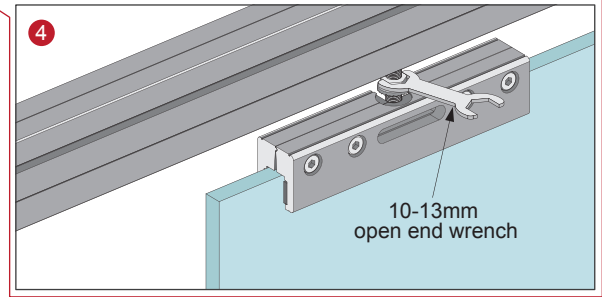
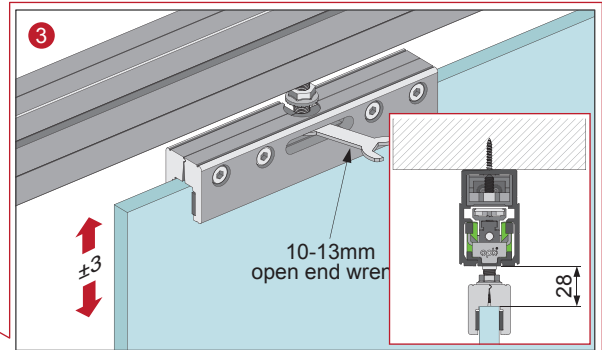
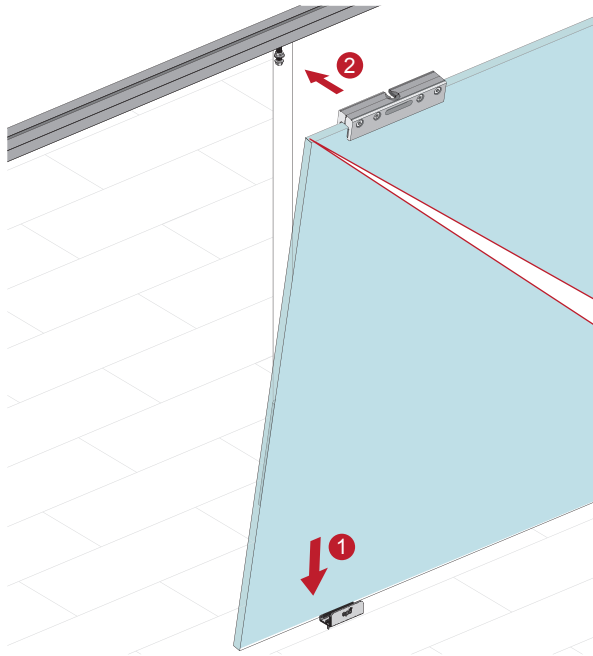
12 Double systems / Schienen (synchro system)



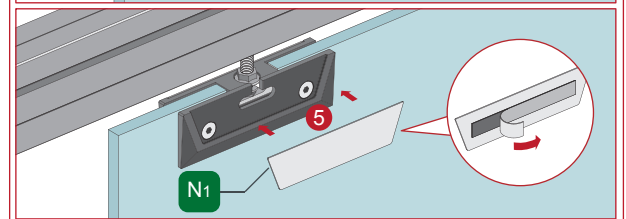
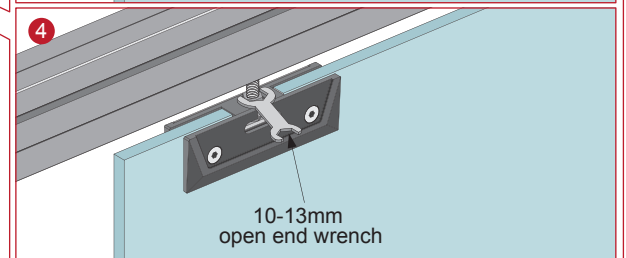
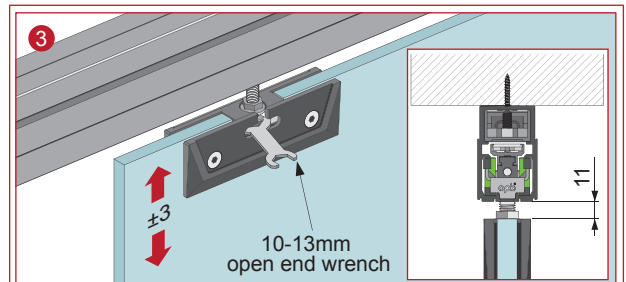
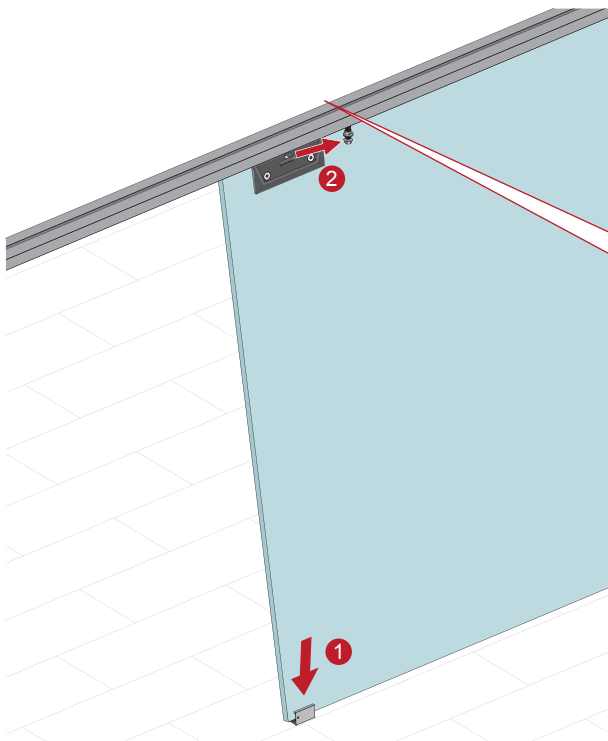
13-A Wood door



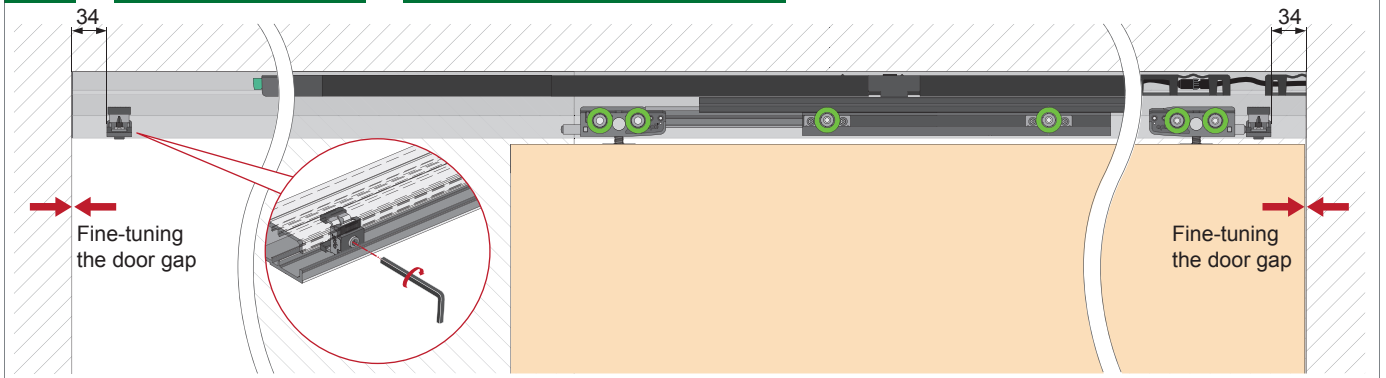
13-B Glass door A



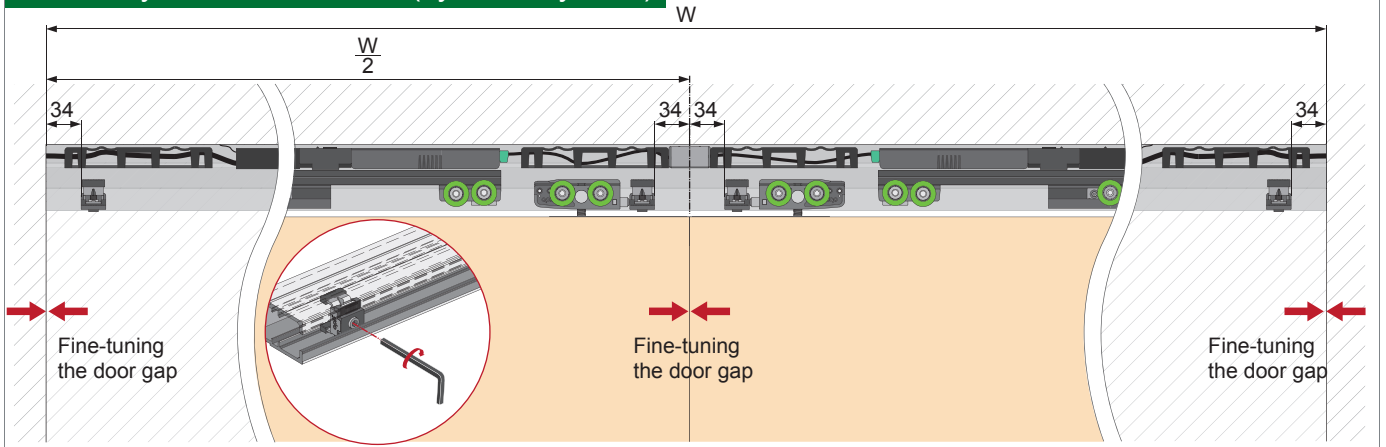
13-C Glass door B



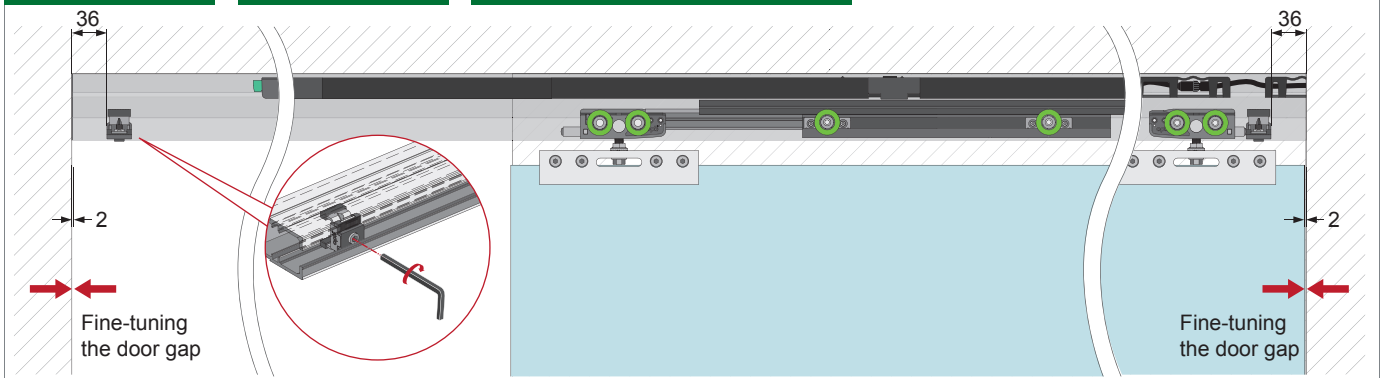
14 Wood Minimal Single system / Schiene



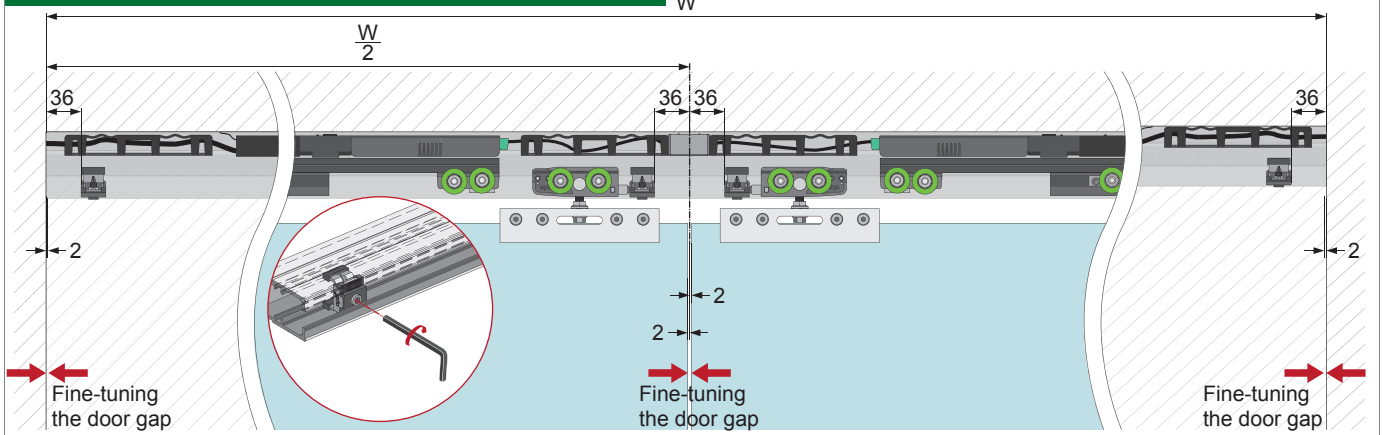
Double systems / Schienen (synchro system)



Glass door A Glass door B Single system / Schiene

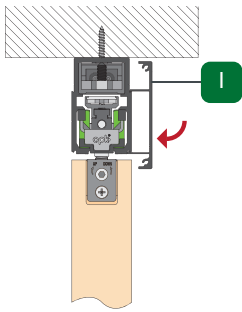


Double systems / Schienen (synchro system)

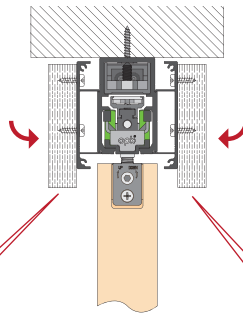


15

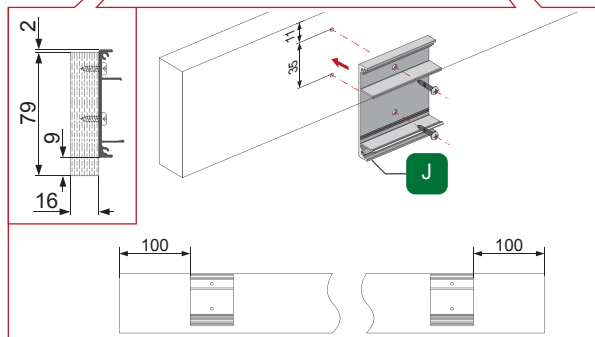
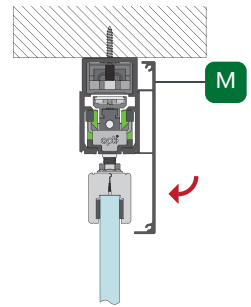
Wood Minimal



Wood Minimal



Glass



16

Power-on

System self-learning

plug & play, bei Strom an, lernt sich das System selbständig ein

