


I'm not robot  reCAPTCHA

**I am not robot!**

# Kenmore ultra wash dishwasher model 665 dimensions

## Kenmore 665 dishwasher dimensions. How do i clean the filter on my kenmore dishwasher model 665.

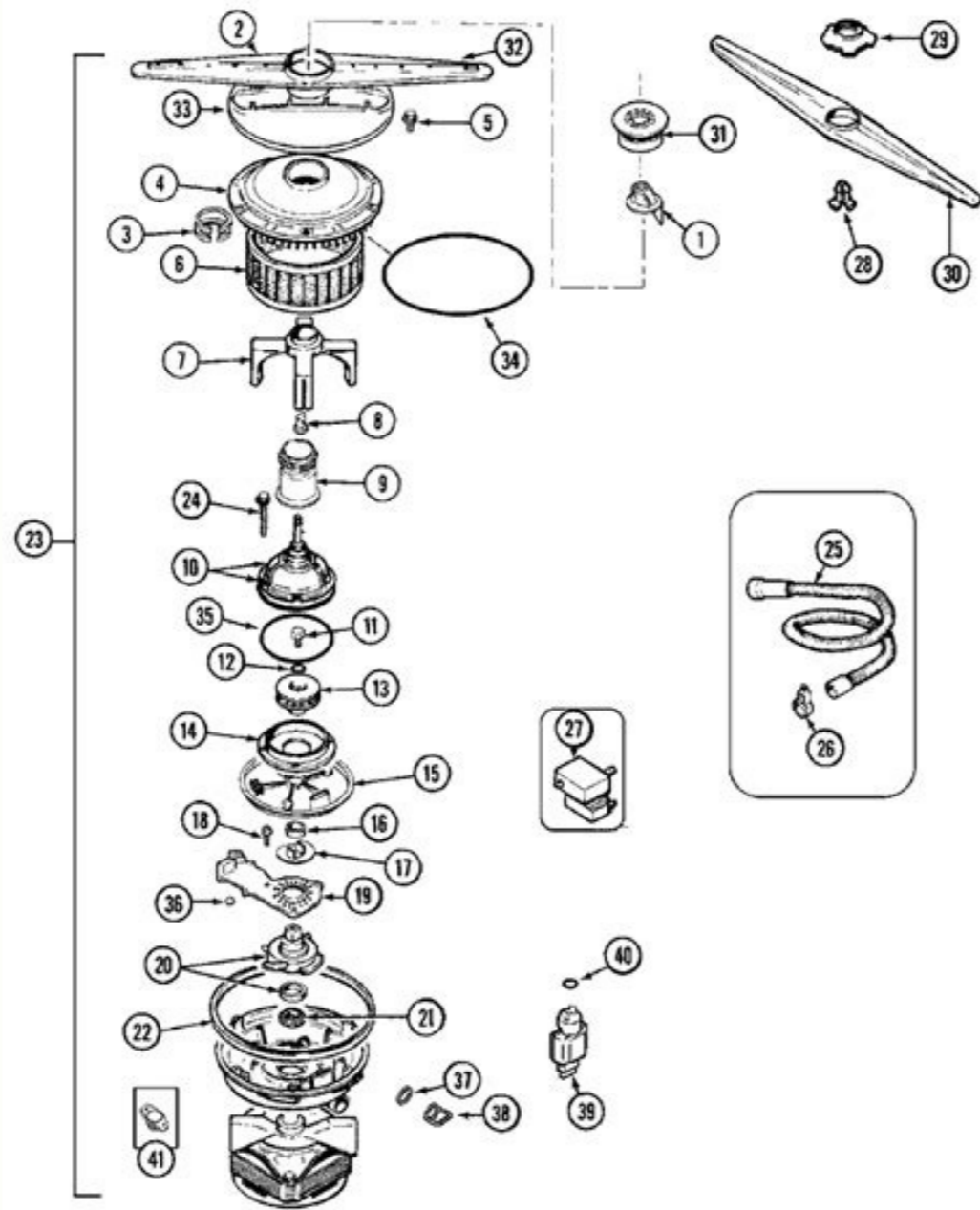
Scan this QR code to download the app now Or check it out in the app stores. © @P/N W10836340A Sears Brands Management Corporation Hoffman Estates, IL 60179 U.S.A. www.kenmore.com www.sears.com Sears Canada Inc. Toronto, Ontario, Canada M5B 2C3 www.sears.ca Are you looking for a reliable dishwasher for your home? The Kenmore dishwasher model 665 is an excellent choice to consider. In this article, we will provide you with a comprehensive guide on this dishwasher model. You'll learn about its features, specifications, installation, maintenance, troubleshooting, and much more. The Kenmore dishwasher model 665 is a top-rated dishwasher that has been in the market for a long time. This dishwasher is manufactured by Kenmore, a reputable brand known for producing high-quality home appliances. The model 665 is a built-in dishwasher designed to fit under a standard kitchen counter. This dishwasher has a sleek design and is available in different colors, including white, black, and stainless steel. The Kenmore dishwasher model 665 is Energy Star certified, which means it meets strict energy efficiency guidelines set by the US Environmental Protection Agency (EPA). This dishwasher uses less energy and water, making it an excellent choice for environmentally conscious homeowners. This dishwasher operates quietly, thanks to its sound insulation system. You can run it even at night without disturbing your household. The Kenmore dishwasher model 665 has a spacious interior that can hold up to 14 place settings. It has adjustable racks and a removable silverware basket, making it easy to load and unload dishes. This dishwasher has SmartWash technology, which automatically senses the soil level of your dishes and adjusts the wash cycle accordingly. This feature ensures that your dishes are cleaned thoroughly without wasting water or energy. Read Also: KitchenAid Dishwasher Not Draining? Here's What to Do! Now let's discuss the various parts of a Kenmore dishwasher 665: The dishwasher motor is responsible for driving the spray arm and pump, ensuring the dishwasher operates effectively. If the motor is faulty, the dishwasher may not function correctly. Kenmore offers a range of dishwasher motor parts that are easy to install and replace. The spray arm distributes water throughout the dishwasher to clean dishes effectively. Over time, the spray arm may become clogged or damaged, resulting in poor cleaning performance. Kenmore offers a variety of spray arm replacement parts for the Kenmore dishwasher 665. The dishwasher pump is responsible for pumping water through the dishwasher's spray arm to clean dishes. If the pump is faulty, the dishwasher may not clean dishes correctly. Kenmore offers a range of dishwasher pump parts that are easy to install and replace. The control panel is the interface that allows you to control the dishwasher's settings. If the control panel is faulty, you may not be able to control the dishwasher correctly. Kenmore offers a range of dishwasher control panel parts that are easy to install and replace. The detergent dispenser releases the detergent during the wash cycle. If the dispenser is faulty, the dishwasher may not clean dishes correctly. Kenmore offers a range of dishwasher detergent dispenser parts that are easy to install and replace. The water inlet valve controls the flow of water into the dishwasher. If the valve is faulty, the dishwasher may not fill with water correctly. Kenmore offers a range of dishwasher water inlet valve parts that are easy to install and replace. The dishwasher rack holds the dishes during the wash cycle. Over time, the rack may become damaged, resulting in poor cleaning performance. Kenmore offers a range of dishwasher rack replacement parts for the Kenmore dishwasher 665. The heating element is responsible for heating the water during the wash cycle.



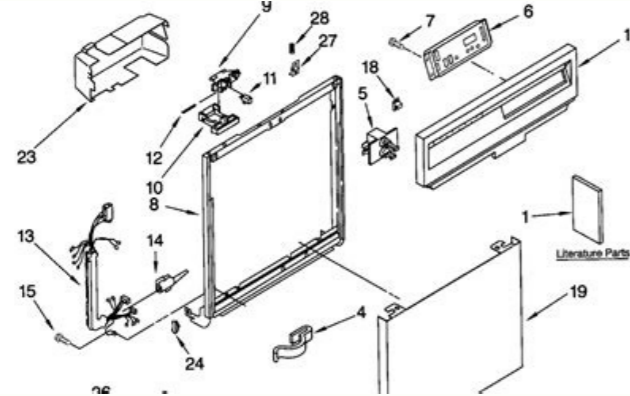
This dishwasher has a sleek design and is available in different colors, including white, black, and stainless steel. The Kenmore dishwasher model 665 is equipped with various features that make it stand out from other dishwashers. Here are some of its key features: This dishwasher has different wash cycles to choose from, including heavy, normal, light, and quick wash. The heavy cycle is perfect for cleaning heavily soiled dishes, while the light cycle is suitable for washing delicate items. The Kenmore dishwasher model 665 is Energy Star certified, which means it meets strict energy efficiency guidelines set by the US Environmental Protection Agency (EPA). This dishwasher uses less energy and water, making it an excellent choice for environmentally conscious homeowners. This dishwasher operates quietly, thanks to its sound insulation system. You can run it even at night without disturbing your household. The Kenmore dishwasher model 665 has a spacious interior that can hold up to 14 place settings. It has adjustable racks and a removable silverware basket, making it easy to load and unload dishes. This dishwasher has SmartWash technology, which automatically senses the soil level of your dishes and adjusts the wash cycle accordingly. This feature ensures that your dishes are cleaned thoroughly without wasting water or energy. Read Also: KitchenAid Dishwasher Not Draining? Here's What to Do! Now let's discuss the various parts of a Kenmore dishwasher 665: The dishwasher motor is responsible for driving the spray arm and pump, ensuring the dishwasher operates effectively. If the motor is faulty, the dishwasher may not function correctly. Kenmore offers a range of dishwasher motor parts that are easy to install and replace. The spray arm distributes water throughout the dishwasher to clean dishes effectively. Over time, the spray arm may become clogged or damaged, resulting in poor cleaning performance. Kenmore offers a variety of spray arm replacement parts for the Kenmore dishwasher 665. The dishwasher pump is responsible for pumping water through the dishwasher's spray arm to clean dishes.



The heavy cycle is perfect for cleaning heavily soiled dishes, while the light cycle is suitable for washing delicate items. The Kenmore dishwasher model 665 is Energy Star certified, which means it meets strict energy efficiency guidelines set by the US Environmental Protection Agency (EPA). This dishwasher uses less energy and water, making it an excellent choice for environmentally conscious homeowners. This dishwasher operates quietly, thanks to its sound insulation system. You can run it even at night without disturbing your household. The Kenmore dishwasher model 665 has a spacious interior that can hold up to 14 place settings. It has adjustable racks and a removable silverware basket, making it easy to load and unload dishes. This dishwasher has SmartWash technology, which automatically senses the soil level of your dishes and adjusts the wash cycle accordingly. This feature ensures that your dishes are cleaned thoroughly without wasting water or energy. Read Also: KitchenAid Dishwasher Not Draining? Here's What to Do! Now let's discuss the various parts of a Kenmore dishwasher 665: The dishwasher motor is responsible for driving the spray arm and pump, ensuring the dishwasher operates effectively. If the motor is faulty, the dishwasher may not function correctly. Kenmore offers a range of dishwasher motor parts that are easy to install and replace. The spray arm distributes water throughout the dishwasher to clean dishes effectively.



It has adjustable racks and a removable silverware basket, making it easy to load and unload dishes. This dishwasher has SmartWash technology, which automatically senses the soil level of your dishes and adjusts the wash cycle accordingly. This feature ensures that your dishes are cleaned thoroughly without wasting water or energy. Read Also: KitchenAid Dishwasher Not Draining? Here's What to Do! Now let's discuss the various parts of a Kenmore dishwasher 665: The dishwasher motor is responsible for driving the spray arm and pump, ensuring the dishwasher operates effectively. If the motor is faulty, the dishwasher may not function correctly. Kenmore offers a range of dishwasher motor parts that are easy to install and replace. The spray arm distributes water throughout the dishwasher to clean dishes effectively. Over time, the spray arm may become clogged or damaged, resulting in poor cleaning performance. Kenmore offers a variety of spray arm replacement parts for the Kenmore dishwasher 665. The dishwasher pump is responsible for pumping water through the dishwasher's spray arm to clean dishes. If the pump is faulty, the dishwasher may not clean dishes correctly. Kenmore offers a range of dishwasher pump parts that are easy to install and replace. The control panel is the interface that allows you to control the dishwasher's settings. If the control panel is faulty, you may not be able to control the dishwasher correctly. Kenmore offers a range of dishwasher control panel parts that are easy to install and replace. The detergent dispenser releases the detergent during the wash cycle. If the dispenser is faulty, the dishwasher may not clean dishes correctly. Kenmore offers a range of dishwasher detergent dispenser parts that are easy to install and replace. The water inlet valve controls the flow of water into the dishwasher. If the valve is faulty, the dishwasher may not fill with water correctly. Kenmore offers a range of dishwasher water inlet valve parts that are easy to install and replace. The dishwasher rack holds the dishes during the wash cycle. Over time, the rack may become damaged, resulting in poor cleaning performance. Kenmore offers a range of dishwasher rack replacement parts for the Kenmore dishwasher 665. The heating element is responsible for heating the water during the wash cycle. If the element is faulty, the dishwasher may not clean dishes correctly. Kenmore offers a range of dishwasher heating element parts that are easy to install and replace. The door latch assembly holds the dishwasher door closed during the wash cycle. If the assembly is faulty, the dishwasher may not function correctly. Kenmore offers a range of dishwasher door latch assembly parts. The dishwasher float is responsible for monitoring the water level in the dishwasher. If the float is faulty, the dishwasher may not fill with water correctly. Kenmore offers a range of dishwasher float parts that are easy to install and replace. Read Also: Dishwasher Not Getting Water: Troubleshooting Guide The door seal prevents water from leaking out of the dishwasher during the wash cycle.



Here are some of its key features: This dishwasher has different wash cycles to choose from, including heavy, normal, light, and quick wash. The heavy cycle is perfect for cleaning heavily soiled dishes, while the light cycle is suitable for washing delicate items. The Kenmore dishwasher model 665 is Energy Star certified, which means it meets strict energy efficiency guidelines set by the US Environmental Protection Agency (EPA). This dishwasher uses less energy and water, making it an excellent choice for environmentally conscious homeowners. This dishwasher operates quietly, thanks to its sound insulation system. You can run it even at night without disturbing your household. The Kenmore dishwasher model 665 has a spacious interior that can hold up to 14 place settings. It has adjustable racks and a removable silverware basket, making it easy to load and unload dishes. This dishwasher has SmartWash technology, which automatically senses the soil level of your dishes and adjusts the wash cycle accordingly. This feature ensures that your dishes are cleaned thoroughly without wasting water or energy. Read Also: KitchenAid Dishwasher Not Draining? Here's What to Do! Now let's discuss the various parts of a Kenmore dishwasher 665: The dishwasher motor is responsible for driving the spray arm and pump, ensuring the dishwasher operates effectively. If the motor is faulty, the dishwasher may not function correctly. Kenmore offers a range of dishwasher motor parts that are easy to install and replace. The spray arm distributes water throughout the dishwasher to clean dishes effectively. Over time, the spray arm may become clogged or damaged, resulting in poor cleaning performance. Kenmore offers a variety of spray arm replacement parts for the Kenmore dishwasher 665. The dishwasher pump is responsible for pumping water through the dishwasher's spray arm to clean dishes. If the pump is faulty, the dishwasher may not clean dishes correctly. Kenmore offers a range of dishwasher pump parts that are easy to install and replace. The control panel is the interface that allows you to control the dishwasher's settings. If the control panel is faulty, you may not be able to control the dishwasher correctly. Kenmore offers a range of dishwasher control panel parts that are easy to install and replace. The detergent dispenser releases the detergent during the wash cycle. If the dispenser is faulty, the dishwasher may not clean dishes correctly. Kenmore offers a range of dishwasher detergent dispenser parts that are easy to install and replace. The water inlet valve controls the flow of water into the dishwasher. If the valve is faulty, the dishwasher may not fill with water correctly. Kenmore offers a range of dishwasher water inlet valve parts that are easy to install and replace. The dishwasher rack holds the dishes during the wash cycle. Over time, the rack may become damaged, resulting in poor cleaning performance. Kenmore offers a range of dishwasher rack replacement parts for the Kenmore dishwasher 665. The heating element is responsible for heating the water during the wash cycle. If the element is faulty, the dishwasher may not clean dishes correctly. Kenmore offers a range of dishwasher heating element parts that are easy to install and replace. The door latch assembly holds the dishwasher door closed during the wash cycle. If the assembly is faulty, the dishwasher may not function correctly. Kenmore offers a range of dishwasher door latch assembly parts. The dishwasher float is responsible for monitoring the water level in the dishwasher. If the float is faulty, the dishwasher may not fill with water correctly. Kenmore offers a range of dishwasher float parts that are easy to install and replace. Read Also: Dishwasher Not Getting Water: Troubleshooting Guide The door seal prevents water from leaking out of the dishwasher during the wash cycle. If the seal is faulty, water may leak onto the floor. Kenmore offers a range of dishwasher door seal parts that are easy to install and replace. The silverware basket holds utensils during the wash cycle. Over time, the basket may become damaged, resulting in poor cleaning performance.



The heavy cycle is perfect for cleaning heavily soiled dishes, while the light cycle is suitable for washing delicate items. The Kenmore dishwasher model 665 is Energy Star certified, which means it meets strict energy efficiency guidelines set by the US Environmental Protection Agency (EPA). This dishwasher uses less energy and water, making it an excellent choice for environmentally conscious homeowners. This dishwasher operates quietly, thanks to its sound insulation system. You can run it even at night without disturbing your household. The Kenmore dishwasher model 665 has a spacious interior that can hold up to 14 place settings.

It has adjustable racks and a removable silverware basket, making it easy to load and unload dishes. This dishwasher has SmartWash technology, which automatically senses the soil level of your dishes and adjusts the wash cycle accordingly. This feature ensures that your dishes are cleaned thoroughly without wasting water or energy. Read Also: KitchenAid Dishwasher Not Draining? Here's What to Do! Now let's discuss the various parts of a Kenmore dishwasher 665. The dishwasher motor is responsible for driving the spray arm and pump, ensuring the dishwasher operates effectively. If the motor is faulty, the dishwasher may not function correctly. Kenmore offers a range of dishwasher motor parts that are easy to install and replace. The spray arm distributes water throughout the dishwasher to clean dishes effectively. Over time, the spray arm may become clogged or damaged, resulting in poor cleaning performance. Kenmore offers a variety of spray arm replacement parts for the Kenmore dishwasher 665. The dishwasher pump is responsible for pumping water through the dishwasher's spray arm to clean dishes. If the pump is faulty, the dishwasher may not clean dishes correctly. Kenmore offers a range of dishwasher pump parts that are easy to install and replace. The control panel is the interface that allows you to control the dishwasher's settings. If the control panel is faulty, you may not be able to control the dishwasher correctly. Kenmore offers a range of dishwasher control panel parts that are easy to install and replace. The detergent dispenser releases the detergent during the wash cycle. If the dispenser is faulty, the dishwasher may not clean dishes correctly. Kenmore offers a range of dishwasher detergent dispenser parts that are easy to install and replace. The water inlet valve controls the flow of water into the dishwasher. If the valve is faulty, the dishwasher may not fill with water correctly. Kenmore offers a range of dishwasher water inlet valve parts that are easy to install and replace. The dishwasher rack holds the dishes during the wash cycle. Over time, the rack may become damaged, resulting in poor cleaning performance. Kenmore offers a range of dishwasher rack replacement parts for the Kenmore dishwasher 665. The heating element is responsible for heating the water during the wash cycle. If the element is faulty, the dishwasher may not clean dishes correctly. Kenmore offers a range of dishwasher heating element parts that are easy to install and replace. The door latch assembly holds the dishwasher door closed during the wash cycle. If the assembly is faulty, the dishwasher may not function correctly. Kenmore offers a range of dishwasher door latch assembly parts. The dishwasher float is responsible for monitoring the water level in the dishwasher. If the float is faulty, the dishwasher may not fill with water correctly. Kenmore offers a range of dishwasher float parts that are easy to install and replace. Read Also: Dishwasher Not Getting Water: Troubleshooting Guide The door seal prevents water from leaking out of the dishwasher during the wash cycle. If the seal is faulty, water may leak onto the floor. Kenmore offers a range of dishwasher door seal parts that are easy to install and replace. The silverware basket holds utensils during the wash cycle. Over time, the basket may become damaged, resulting in poor cleaning performance. Kenmore offers a range of dishwasher silverware basket replacement parts for the Kenmore dishwasher 665. The dishwasher hose connects the dishwasher to the water supply and drain. If the hose is faulty, the dishwasher may not function correctly.

Kenmore offers a range of dishwasher hose parts that are easy to install and replace. The dishwasher gasket seals the dishwasher tub to prevent leaks during the wash cycle. If the gasket is faulty, water may leak onto the floor. Kenmore offers a range of dishwasher gasket parts that are easy to install and replace. The dishwasher rack adjuster kit allows you to adjust the height of the dishwasher rack to accommodate different types of dishes. Over time, the adjuster may become damaged, resulting in poor cleaning performance. Kenmore offers a range of dishwasher rack adjuster kit parts for the Kenmore dishwasher 665. Installing and maintaining the Kenmore dishwasher model 665 is relatively easy. However, it's essential to follow the manufacturer's instructions to ensure proper installation and maintenance. Here are some tips to help you with the installation and maintenance of this dishwasher: Before installing the dishwasher, make sure that you have all the necessary tools and materials. You'll need a screwdriver, pliers, a level, and a water supply line. Follow these steps to install the dishwasher: Turn off the water supply and disconnect the power source. Remove the old dishwasher if necessary. Attach the mounting brackets to the dishwasher and slide them into the cabinet opening. Level the dishwasher and secure it to the cabinet using screws. Connect the water supply line and drain hose to the dishwasher. Turn on the water supply and power source and test the dishwasher. Regular maintenance of the Kenmore dishwasher model 665 is crucial to ensure its longevity and efficiency. Here are some maintenance tips: Clean the dishwasher's interior regularly to remove food particles and debris. Check and clean the dishwasher's spray arm and filters. Use a dishwasher cleaner to remove hard water buildup and stains. Inspect the dishwasher's hoses and connections for leaks or damage. Replace any worn-out or damaged parts immediately. Even though the Kenmore dishwasher model 665 is a reliable appliance, it may encounter some problems from time to time.

Here are some common issues and their possible solutions: If you notice that your dishes are not coming out clean after a wash cycle, there are a few things you can check: Check if the spray arm holes are clogged with debris. If so, clean them using a toothbrush. Make sure that you're not overloading the dishwasher. Overloading can hinder the water and detergent from reaching all the dishes. Check if the dishwasher's filters are clogged. Clean or replace them as necessary. If you notice water leaking from your dishwasher, follow these steps: Check if the dishwasher's door is properly closed and latched. A loose door can cause water to leak out. Inspect the dishwasher's gasket for any tears or cracks. If you find any damage, replace the gasket immediately. Check the dishwasher's hoses and connections for any leaks or damage. Tighten any loose connections or replace any worn-out hoses. If your dishwasher isn't turning on, here are some things you can try: Check if the dishwasher is properly plugged in and if the outlet is working. Make sure that the dishwasher's door is completely closed and latched. Check if the dishwasher's circuit breaker has tripped. If so, reset the circuit breaker. You're likely facing an issue with your Kenmore Elite Dishwasher 665. While it may be frustrating, don't worry – resetting your dishwasher is a straightforward process that you can easily do at home. In this guide, we'll walk you through the steps to reset your Kenmore Elite Dishwasher 665 and get it back up and running. The first step to resetting your Kenmore Elite Dishwasher 665 is to turn it off. Locate the dishwasher's circuit breaker and switch it off. This will ensure that the dishwasher is completely powered down. After turning off your dishwasher, wait for a few minutes to allow it to fully power down. This step is crucial as it ensures that the dishwasher's memory is cleared of any previous errors. After waiting for a few minutes, turn on your dishwasher by switching on the circuit breaker. Ensure that all dishwasher settings are set to their default positions. Now that your dishwasher is on, start a wash cycle. This will help you determine if the reset was successful. If your dishwasher starts the wash cycle as expected, it means that the reset was successful. If it doesn't, you may need to repeat the reset process. Yes, you can install this dishwasher yourself by following the manufacturer's instructions. However, if you're not comfortable with DIY installation, it's best to hire a professional. With proper maintenance, the Kenmore dishwasher model 665 can last up to 10-12 years. No, this dishwasher operates quietly thanks to its sound insulation system. No, it's best to use dishwasher detergent specifically designed for this dishwasher. Using other detergents may damage the dishwasher and affect its performance. Yes, this dishwasher comes with a one-year limited warranty that covers defects in materials and workmanship. The Kenmore dishwasher model 665 is an excellent choice for homeowners who want a reliable and efficient dishwasher.

With its multiple wash cycles, Energy Star certification, and spacious interior, this dishwasher can handle all your dishwashing needs. It's easy to install and maintain, and it's designed to last for years. We hope that this article has provided you with all the information you need to know about the Kenmore dishwasher model 665.