

Turbine Gas Meter Wafer Type

IGTM-WT

The IGTM-WT is an industrial gas turbine meter for accurate volume and flow measurement. An 8-digit mechanical counter increments with gas passing through the meter. A standard low frequency pulser provides pulses per m³ (1R1) and can be connected to an electronic volume converter (EVC) for pressure and temperature conversion.

High frequency flow proportional pulses can be generated (HF3 and HF4):

Approx. 60 to 315 Hz at Qmax

Extremely low weight of the IGTM-WT due to the wafer form (to be clamped between the pipe flanges) and the body is made of durable aluminium.



All at a glance



- For industrial gas flow measurement
- Good measuring accuracy
- Repeatability 0.1% and better
- Integrated flow straightener
- Meter sizes G 40 to G 1,600
- Measuring range 10 to 2,500 m³/h
- Nominal sizes DN 50 (2") to DN 200 (8")
- Design pressure 0 to 20 bar(g)
- Very light and for clamping between pipe flanges
- By standard 1 LF- and 1 HF-Sensor installed at index head; up to 2 LF- and 2 HF-Sensors possible (option)
- Up to 2 integrated thermowells at the meter body (option)
- Absolut-Encoder (option)
- Suitable for natural gas, pressured air, butane, biogas, nitrogen and other gases – Please ask us!

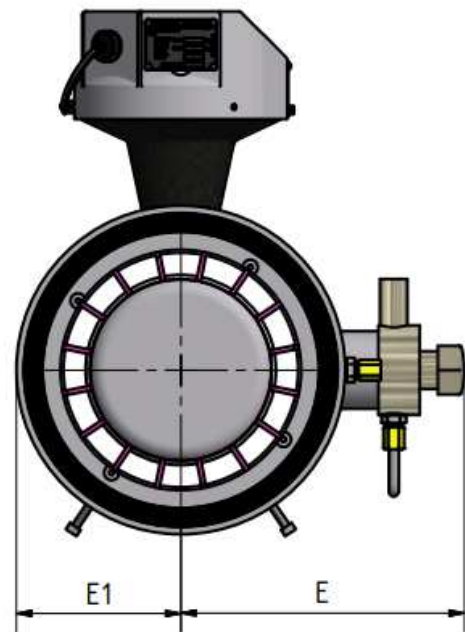
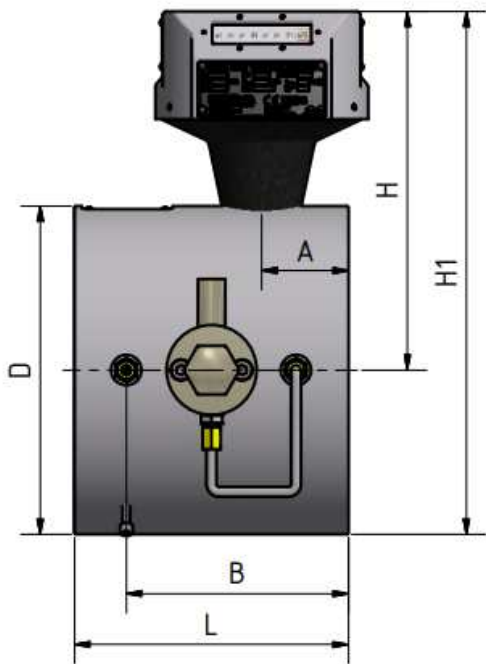
vemmtec
Messtechnik GmbH

Experience meets Innovation

Your Partner for Volume- and Energy MeasureMent Technology

➤ Accurate and affordable

Dimension and Weight



DN	pressure rating	housing material	A mm	B mm	E mm	D mm	H mm	H1 mm	L mm	weight kg	G-rate	k-factor imp/m ³	
												1R1	HF3
50	PN 10/16 ANSI 150	Aluminum	31.5	87	-	102	176	227	120	3.6	40 & 65	10	4400
65	PN 10/16 ANSI 150	Aluminum	31.5	87	-	122	189	250		4.7	100	10	7200
80	PN 10/16 ANSI 150	Aluminum	26.5	82	-	138	197	266		5.1	100 & 160 250	1 1	1200 670
100	PN 10/16 ANSI 150	Aluminum	51	123	-	158	207	286	150	6.8	160 & 250 400	1 1	800 440
150	PN 10/16 ANSI 150	Aluminum	57	146	190	216	235	343	180	12.8	400 & 650 1000	1 0.1	360 135
200	PN 10/16 ANSI 150	Aluminum	69	150	218	270	262	397	200	19.2	650 & 1000 1600	0.1 0.1	150 80



We offer you the solution for your individual application.

Our motivated sales team is at your disposal with advice and support.

Let us also inform you about our other products and their wide-ranging application possibilities!

vemm tec Messtechnik GmbH

Gartenstrasse 20
14482 Potsdam-Babelsberg, Germany

E-Mail: sales@vemmtec.com
Telephone: (0331) 70 96 - 0
Fax: (0331) 70 96 - 270

www.vemmtec.com

vemm tec Messtechnik GmbH is certified according to ISO 9001:2015 and ISO 14001:2015.