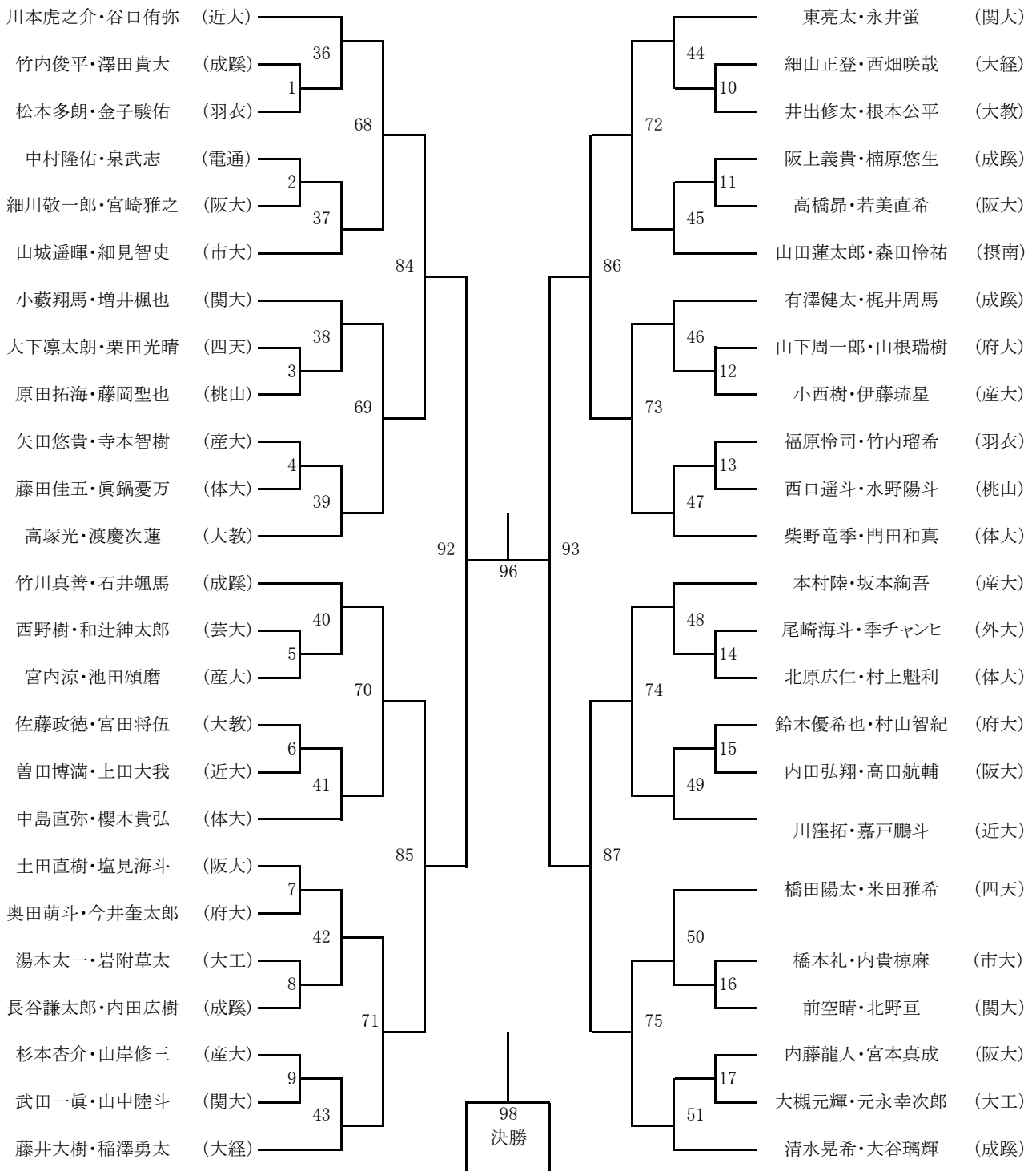


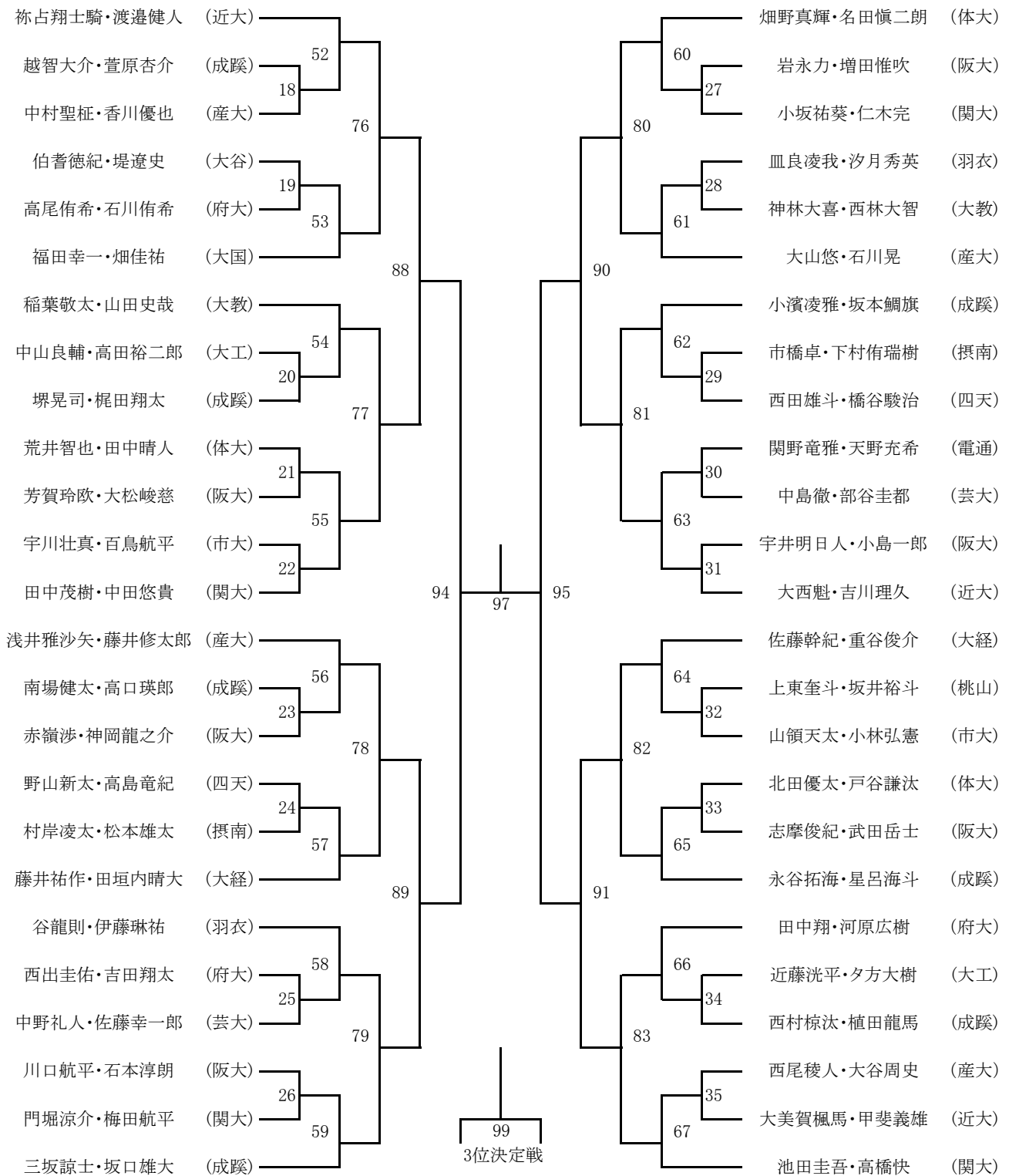
MD①

(99)

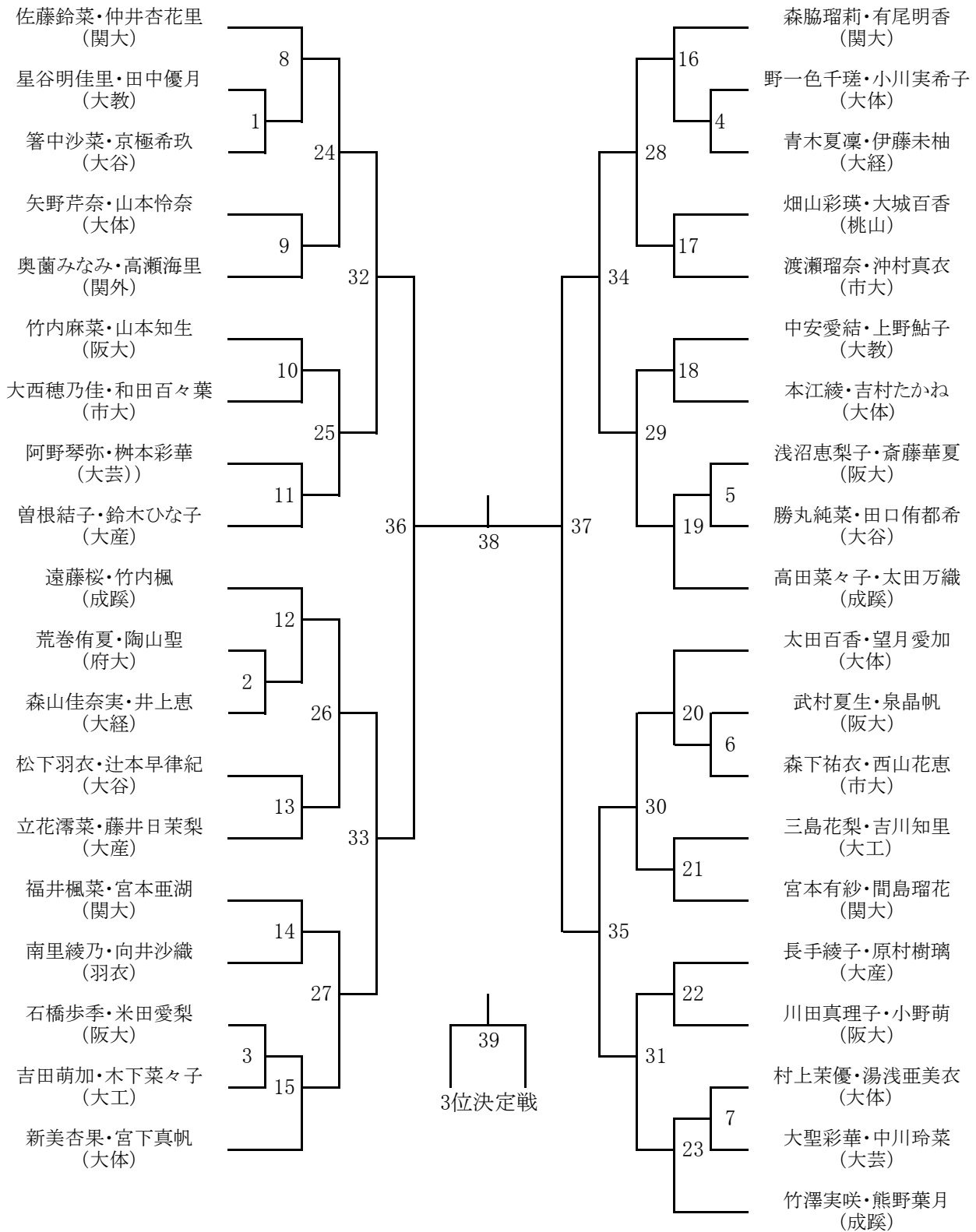


MD②

(99)

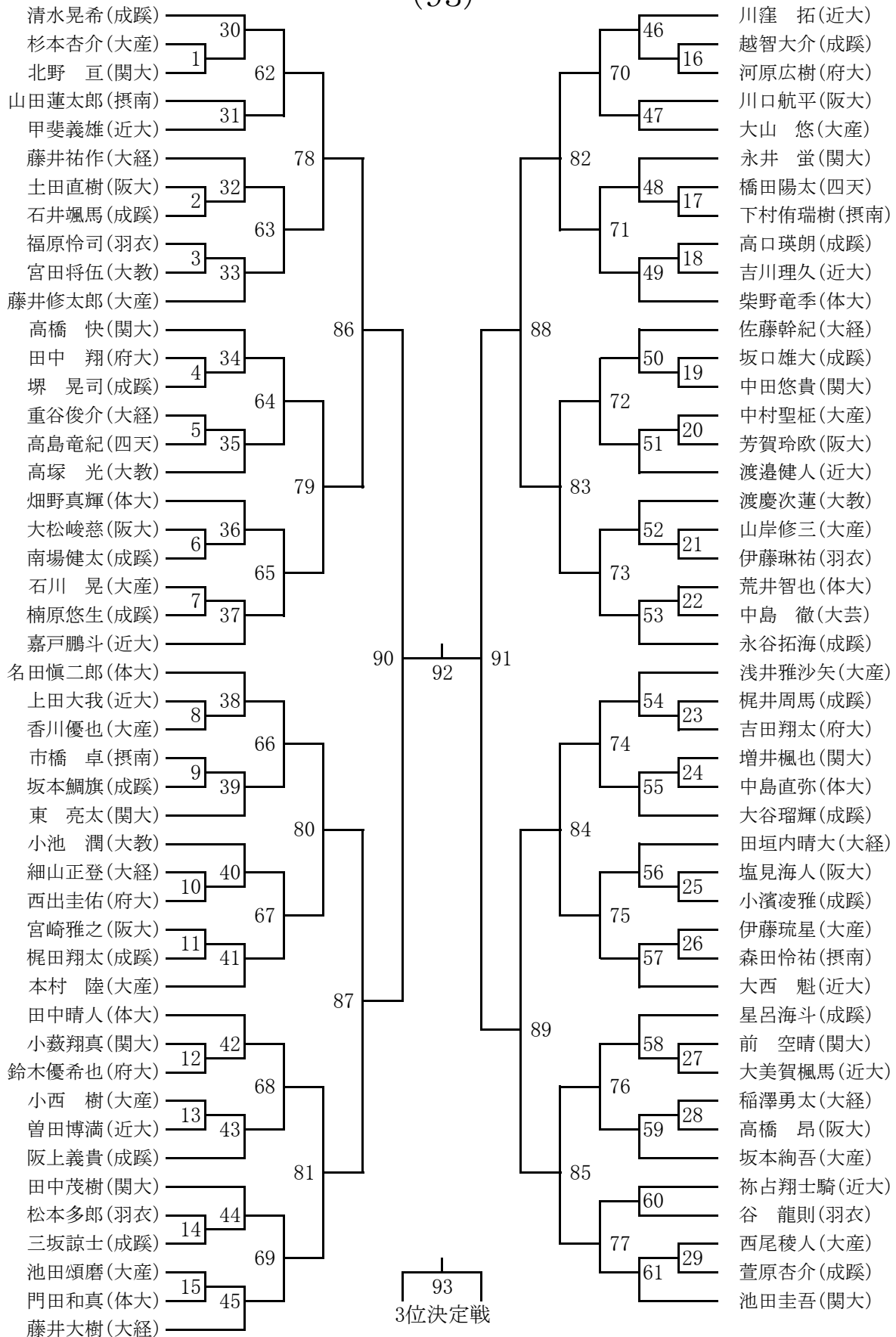


WD
(39)



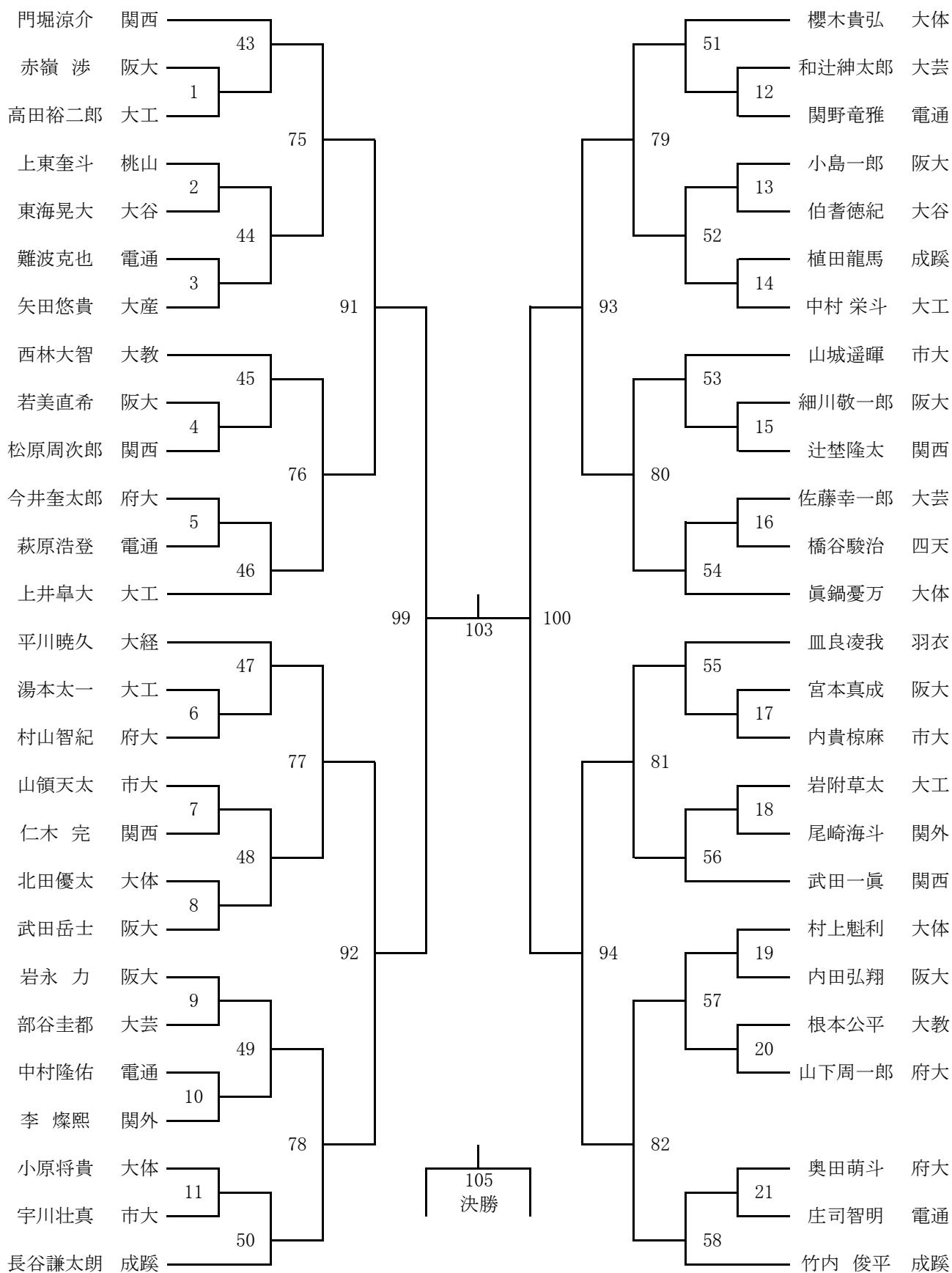
MSA

(93)



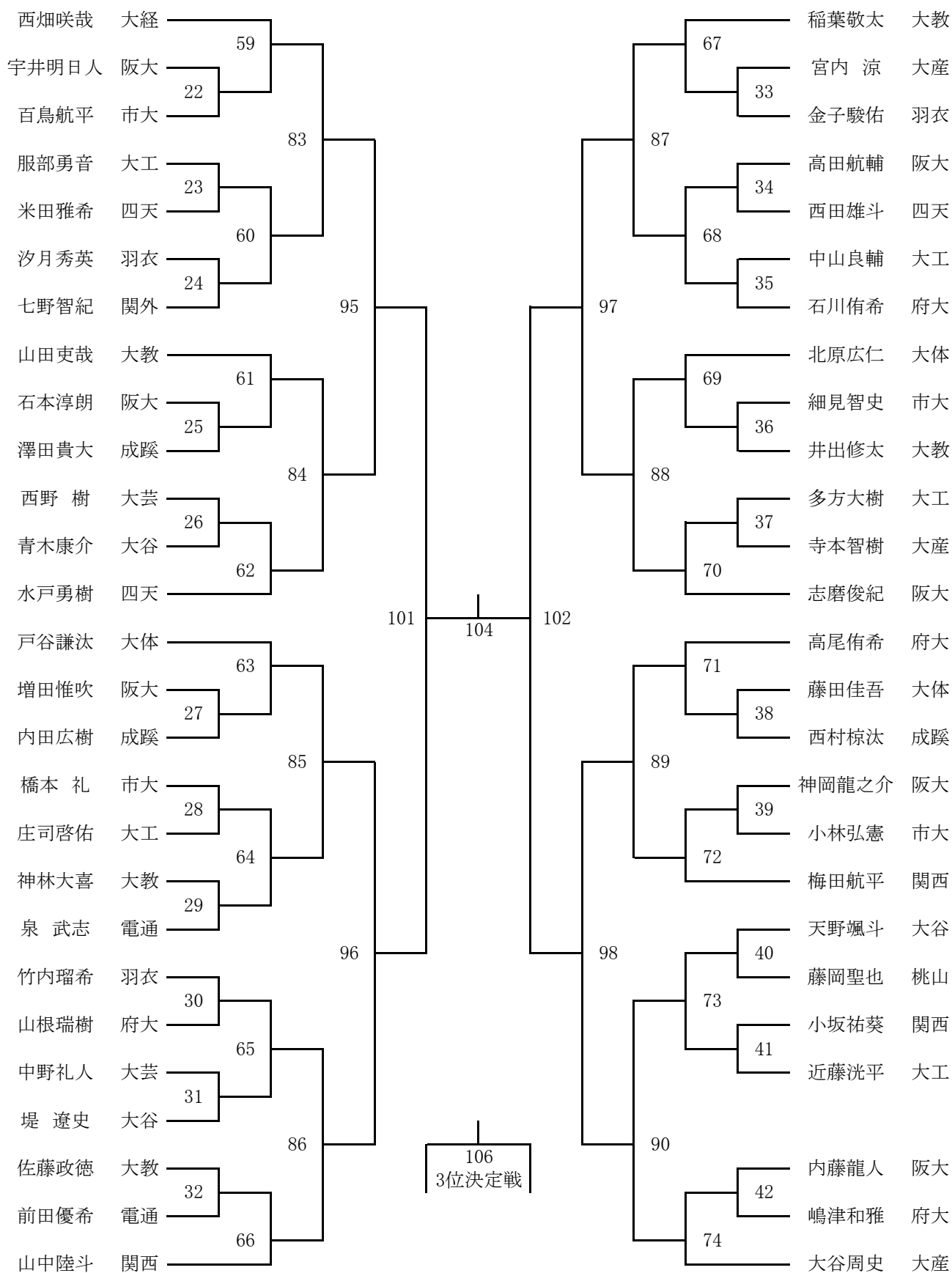
MSB①

(106)



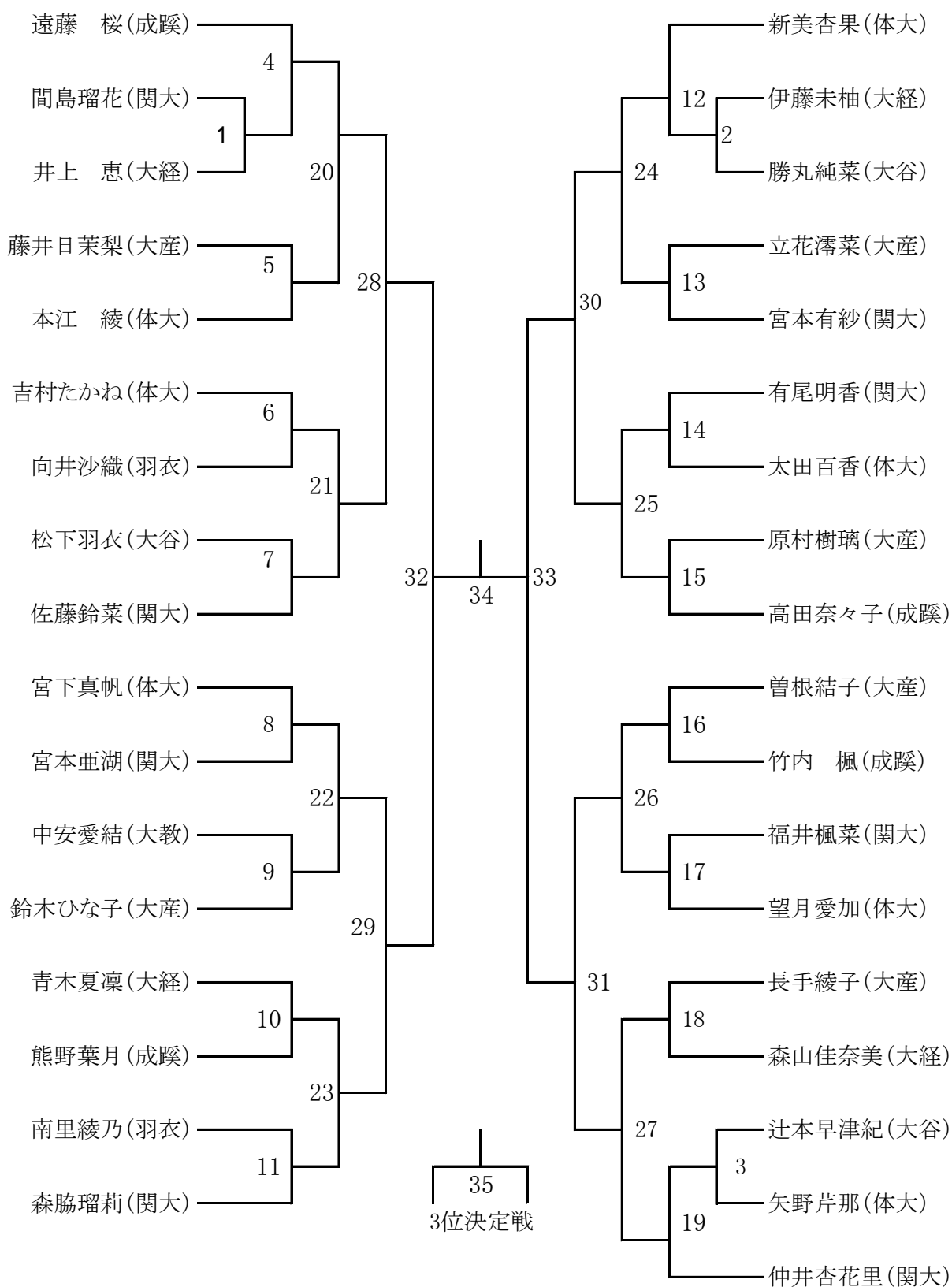
MSB②

(106)



WSA

(35)



WSB

(46)

