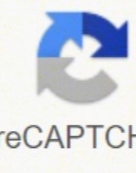
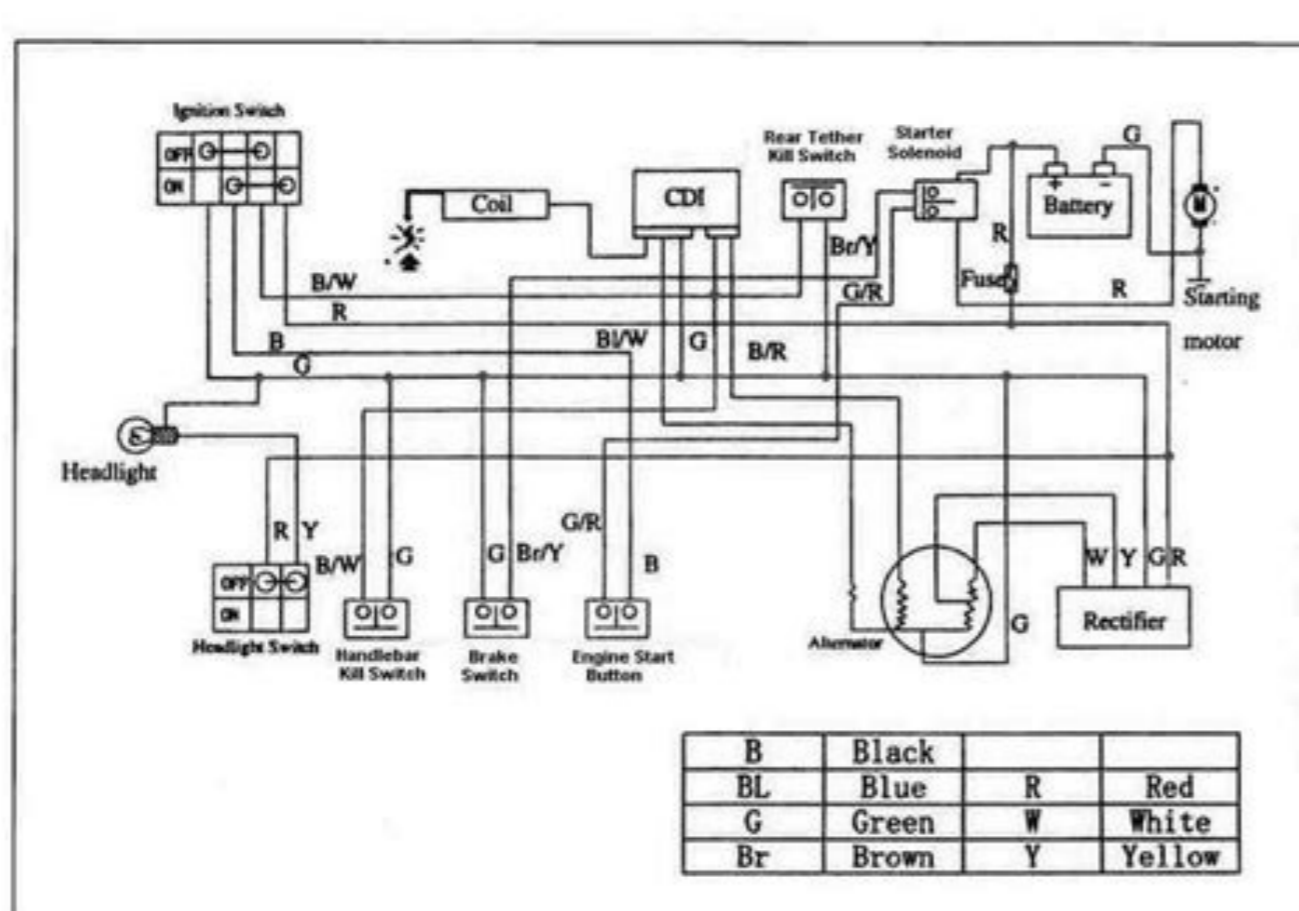


I'm not robot  reCAPTCHA

**I am not  
robot!**

## Taotao 110cc atv service manual

2022-2023 Boulder See Details >> 2023 Rock 110 See Details >> 2022-2023 Mudhawk 6 See Details >> 2022-2023 D125 See Details >> 2022-2023 TForce See Details >> 2022-2023 Cheetah See Details >> 2022-2023 T-Force Platinum See Details >> 2022-2023Cheetah Platinum See Details >> 2022-2023 TrailHawk 10 See Details >> 2022-2023 MudHawk 10 See Details >> F125(ATA125F1) See Details >> ATA150G See Details >> BULL150 See Details >> BULL 200S See Details >> G200 See Details >> RHINO 250 See Details >> B1(BOULDERB1) See Details >> G125(CHEETAH) See Details >> New Cheetah See Details >> T125(TFORCE) See Details >> NEW TFORCE See Details >> There's nothing like riding in your first go-kart. The wind flowing around you, the wheels turning up dust underneath you. It's an experience you'll never forget. And for unforgettable experiences, Tao Motor has you covered. A reliable machine built for kids ready to take on their adventures, the GK110 has become a favorite of our go-kart lineup, and rightfully so. The GK110 comes standard with a reliable 110cc air-cooled four-stroke engine, with electric key start, and an automatic gearbox with the reverse gear. Multiple convenient features make the GK110 perfect for early riders getting the hang of go-karting. A digital gear indicator and easy-to-read pedals let you know your gear and which pedal to press when driving. Being a youth go-kart, safety is always key. Ride worry-free inside the fully enclosed roll and securely fastened with a safety harness for both riders. A remote control shut-off can off the engine with a simple button push if learning is still in progress. With large tires and plenty of ground clearance, you won't get stuck or high-centered. Rugged enough for big kids and accessible for smaller kids, the GK110's perfect size makes it the number one choice for families ready for outdoor fun. The Tao Motor TForce ATV is a new high-output 110cc. This is one of the few 110cc engines with Reverse, which improves this ATV's maneuverability. Tao Motor has upgraded the TForce ATV's automatic transmission with a larger sprocket, giving more low-end torque, and placed it in a mid-sized chassis.



Multiple convenient features make the GK110 perfect for early riders getting the hang of go-karting. A digital gear indicator and easy-to-read pedals let you know your gear and which pedal to press when driving. Being a youth go-kart, safety is always key.



The GK110 comes standard with a reliable 110cc air-cooled four-stroke engine, with electric key start, and an automatic gearbox with the reverse gear. Multiple convenient features make the GK110 perfect for early riders getting the hang of go-karting. A digital gear indicator and easy-to-read pedals let you know your gear and which pedal to press when driving. Being a youth go-kart, safety is always key. Ride worry-free inside the fully enclosed roll and securely fastened with a safety harness for both riders. A remote control shut-off can off the engine with a simple button push if learning is still in progress. With large tires and plenty of ground clearance, you won't get stuck or high-centered. Rugged enough for big kids and accessible for smaller kids, the GK110's perfect size makes it the number one choice for families ready for outdoor fun. The Tao Motor TForce ATV is a new high-output 110cc. This is one of the few 110cc engines with Reverse, which improves this ATV's maneuverability. Tao Motor has upgraded the TForce ATV's automatic transmission with a larger sprocket, giving more low-end torque, and placed it in a mid-sized chassis. Providing our customers with options and safety the T-force comes with a lot of valuable options automatic start, and a remote alarm kill switch for the parents. This TaoTao unit has a more aggressive stance and bolder overall style, with an upgraded gear indicator that's easier to read. With a seat to peg measurement of 19 inches, this ATV will fit a full-size adult but will also work well for smaller riders. Routine maintenance and repair is part of the motorsports lifestyle. When the time comes, you have two great options: You can take your Tao Motor vehicle to an authorized Tao Motor dealer and have a trained mechanic take care of it for you, or if you love spinning your own wrenches you can buy parts online at one of our U.S.-based parts store [partskit.com](http://partskit.com).