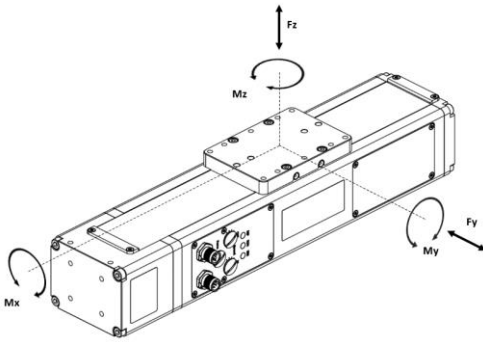


Data sheet Linear Axis CTL



Size		CTL-60	
Control / Parameterization		IO-Link / Digital I/O e.g. positioning applications / e.g. simple lifting movement	
Setting force & speed		IO-Link / Control panel	
Stroke (incl. additional stroke: 10mm)	[mm]	100, 200, 300, 500, 600, 800, 1000	
Spindle pitch	[mm/U]	5	10
Max. Feed force (peak)	[N]	800	400
Max. Feed force (continuous operation)	[N]	400	200
Max. Speed			
In 24V operation	[mm/s]	150	300
In 48V operation		300	600
Max. Acceleration	[m/s ²]	15	15
Positioning precision	[mm]	+/- 0.1mm	
Repeat precision	[mm]	+/- 0.02mm	
Spindle type		Balls screw	
Mounting position		any	
Integrated linear guide		15mm profile rail guide with ball carriage	
Permissible forces / moments on slides		Bottom mounted: (i.A.) side mounted: (i.A.)	
Fy	[N]	400	1500
Fz	[N]	500	1500
Mx	[Nm]	12	20
My	[Nm]	80	80
Mz	[Nm]	30	30
Ambient temperature	[°C]	0...+40	
Ambient temperature note		At ambient temperatures above 25° C a reduction in performance must be expected.	
Storage temperature	[°C]	-20...+60	
Protection class		IP40 according to EN 60529	
Relative humidity	[%]	0...90 (non-condensing)	
Motor type		Synchronous Servomotor	
Rotor position encoder		Absolut, single turn, 12bit	
CE mark (see Declaration of Conformity))		According to EU-RoHS Directive	
		According to EU EMV Directive	

Anschlüsse, Signale, Ansteuerung		
Status display		3x LED
Power interface, connection type		Plug 4-pole, M12x1, T-coded according to EN 61076-2-111
Rated voltage power circuit	[V DC]	24 - 48
Rated current power	[A]	3 (i.A.)
Max. current consumption power	[A]	10
Signal interface, connection type		Plug 8-pole, M12x1, A-coded according to EN 61076-2-101
Operating range signal input	[V DC]	24
Permissible voltage variations	%	+/- 15
Max. current digital signal outputs	[mA]	100 / output
Number of digital signal inputs	3	extend, retract, teach
Number of digital signal outputs	3	extended, retracted, ready
Features signal input		not galvanically isolated
Max. cable length	[m]	20, for inputs and outputs
Switching logic outputs		push-pull
Switching logic inputs		positive switching
Reference	Move in	fixed stop intern / stop external
	Move out	fixed stop intern / stop external

Weight (+/- 10%)		
For 200 mm stroke	[g]	3380 (i.A.)
Per 10mm stroke additionally	[g]	62 (i.A.)
moving mass	[g]	610 (i.A.)

Materials	
Housing, cover, slide	Aluminium colourless anodized
Connecting piece	Aluminium, red anodized
Cover plate	Stainless steel hardened
Screws, Grease nipple	Steel Galvanized
Spindle	heat-treated steel
Spindle nut	Roller bearing steel
Guide rail	heat-treated steel
Guide carriage	steel, Plastic
Covers knobs	Stainless steel
Connector fittings	Zinc nickel plated
Note on materials	RoHS compliant