

MULTI-PURPOSE GRABS

for excavators from 1 to 52 ton



Find out more

Grab up everything!

- Replaceable wear plates (400hb).
- Robust and fully integrated rotation.
- Relief valve for hydraulic rotation.
- Cylinder fully protected from possible debris during demolition.
- Opening/Closing lock valve *optional.
- Kit for two hydraulic lines system (GR15-GR75) *Optional.
This kit can only be purchased at the moment of the order. It is not possible to add this kit after the product installation.



THE NEW MULTI PURPOSE GRABS OF GR SERIES ARE DESIGNED FOR HANDLING, RECYCLING AND SMALL DEMOLITIONS.

ALL THE PARTS THAT MOSTLY UNDERGO WEARING ARE EASILY REPLACEABLE

HIGH CLOSING FORCE



4-GRIP KIT



CURB HANDLING



FULL SIDE CLOSING KIT



TOOTHED SIDE CLOSING KIT

GR SERIES

Application Fields



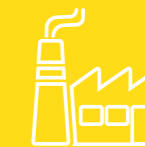
Mining & Quarrying



Demolition & Renovation



Construction



Metallurgical Industry

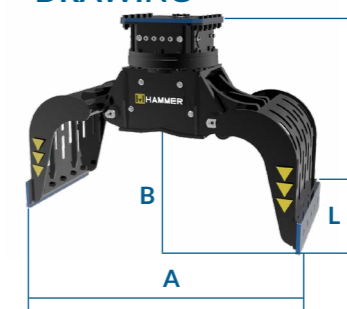


Recycling

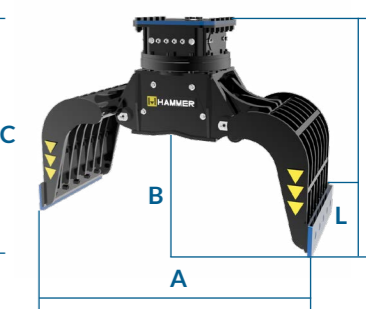
Models		NEW							
		GR10	GR15	GR25	GR45	GR75	GR100	GR150	GR210
Carrier weight	t	1-3	1.5-4	4-7	5-12	7-16	13-19	17-30	24-35
Weight + Standard Jaw	kg	93	145	240	480	700	1000	1500	1890
Weight + Demolition Jaw	kg	/	155	310	560	980	1380	1750	2030
Weight + Teeth Jaw	kg	/	155	245	480	710	1000	1510	/
Excavator oil flow capacity	l/min	14	15	20	25	45	50	75	170
Excavator working pressure	bar	180	200	250	250	250	300	300	310
360° Rotation	°	360°	360°	360°	360°	360°	360°	360°	360°
Rotation oil flow capacity	l/min	8-16	10-20	10-20	15-25	15-25	40-60	40-60	30
Rotation Pressure	bar	80	100	100	100	100	100	100	210
A	mm	700	925	1170	1500	1635	1780	1950	2400
B	mm	270	300	370	470	520	570	675	690
C	mm	680	700	825	1045	1130	1225	1550	1450
L	mm	300	400	500	600	700	800	1020	1205

Models		NEW	
		GR260	GR300
Carrier weight	t	28-45	35-50
Weight + Standard Jaw	kg	2480	2790
Weight + Demolition Jaw	kg	2715	3480
Weight + Teeth Jaw	kg	/	/
Excavator oil flow capacity	l/min	200	200
Excavator working pressure	bar	310	310
360° Rotation	°	360°	360°
Rotation oil flow capacity	l/min	30	30
Rotation Pressure	bar	210	210
A	mm	2420	2800
B	mm	700	759
C	mm	1660	1750
L	mm	1205	1500

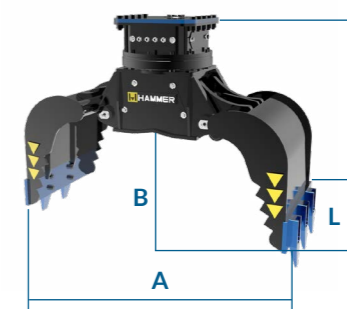
TECHNICAL DRAWING



GR + STANDARD JAWS



GR + DEMOLITION JAWS



GR + TEETH JAWS

*All illustrations and numerical data in this catalog are purely indicative and subject to change at our discretion and without notice. We therefore reserve the right to modify them with a view to improving and continuously developing our product.