



I'm not robot



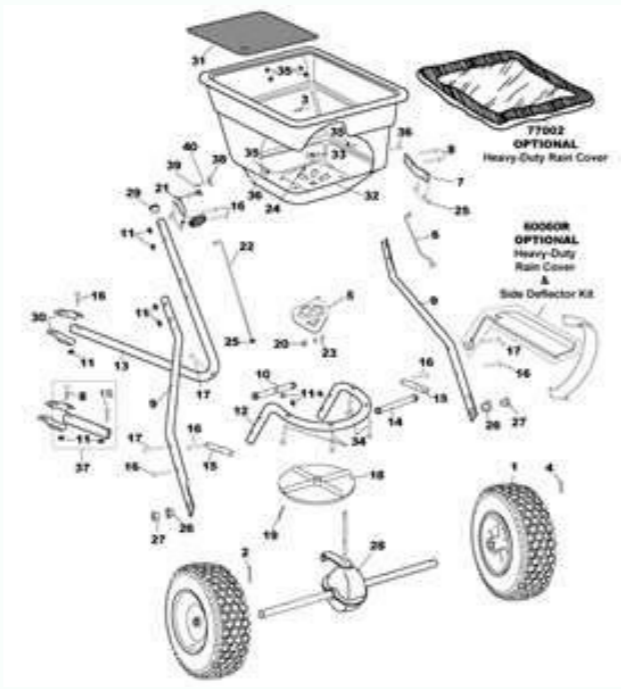
**Continue**

## Scotts accugreen 3000 parts list

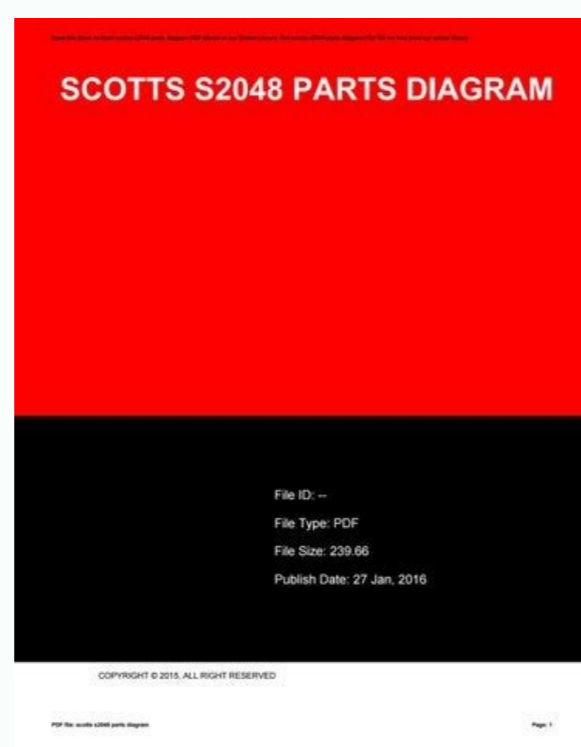
Calibration Your AccuGreen 3000 spreader was calibrated at © TM the factory. You may check the calibration as follows: 1.



2. Squeeze the trigger against the handle. 3. The front edge of the shutoff bar should be flush with the calibration line engraved on the bottom of the hopper. 4. To adjust alignment, use a small wrench to turn the black calibration screw at the lower end of the control wire leading from the micrometer rate setting barrel. Spend a few minutes on maintenance after each use 1. Never leave product in the spreader. Pour leftover material back into the package and seal the package tightly. 2.



Never leave product in the spreader. Pour leftover material back into the package and seal the package tightly. 2. After each use, wash thoroughly to remove all material clinging to the spreader. Hot water may be required at times to remove stubborn residue. Allow the spreader to dry thoroughly in the sun.



To adjust alignment, use a small wrench to turn the black calibration screw at the lower end of the control wire leading from the micrometer rate setting barrel. Spend a few minutes on maintenance after each use 1. Never leave product in the spreader. Pour leftover material back into the package and seal the package tightly. 2. After each use, wash thoroughly to remove all material clinging to the spreader. Hot water may be required at times to remove stubborn residue. Allow the spreader to dry thoroughly in the sun. 3. Store your spreader in a clean dry place. NOTE: This unit does not require lubrication. Thank you for purchasing a Scotts AccuGreen ® introduced the first home lawn spreader in 1946 and has continued to offer superior quality that translates into more accurate application, a better-looking lawn, and a longer-lasting, more durable spreader. The lawn care industry's most extensive research, design, and testing have gone into making the AccuGreen series spreaders the most accurate in their class. With its durable rustproof hopper, the AccuGreen Questions, Comments, Information Call Scotts' toll-free "Lawn Success Made Easy"™ Consumer Helpline. Visit Scotts' website at 1-800-543-TURF www.scottslawn.com Scotts No-Quibble Guarantee® If for any reason you, the consumer, are not satisfied after using this product, you are entitled to get your money back. Simply send us evidence of purchase and we will mail you a refund check promptly. The Scotts Company 14111 Scottslawn Rd. © Marysville, Ohio 43041 01-AG3000 Printed in USA Printed on Recycled Paper 3000 spreader. The Scotts Company TM @ 3000 spreader is guaranteed © TM to give you great results — now and for many years to come. ACCUGREEN 3000 73730 STRIP IN UPC CODE 0 32247 73730 2 PROOF OF PURCHASE ©2001, The Scotts Company. World rights reserved. SHUTOFF BAR CALIBRATION LINE • Number 1 selling drop spreader nationwide • Cushioned, U-shaped handle with positive-locking on/off control • Easy-to-read precision micrometer rate setting for increased accuracy • Hopper holds 10,000-square-feet (930 sq. meter) of Scotts fertilizer • Heavy duty frame • 22 inch (56 cm) spread pattern for maximum coverage • Rustproof hopper, agitator and polymer components • Easy-rolling 12-inch (30 cm) wheels provide high ground clearance to help prevent clogging • Scotts No-Quibble Guarantee® • Made in the U.S.A. INSTRUCTIONS INSIDE —SAVE FOR FUTURE REFERENCE spend a few minutes on maintenance after each use 1. Never leave product in the spreader. Pour leftover material back into the package and seal the package tightly. 2. After each use, wash thoroughly to remove all material clinging to the spreader. Hot water may be required at times to remove stubborn residue. Allow the spreader to dry thoroughly in the sun. 3. Store your spreader in a clean dry place. NOTE: This unit does not require lubrication. Thank you for purchasing a Scotts AccuGreen® 3000TM spreader. The Scotts Company introduced the first home lawn spreader in 1946 and has continued to offer superior quality that translates into more accurate application, a better-looking lawn, and a longer-lasting, more durable spreader. The lawn care industry's most extensive research, design, and testing have gone into making the AccuGreen series spreaders the most accurate in their class. With its durable rustproof hopper, the AccuGreen® 3000TM spreader is guaranteed to give you great results — now and for many years to come. Calibration Your AccuGreen® 3000TM spreader was calibrated at the factory. You may check the calibration as follows: 1. Adjust the micrometer setting to 6.2. Squeeze the trigger against the handle. 3. The front edge of the shutoff bar should be flush with the calibration line engraved on the bottom of the hopper. 4. To adjust alignment, use a small wrench to turn the black calibration screw at the lower end of the control wire leading from the micrometer rate setting barrel. Ready to use! No assembly! The Scotts Difference® ACCUGREEN 3000 73730 PROOF OF PURCHASE STRIP IN UPC CODE 0 32247 73730 201-AG3000 Printed in USA ©2001, The Scotts Company. World rights reserved. CALIBRATION LINE SHUTOFF BAR 125001212 Questions, Comments, Information Scotts No-Quibble Guarantee® If for any reason you, the consumer, are not satisfied after using this product, you are entitled to get your money back. Simply send us evidence of purchase and we will mail you a refund check promptly. Call Scotts' toll-free Consumer Helpline: 1-800-543-TURF "Lawn Success Made Easy"™ Visit Scotts' website at www.scottslawn.com The Scotts Company 14111 Scottslawn Rd. Marysville, Ohio 43041