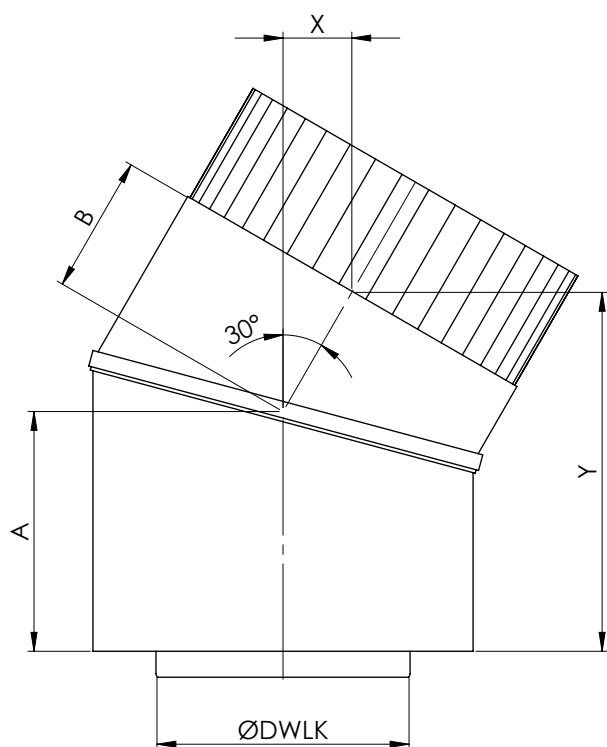


## Bocht 30° DWLK



DWLK	A	B	X	Y
100	95	55	27	142
130	102	61	31	155
150	102	61	31	155