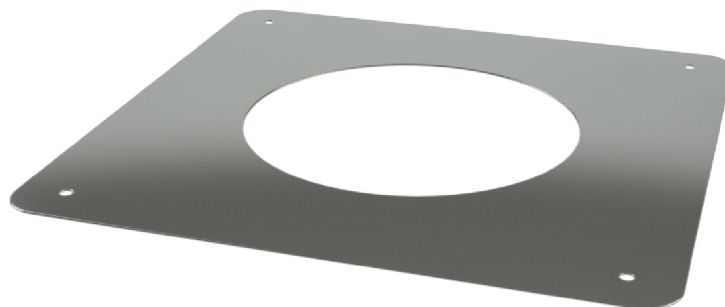
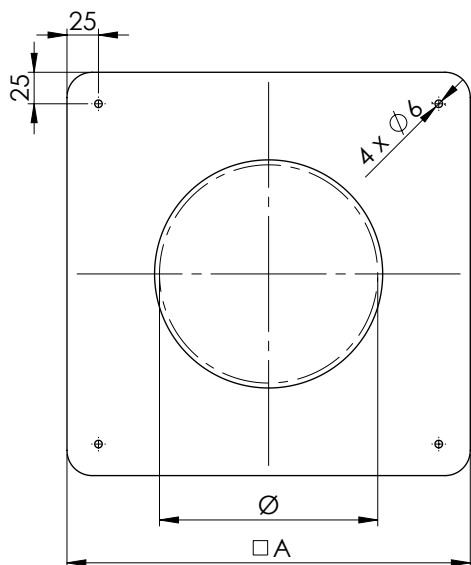


# Brandseparatieplaat



SYSTEMEN (Ø inw.)								ARTIKELCODE (Ø uitw.)	MATEN
DW DWP	DWH DWBA	DWL DWLK	EK EW	EWP EWPG	DWG DWGH	DWLG	DWD		□A
---	---	---	80	80	---	---	---	BRASP080	230
---	---	---	100	100	---	---	---	BRASP100	250
---	---	---	110	---	---	---	---	BRASP110	260
---	---	---	120	---	---	---	---	BRASP120	270
---	---	---	125	---	100	80	---	BRASP125	275
80	---	---	130	---	---	---	---	BRASP130	280
100	---	80 100	150	---	---	---	80	BRASP150	300
---	---	---	---	---	130	---	---	BRASP155	305
---	---	---	---	---	---	---	100	BRASP170	320
125	---	---	---	---	150	---	---	BRASP175	325
---	---	---	180	---	---	---	---	BRASP180	330
150	130	130 150	200	---	---	---	130	BRASP200	350
---	---	---	---	---	180	---	---	BRASP205	355
---	150	---	---	---	---	---	150	BRASP220	370
---	---	---	---	---	200	---	---	BRASP225	375
180	---	---	---	---	---	---	---	BRASP230	380
200	180	---	250	---	---	---	180	BRASP250	400
---	200	---	---	---	---	---	200	BRASP270	420
---	---	---	---	---	250	---	---	BRASP275	425
250	---	---	300	---	---	---	---	BRASP300	450
---	250	---	---	---	---	---	250	BRASP320	470
---	---	---	---	---	300	---	---	BRASP325	475
300	---	---	350	---	---	---	---	BRASP350	500
---	300	---	---	---	---	---	300	BRASP370	520
---	---	---	---	---	350	---	---	BRASP375	525
350	---	---	400	---	---	---	---	BRASP400	550
---	350	---	---	---	---	---	350	BRASP420	570
---	---	---	---	---	400	---	---	BRASP425	575
400	---	---	---	---	---	---	---	BRASP450	600
---	400	---	---	---	---	---	400	BRASP470	620

28.02.2020  
REV: 0