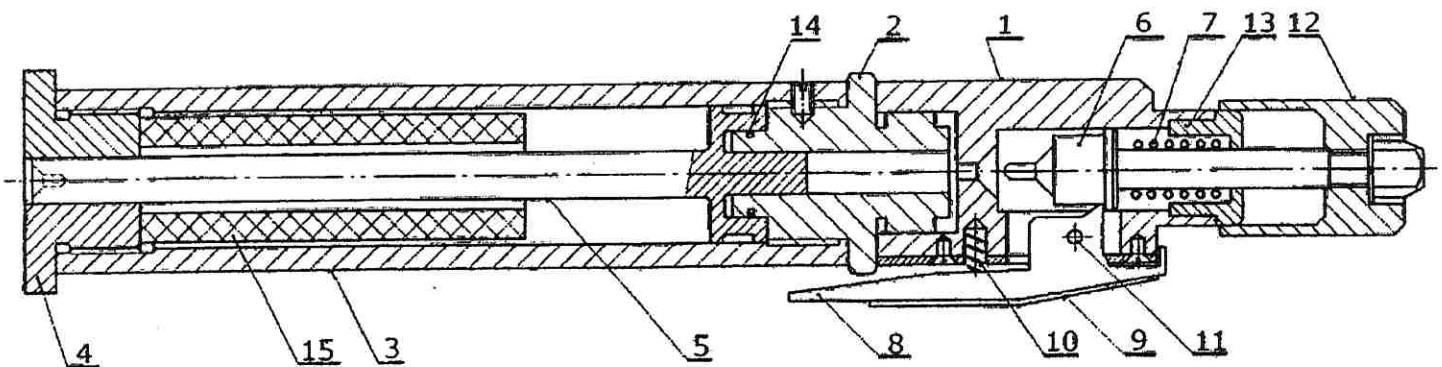


# BRNO CAPTIVE BOLT GUN

## CLEANING AND MAINTENANCE

- Unscrew the bottom section of the bolt gun. This will allow the bolt and the rubber damper to come away.
- Wipe these over with an oil and cloth. This will wipe away any carbon and unburnt powder and any debris.
- Wipe over with a very light oil (either a sewing machine or a 3in 1 oil.)
- Do not use wd40 as this reacts with the rubber damper causing it to degrade.
- Reassemble the gun ready for use again.
- The outside and the loading port should be wiped over with a very light oil.
- If the device is getting a lot of heavy use, we recommend sending it back every 12 months for a full service and to replace the springs and dampers.
- If you require spare damper and springs please ring to request and they will be supplied free of charge.
- If other parts are required please ring for advice, as spares are always available.



(UIPBC) 545 421 568 100

### Number of Uniform Industrial Products and Branches Classification

1 Breech mechanism	6 Firing pin	11 Trigger lever pin
2 Cartridge chamber	7 Firing pin spring	12 Cocking disk
3 Guiding tube	8 Trigger lever	13 Supporting nut
4 Piston guide	9 Trigger lever guide	14 Spring washer
5 Piston	10 Trigger spring	15 Rubber insert