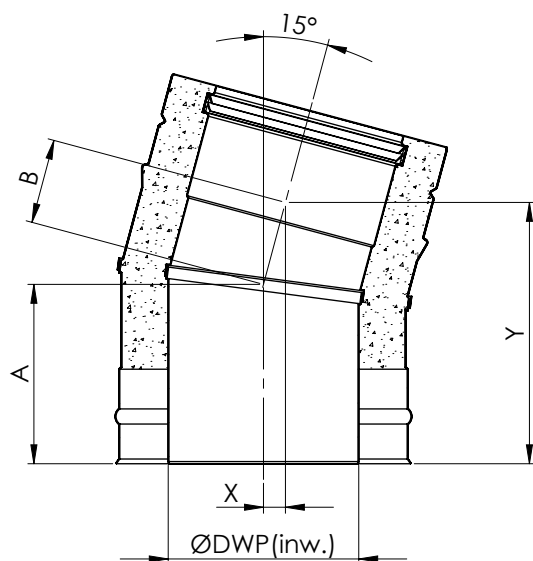


Bocht 15° DWP



DWP	A	B	X	Y
80	94	44	11	136
100	95	45	12	138