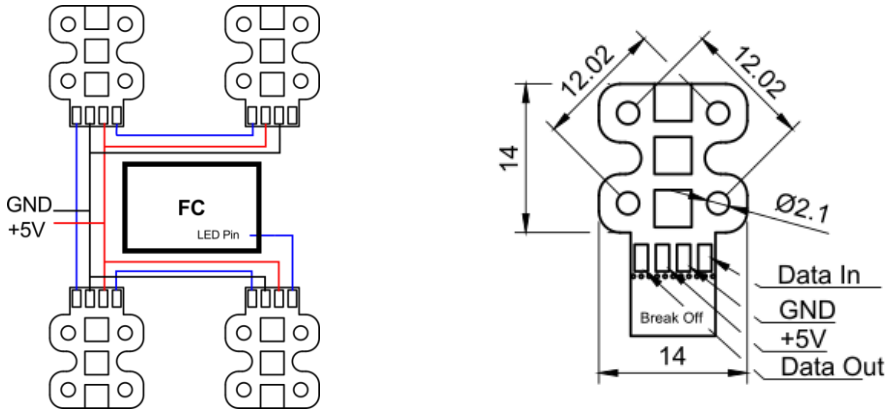


# User Manual

## Manaz MotorLEDMicro – WS2812

### Connection Diagram / Mechanical Drawing



### Assembly

The MANAZ MotorLEDs should be mounted below the motors on the bottom side of the frame. Therefore remove the screws that keep the motor in place, stick them through the holes of the led module and screw them back into the motor.

The diameter of the mounting holes is 2,1mm (perfect for M2 screws) but can be widened to up to 3mm to fit different kinds of motors. The part of the pcb on which the pad descriptions are written can be broken off to reduce weight.

We advise you to cover the backside of the leds with isolating tape to avoid shorting with the frame.

Power requirement (Color: White) 0,5W per Module

Soldering temperature (max.) 300°C

Soldering duration per pad (max.) 3s

### EG – Declaration of Conformity

MANAZ hereby declares that the MANAZ MotorLEDMicro – WS2812 (MLEDM2812) fulfil all requirements to conform with EU-Regulation 765/2008. A copy of the declaration of conformity is available on request.

MANAZ GmbH  
Mittlere Wende 30  
33739 Bielefeld  
ce@manaz.de