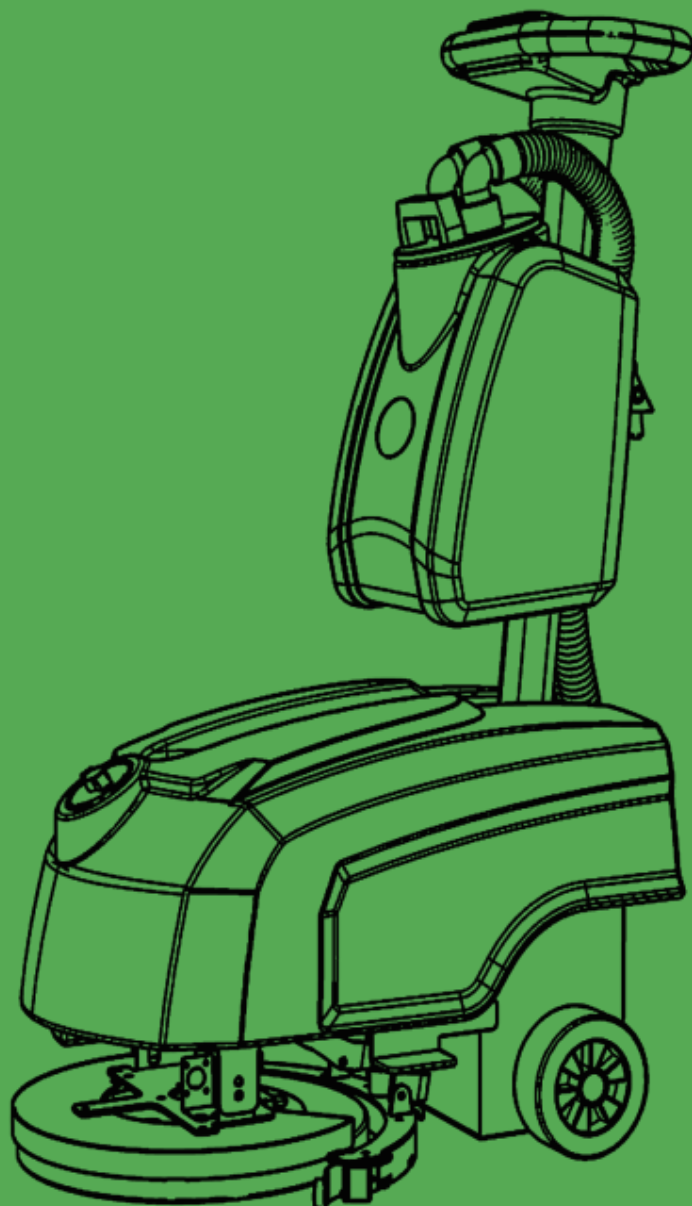


STAHLFEST

SCRUBBER

SFSD350



INDEX

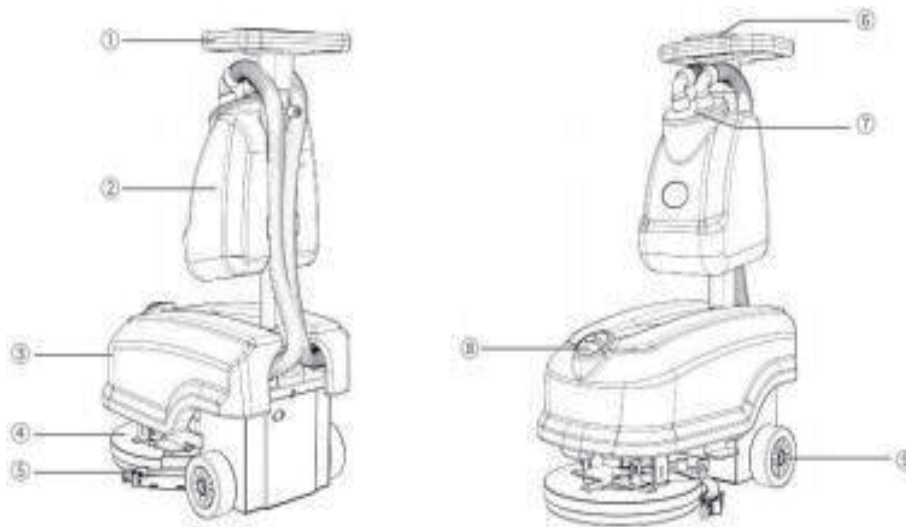
1.CHAPTER 1 GENERAL DESCRIPTION.....	1
2.CHAPTER 2 SAFETY GUIDANCE	2
3.CHAPTER 3 ROUTINE MAINTENANCE AND DISASSEMBLY AND.....	
REPLACEMENT OF WEARING PARTS.....	3
4.TECHNICAL DATA.....	5
5.EXPLODED VIEW AND SPARE PART LIST.....	6
6. DECLARATION OF CONFORMITY.....	11
7. WARRANTY.....	12

1. CHAPTER 1 GENERAL DESCRIPTION

1.1 Suitable scenes

This product can be used in multiple scenes such as restaurants, schools, hospitals, factories, supermarkets and office buildings and has good cleaning effects on floors of epoxy, PVC, terrazzo, ceramic tile, wood and rubber. The user can choose between various kinds of brush plates to suit different types of floors so as to maximize the cleaning efficiency.

1.2 Overview of the product



- | | | | | |
|---------------|--------------------|---------------------|---------------------|----------------------|
| ① Handrail | ③ Clean water tank | ⑤ Squeegee | ⑦ Sewage tank cover | ⑨ Anti-slippery tire |
| ② Sewage tank | ④ Brush plate | ⑥ Controlling panel | ⑧ Water inlet | |

2. CHAPTER 2 SAFETY GUIDANCE

It is the user's obligation to read this manual carefully before using the machine. Detailed instructions on the operation and maintenance of the machine are presented in this manual and should be strictly followed to prevent accidents. The original manufacturer will NOT be responsible for any injury and loss caused due to the user's improper operation.

2.1 Cautions

The operator must be well trained before using the machine, or accidents may take place and injury or loss will be caused.

- > To avoid fire accidents, the machine can only be used to clean non-explosion-proof ground.
- > Do NOT use the machine if it is not well assembled, or accidents may take place and injury or loss will be caused. Before operating the machine, check whether it is complete and well assembled.
- > Any maintenance and repair must be realized by professional personnel.
- > Make sure that the power is disconnected before maintaining or repairing the machine.

2.2 Operation instructions

- > Check the polarities of the batteries repeatedly before wiring them, as wrong connection will cause damage to all the electric components of the machine and must be prevented.
- > Use chargers accompanying the batteries, or damage and even explosion will be produced.
- > Maintenance and repair of the machine must be realized by a professional technician, or accidents and economic loss are likely to be caused.
- > Do NOT expose the electric components of the machine to water or damp environments, or they may be short-circuited and unable to work.
- > The charging room must be well ventilated. When charging the batteries, use an E-core power cord and power supply with a ground wire. In order to minimize the odds of electric shocks, please use a residual-current circuit breaker (RCCB).
- > It is strictly forbidden to put any objects on the batteries.
- > When washing the machine, do NOT let any water into the suction motor.
- > Pay special attention to the alerting signals on the surface of the machine.
- > Do NOT use the machine on slopes and the tough ground. Do NOT be seated on the machine. Keep any part of your body from the moving parts of the machine.
- > Be cautious when the machine is walking along edges. Pay attention to the space between the anti-collision wheels and the wall. Do NOT move the machine over small obstacles.

2.3 Safety instructions

- > Since the machine is heavy and contains fragile components, special attention must be paid if it needs to be transported. When transporting the machine, take out the batteries first, and lift the machine by the metal bracket on its bottom. Do NOT put the focus on the machine body.
- > Do NOT store or operate the machine (as well as the batteries) in places with flammable or explosive gases and liquids.

2.4 Safety requirements for the batteries

- > The batteries must NOT be in a low voltage state; charge the batteries as soon as possible when the voltage is below 42 V;
- > To avoid electric leakage, keep the batteries dry and clean;
- > Do NOT put metallic objects (such as tools) on the batteries to prevent them from being short-circuited and burned;
- > The charging room should be well ventilated;
- > When the key switch is in the position "ON", do NOT install or remove the batteries;
- > Before installing or removing the batteries, disconnect first the negative wire (-) and then the positive wire (+). When rewiring, pay special attention to the polarity of the batteries, as wrong connection would probably damage electrical components;

3. CHAPTER 3 ROUTINE MAINTENANCE AND DISASSEMBLY AND REPLACEMENT OF WEARING PARTS

3.1 Preparation

- > Choose the appropriate detergent as well as the most suitable concentration. Normally two glasses of detergent will be sufficient (please reduce the amount of detergent used to protect the environment). Defoamer should also be used to eliminate foam in the sewage tank and extend the service life of the suction motor.
- > Add detergent from the front water inlet first, and then add clean water.
- > If you need to use tap water, you can insert the tap water pipe into the water inlet on the side of the machine. Pay attention to the water level so as to avoid overflows.

3.2 Starting the work

- > Before starting the work, we recommend that you sweep the ground manually to remove large sundries and make sure that there is no block of soil or dust, stone pieces and paper scraps. This will help boost your working efficiency and protect the machine.
- > Turn on the switch and then the current voltage of the batteries will be displayed. If there is no sufficient power, charge the batteries immediately before using the machine.

3.3 During the work

- > Turn the forward/backward button to the forward gear and turn on the brush plate motor and the suction motor. Use the water amount adjusting handle to control the amount of water and detergent.
- > Turn on the brush plate motor, open the electromagnetic valve to start the work.
- > If there is accumulated water on the ground after work, you can lift the brush plate, turn on the suction motor and then move the machine forward and backward repeatedly in the working area until the water is removed. If there are deep grooves on the ground, the accumulated water cannot be removed by the machine and can only be dealt with in other ways.

Note:

When the suction motor is abnormal during the work or the squeegee cannot work normally, stop the machine immediately and do the following checks.

- > Check whether the sewage tank is filled. In this case, discharge the sewage tank immediately. If the sewage tank is not filled, check whether the joint part of the squeegee is blocked, and remove the blockage immediately if this is the case.
- > If there is a great amount of foam in the sewage tank, add a certain amount of defoamer to the sewage tank.

3.4 Replacement of the brush plate

- > Put the brush plate to be installed under the brush plate cover and make sure that its head is aligned with the bayonet. Press the brush plate motor button and the plate will be installed automatically with the rotation of the motor. The brush plate can also be installed manually.
- > For inexperienced personnel, it is recommended to install the brush plate manually.

3.5 Removal of the batteries

- > Turn off all the buttons.
- > Open the bayonet of the batteries, remove the battery cords and take out the batteries.

3.6 Replacement and maintenance of the squeegee

The squeegee is an important part of the machine and will become gradually worn due to its friction with the ground. When the water suction efficiency is reduced, do the following checks.

- > Check whether there are foreign objects in the plastic scraper;
- > Check whether the joint of the squeegee and the hose is blocked;

- > Check whether the angle between the scraper and the ground is appropriate (the angle can be adjusted through the universal wheels of the squeegee);
- > Check whether the squeegee is seriously worn;
- > Both sides of the squeegee can be used for water suction; if both sides are seriously worn, the squeegee should be replaced.
- > If the machine is used in a heavily oily environment, please purchase the specific oil-resistant squeegee.

3.7 After the cleaning

- > Discharge the sewage tank and wipe the surface of the machine with a dry cloth.
- > Lift the brush plate and the squeegee.
- > Store the machine in a dry indoor place with no flame, chemical substances and flammable gases or liquids.

4. TECHNICAL DATA

Cleaning width: 350 mm

Battery capacity: 24 V/32 Ah

Squeegee width :450mm

Work efficiency :1350 m²/h

Clean water tank:10L

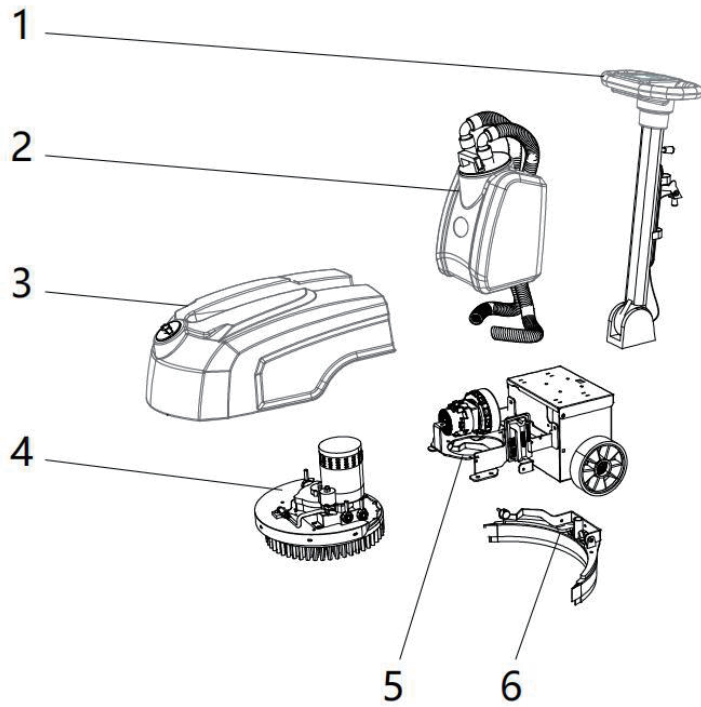
Sewage tank: 15L

Brush plate motor :300W

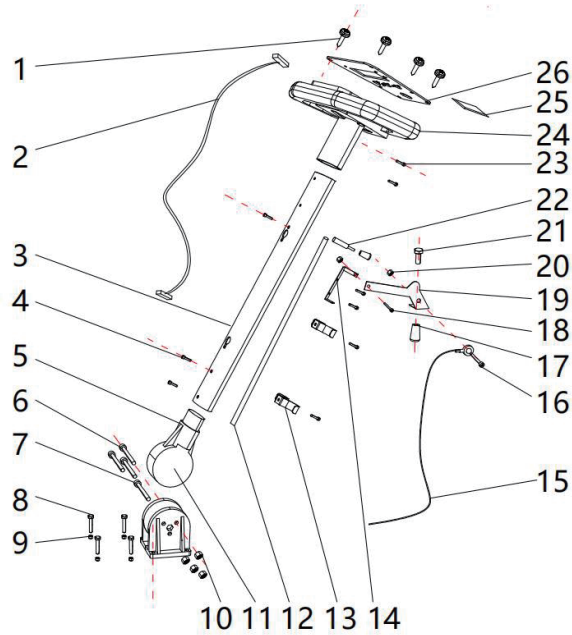
Suction motor: 400W

Product size: 700*450*1050mm

5. EXPLODED VIEW AND SPARE PART LIST



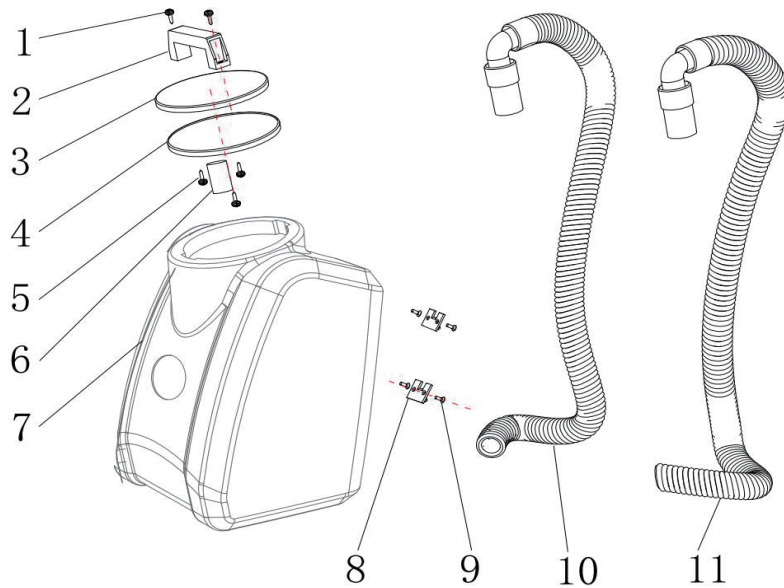
No.	Name
1	Direction parts
2	Recovery tank parts
3	Solution tank parts
4	Brush plate parts
5	Chassis parts
6	Squeegee parts



1. Direction parts

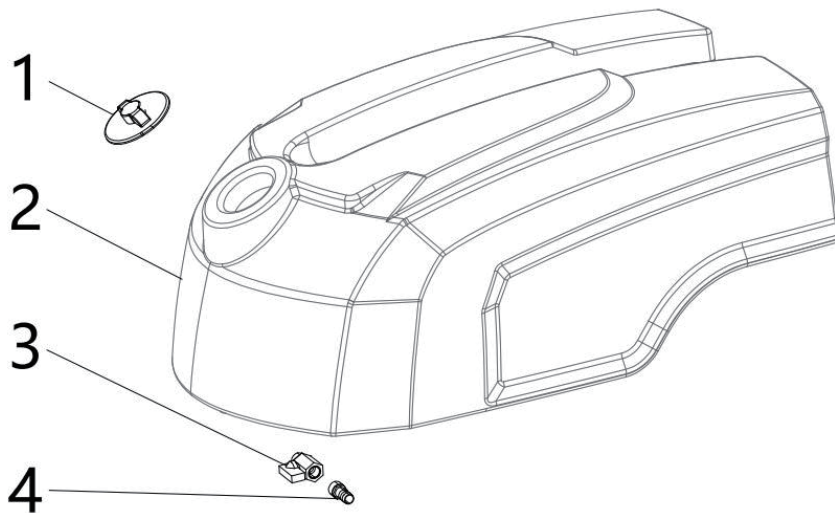
No.	Code	Name	Specification	Quantity
1	B1030-39095	Cross flat-headed self-tapping screw	3.9*9.5	4
2	X01A1-06001	Main harness	3 ends*1400mm	1
3	X01A0-05001	Aluminum rod	Oval 570mm*T=2.5mm	1
4	B1130-04016	Hexagon countersunk head screws	M4*16	6
5	X01A0-05011	Aluminum cover	Inner diameter φ66*210mm	1
6	B0530-06070	Inner hexagon	M6*70	3
7		Inner hexagon	M8*50	1
8		Outer hexagon	M8*20	4
9	B4223-00008	Lock nut M8	M8	5
10		Lock nut	M6	3
11	X01A0-09031	Round gear	φ66*T=23mm	1
12	X01A0-09231	Fully threaded screw	M5*580mm	1

13	X01A0-09101	Bilateral riding buckle	$\phi 33 * T = 2.2 \text{mm}$	2
14		Squeegee handle bracket 2		1
15	X01A0-09201	Squeegee hanging rope	$\phi 6.2$ to $\phi 5$ Through hole*1040mm	1
16		Hexagon socket head screw	M5*16	1
17	X12A0-09011	Orange handle	Orange $\phi 8$ Inner diameter*26mm	2
18		Pan head hexagon	M5*10	1
19	X01A0-02081	Squeegee handle bracket 1		1
20	B4223-00005	Lock nut	M5	2
21	B0330-08016	Outer hexagon bolt	M8*16	1
22	X01A0-02131	Handle axle		1
23		Countersunk head screw	M6*16	2
24	X04A0-23021	Steering wheel	M30 Chancee grey	1
25	X47A1-05011	Card switch	Blue	1
26	X04A1-06001	Control panel	M30 Chancee color	1



2. Recovery tank

No.	Code	Name	Specification	Quantity
1	B1030-39016	Cross flat-headed self-tapping screw	3.9*16	2
2	X04A0-09011	Recovery tank cover handle	Orange Hole spacing 82mm	1
3	X04A0-09001	Recovery tank cover	M30 Orange Double-hole $\phi 127$	1
4	X01A0-09061	Recovery tank cover sealing strip	Black rubber Inner diameter $\phi 133$	1
5	B1030-39095	Cross flat-headed self-tapping screw	3.9*9.5	3
6	X01A0-09051	Two-ball float ball cage	$\phi 42*100$ mm	1
7	X04A0-23011	Recovery tank	M30 Dark grey	1
8	X01A0-02101	Tank buckle		2
9	B0930-05012	Cross pan head screws	M5*12	4
10	X01A0-09091	Suction tube	Bent inner diameter $\phi 24*1250$ mm (X1 series)	1
11	X01A0-09071	Sewage suction tube	Bent inner diameter $\phi 24*1450$ mm (X1 series)	1



3.Solution tank parts

No.	Code	Name	Specification	Quantity
1	X12A0-09001	Solution tank cover	Yellow $\phi 70$ Fully threaded (X1、X7 series)	1
2	X04A0-23001	Solution tank	M30 Grey	1
3	X01A0-09151	Water outlet valve	G $\frac{1}{4}$ Inner wire to G $\frac{1}{4}$ Outer wire (304X1)	1
4	X01A0-09121	Straight copper joint	G $\frac{1}{4}$ to $\phi 10.5$ Pagoda-shaped joint	1

EC Declaration of Conformity

Model Name: SFSD350

Model: Scrubber

Brand: **Stahlfest**

We Gema Tools B.V.,

Declare under our sole responsibility that this product is in conformity and accordance with the following standards and regulations.

The undersigned is responsible for the compilation of the technical documentation.

the requirement of the Council Directives:

2014/35/EU Low Voltage Directive

2014/30/EU Electromagnetic Compatibility Directive

And conforms to the norms:

EN 60335-1:2012+A15:2021; EN 60335-2-67:2012; EN 62233:2008

EN IEC 55014-1:2021; EN IEC 55014-2:2021

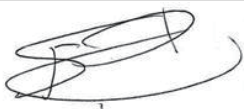
EN IEC 61000-3-2:2019+A1:2021;

Date:

Signature and Stamp on undersigned responsible.

30-01-2023

Legal Representative: Piet Gerrits



WARRANTY CARD

Product model	Date of sale
Serial number	Company
Username	Client's signature

The product is in good conditions and fully complete. Read and agree the terms of the warranty.

GUARANTEE

The warranty period starts from the date of sale of the products and covers 1 year for all power products. During the warranty period, free failures caused due to the use of poor-quality materials in the production and manufacturer workmanship admitted fault are removed. The guarantee comes into force only when warranty card and cutting coupons are properly filled. The product is accepted for repair in its pure form and full completeness. Purchase invoice from the officially affiliated dealer must be shown for the granting of the warranty.

WARRANTY DOES NOT COVER

- Mechanical damage (cracks, chips, etc.) and damage caused by exposure to aggressive media, foreign objects inside the unit and air vents, as well as for damage occurred as a result of improper storage (corrosion of metal parts);
- Failures caused by overloading or product misuse, use of the product for other purposes. A sure sign of overload products is melting or discoloration of parts due to the high temperature, simultaneous failure of two or more nodes, teaser on the surfaces of the cylinder and the piston or destruction of piston rings. Also, the warranty does not cover failure of the automatic voltage regulator due to incorrect operation;
- Failure caused by clogging of the fuel and cooling systems;
- Wearing parts (carbon brushes, belts, rubber seals, oil seals, shock absorbers, springs, clutches, spark plugs, mufflers, nozzles, pulleys, guide rollers, cables, recoil starter, chucks, collets, removable batteries, filters and safety elements, grease, removable devices, equipment, knives, drills, etc.);
- Electrical cables with mechanical and thermal damage;
- Product opened or repaired by a non-authorized service center.
- Prevention, care products (cleaning, washing, lubrication, etc.), installation and configuration of the product;
- Natural wear products (production share);
- Failures caused by using the product for the needs related to business activities;
- If the warranty card is empty or missing seal (stamp) of the Seller;
- The absence of the holder's signature on the warranty card

SFSD350

SFSD350

SFSD350



INHALTSVERZEICHNIS

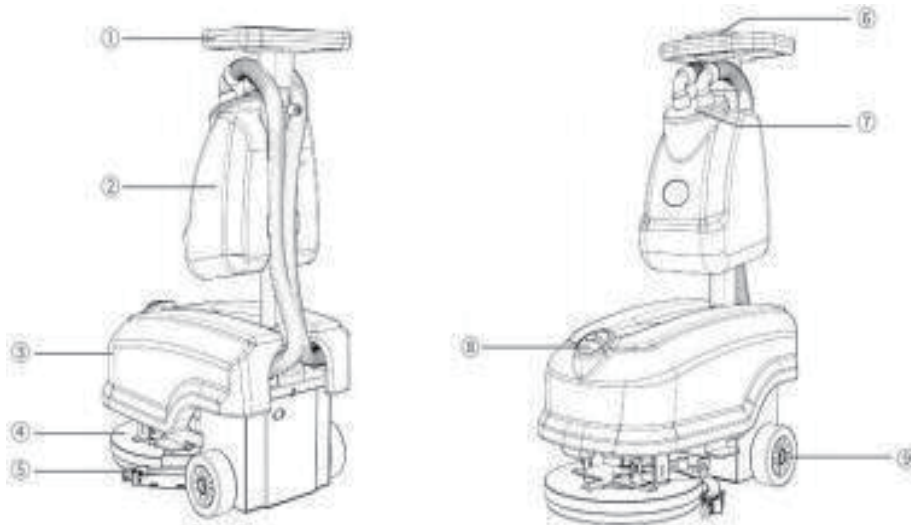
1. KAPITEL 1 ALLGEMEINE BESCHREIBUNG.....	1
2. KAPITEL 2 SICHERHEITSANLEITUNGEN.....	2
3. KAPITEL 3 REGELMÄSSIGE WARTUNG UND DEMONTAGE UND AUSTAUSCH VERSCHLEISSERSCHEINUNGEN.....	4
4. TECHNISCHE DATEN.....	6
5. SCHNITTDARSTELLUNG UND ERSATZTEILLISTE.....	7
6. KONFORMITÄTSERKLÄRUNG.....	12
7. GARANTIE.....	13

1. KAPITEL 1 ALLGEMEINE BESCHREIBUNG

1.1 Geeignete Szenen

Dieses Produkt kann in verschiedenen Umgebungen eingesetzt werden, darunter Restaurants, Schulen, Krankenhäuser, Fabriken, Supermärkte und Bürogebäude, und erzielt gute Reinigungsergebnisse auf Böden aus Epoxid, PVC, Terrazzo, Keramikfliesen, Holz und Gummi. Der Benutzer kann zwischen verschiedenen Arten von Bürstplatten wählen, um unterschiedliche Bodentypen zu berücksichtigen und so die Reinigungseffizienz zu maximieren.

1.2 Überblick über das Produkt



1. Handlauf	3 Sauberes Wasserreservoir	5. Abzieher	7. Abwassertankabdeckung	9. Rutschfester Reifen
2. Abwassertank	4. Bürstenplatte	6. Steuerungspanel	8. Wassereinlass	

2. KAPITEL 2 SICHERHEITSANLEITUNGEN

Es liegt in der Verantwortung des Benutzers, diese Anleitung sorgfältig vor der Verwendung der Maschine zu lesen. Detaillierte Anweisungen zur Bedienung und Wartung der Maschine finden sich in dieser Anleitung und sollten strikt befolgt werden, um Unfälle zu verhindern. Der ursprüngliche Hersteller wird NICHT für Verletzungen und Verluste haftbar sein, die auf unsachgemäße Bedienung durch den Benutzer zurückzuführen sind.

2.1 Vorsichtsmaßnahmen

Der Bediener muss vor der Verwendung der Maschine gut ausgebildet sein, da andernfalls Unfälle auftreten können und Verletzungen oder Verluste verursacht werden können.

- > Um Brandunfälle zu vermeiden, darf die Maschine nur zur Reinigung von nicht explosionsgeschütztem Boden verwendet werden.
- > VERWENDEN Sie die Maschine NICHT, wenn sie nicht ordnungsgemäß zusammengebaut ist, da andernfalls Unfälle auftreten können, die Verletzungen oder Verluste verursachen können. Überprüfen Sie vor der Inbetriebnahme der Maschine, ob sie vollständig und gut montiert ist.
- > Jegliche Wartungs- und Reparaturarbeiten müssen von Fachpersonal durchgeführt werden.
- > Stellen Sie sicher, dass die Stromversorgung getrennt ist, bevor Sie die Maschine warten oder reparieren.

2.2 Betriebsanweisungen

- > Überprüfen Sie die Polaritäten der Batterien wiederholt, bevor Sie sie verdrahten, da eine falsche Verbindung zu Schäden an allen elektrischen Komponenten der Maschine führen kann und vermieden werden muss.
- > Verwenden Sie Ladegeräte, die mit den Batterien mitgeliefert werden, da sonst Schäden und sogar Explosionen auftreten können
- > Die Wartung und Reparatur der Maschine muss von einem professionellen Techniker durchgeführt werden, da sonst Unfälle und wirtschaftliche Verluste wahrscheinlich auftreten können.
- > Setzen Sie die elektrischen Komponenten der Maschine NICHT Wasser oder feuchten Umgebungen aus, da sie sonst kurzgeschlossen werden können und nicht mehr funktionieren.
- > Der Laderaum muss gut belüftet sein. Verwenden Sie beim Laden der Batterien ein E-Kern-Netzkabel und eine Stromversorgung mit einem Erdungsdraht. Um die Wahrscheinlichkeit von elektrischen Schlägen zu minimieren, verwenden Sie bitte einen Fehlerstromschutzschalter (RCCB).
- > Es ist strengstens verboten, irgendwelche Gegenstände auf die Batterien zu legen.
- > Beim Reinigen der Maschine darf KEIN Wasser in den Saugmotor gelangen.
- > Besondere Aufmerksamkeit sollte den Warnsignalen auf der Oberfläche der Maschine geschenkt werden
- > Die Maschine darf NICHT auf Hängen und unwegsamem Gelände verwendet werden. Sie dürfen NICHT auf der Maschine sitzen. Halten Sie jegliche Körperteile von den beweglichen Teilen der Maschine fern.
- > Seien Sie vorsichtig, wenn die Maschine an Kanten entlangfährt. Beachten Sie den Abstand zwischen den Anti-Kollisionsrädern und der Wand. Bewegen Sie die Maschine NICHT über kleine Hindernisse.

2.3 Sicherheitsanweisungen

- > Da die Maschine schwer ist und empfindliche Komponenten enthält, muss besondere Aufmerksamkeit geschenkt werden, wenn sie transportiert werden muss. Beim Transport der Maschine nehmen Sie zuerst die Batterien heraus und heben Sie die Maschine am Metallträger an der Unterseite an. Legen Sie NICHT den Fokus auf den Maschinenkörper.
- > Lagern oder betreiben Sie die Maschine (sowie die Batterien) NICHT an Orten mit entzündlichen oder explosiven Gasen und Flüssigkeiten.

2.4 Sicherheitsanforderungen für die Batterien

- > Die Batterien dürfen sich NICHT in einem Zustand mit niedriger Spannung befinden; laden Sie die Batterien so bald wie möglich, wenn die Spannung unter 42 V liegt.
- > Um elektrische Leckagen zu vermeiden, halten Sie die Batterien trocken und sauber
- > Legen Sie KEINE metallischen Gegenstände (wie Werkzeuge) auf die Batterien, um zu verhindern, dass sie kurzgeschlossen und beschädigt werden.
- > Der Laderaum sollte gut belüftet sein;
- > Wenn der Schlüsselschalter in der Position "ON" ist, installieren oder entfernen Sie KEINE Batterien;
- > Bevor Sie die Batterien installieren oder entfernen, trennen Sie zuerst das negative Kabel (-) und dann das positive Kabel (+). Bei der Neuverkabelung achten Sie besonders auf die Polarität der Batterien, da eine falsche Verbindung wahrscheinlich elektrische Komponenten beschädigen würde;

3. KAPITEL 3 REGELMÄSSIGE WARTUNG UND DEMONTAGE UND AUSTAUSCH VERSCHLEISSERSCHEINUNGEN

3.1 Vorbereitung

- > Wählen Sie das geeignete Reinigungsmittel sowie die geeignetste Konzentration aus. Normalerweise reichen zwei Gläser Reinigungsmittel aus (bitte reduzieren Sie die Menge des verwendeten Reinigungsmittels, um die Umwelt zu schützen). Verwenden Sie auch Entschäumer, um Schaum im Abwassertank zu beseitigen und die Lebensdauer des Saugmotors zu verlängern.
- > Fügen Sie das Reinigungsmittel zuerst über den vorderen Wasserzulauf hinzu und dann sauberes Wasser.
- > Wenn Sie Leitungswasser verwenden müssen, können Sie das Leitungswasserrohr in den seitlichen Wasserzulauf der Maschine stecken.
Achten Sie auf den Wasserstand, um Überläufe zu vermeiden.

3.2 Arbeitsbeginn

- > Vor Beginn der Arbeit empfehlen wir, den Boden manuell zu fegen, um größere Verschmutzungen zu entfernen und sicherzustellen, dass keine Erdbrocken, Staub, Steine und Papierreste vorhanden sind. Dies wird Ihre Arbeitsleistung steigern und die Maschine schützen.
- > Schalten Sie den Schalter ein, und dann wird die aktuelle Spannung der Batterien angezeigt. Wenn nicht ausreichend Energie vorhanden ist, laden Sie die Batterien sofort vor der Verwendung der Maschine auf.

3.3 Während der Arbeit

- > Stellen Sie den Vorwärts-/Rückwärts-Schalter auf den Vorwärtsgang und schalten Sie den Bürstenplattenmotor und den Saugmotor ein.
Verwenden Sie den Wasserreguliergriff, um die Wassermenge und das Reinigungsmittel zu kontrollieren.
- > Schalten Sie den Bürstenplattenmotor ein, öffnen Sie das elektromagnetische Ventil, um mit der Arbeit zu beginnen.
- > Wenn nach der Arbeit Wasser auf dem Boden steht, können Sie die Bürstenplatte anheben, den Saugmotor einschalten und die Maschine wiederholt in der Arbeitsfläche vorwärts und rückwärts bewegen, bis das Wasser entfernt ist. Wenn es tiefe Rillen im Boden gibt, kann das angesammelte Wasser von der Maschine nicht entfernt werden und muss auf andere Weise behandelt werden.

Hinweis:

Wenn der Saugmotor während der Arbeit abnormal funktioniert oder das Abstreifgummi nicht normal arbeiten kann, stoppen Sie die Maschine sofort und führen Sie die folgenden Überprüfungen durch:

- > Überprüfen Sie, ob der Abwassertank gefüllt ist. In diesem Fall leeren Sie den Abwassertank sofort. Wenn der Abwassertank nicht gefüllt ist, überprüfen Sie, ob der Verbindungspunkt des Abstreifgummis blockiert ist, und entfernen Sie die Blockade sofort, wenn dies der Fall ist.
- > Wenn sich eine große Menge Schaum im Abwassertank befindet, fügen Sie eine bestimmte Menge Entschäumer in den Abwassertank hinzu.

3.4 Austausch der Bürstenplatte

- > Legen Sie die zu installierende Bürstenplatte unter die Bürstenplattenabdeckung und stellen Sie sicher, dass ihr Kopf mit dem Bajonett ausgerichtet ist. Drücken Sie den Bürstenplattenmotor-Knopf, und die Platte wird automatisch mit der Drehung des Motors installiert. Die Bürstenplatte kann auch manuell installiert werden.
- > Für unerfahrenes Personal wird empfohlen, die Bürstenplatte manuell zu installieren.

3.5 Entfernen der Batterien

- > Schalten Sie alle Schalter aus.
- > Öffnen Sie das Bajonett der Batterien, trennen Sie die Batteriekabel und nehmen Sie die Batterien heraus.

3.6 Austausch und Wartung des Abstreifgummis

Das Abstreifgummi ist ein wichtiger Bestandteil der Maschine und wird aufgrund der Reibung mit dem Boden allmählich abgenutzt. Wenn die Effizienz der Wasseraufnahme reduziert ist, führen Sie die folgenden Überprüfungen durch.

- > Überprüfen Sie, ob sich Fremdkörper im Kunststoffschaber befinden;
- > Überprüfen Sie, ob die Verbindung des Abstreifgummis und des Schlauchs blockiert ist;
- > Überprüfen Sie, ob der Winkel zwischen dem Schaber und dem Boden angemessen ist (der Winkel kann über die Universalräder des Abstreifgummis eingestellt werden);
- > Überprüfen Sie, ob das Abstreifgummi stark abgenutzt ist;
- > Beide Seiten des Abstreifgummis können zur Wasseraufnahme verwendet werden; wenn beide Seiten stark abgenutzt sind, sollte das Abstreifgummi ausgetauscht werden.
- > Wenn die Maschine in einer stark öligen Umgebung verwendet wird, erwerben Sie bitte das spezielle ölbeständige Abstreifgummi.

3.7 Nach der Reinigung

- > Entleeren Sie den Abwassertank und wischen Sie die Oberfläche der Maschine mit einem trockenen Tuch ab.
- > Heben Sie die Bürstenplatte und das Abstreifgummi an.
- > Lagern Sie die Maschine an einem trockenen Ort in Innenräumen ohne Flammen, chemische Substanzen und entzündliche Gase oder Flüssigkeiten.

4. TECHNISCHE DATEN

Reinigungsbreite: 350 mm

Batteriekapazität: 24 V/32 Ah

Abstreifgummi-Breite: 450 mm

Arbeitseffizienz: 1350 m²/h

Frischwassertank: 10 Liter

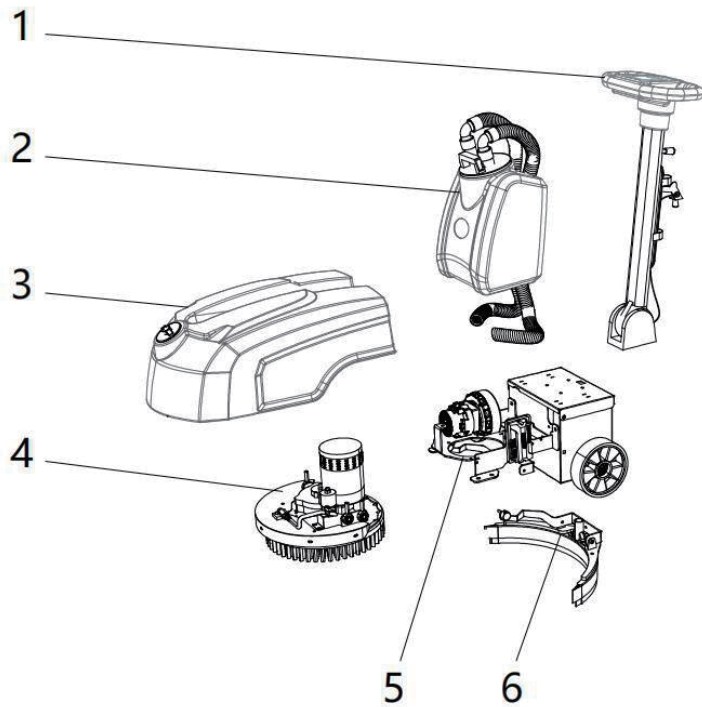
Abwassertank: 15 Liter

Bürstenplattenmotor: 300 W

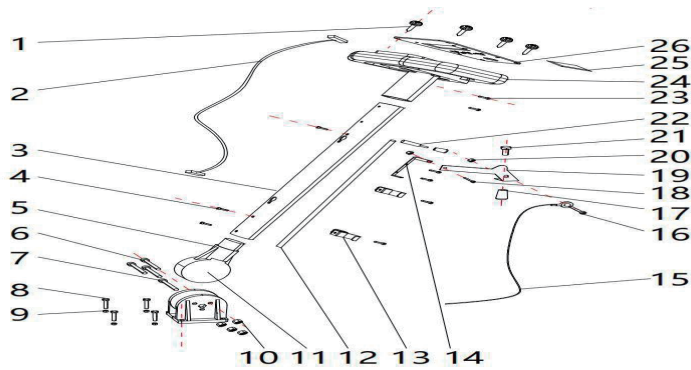
Saugmotor: 400 W

Produktgröße: 700*450*1050 mm

5. SCHNITTDARSTELLUNG UND ERSATZTEILLISTE



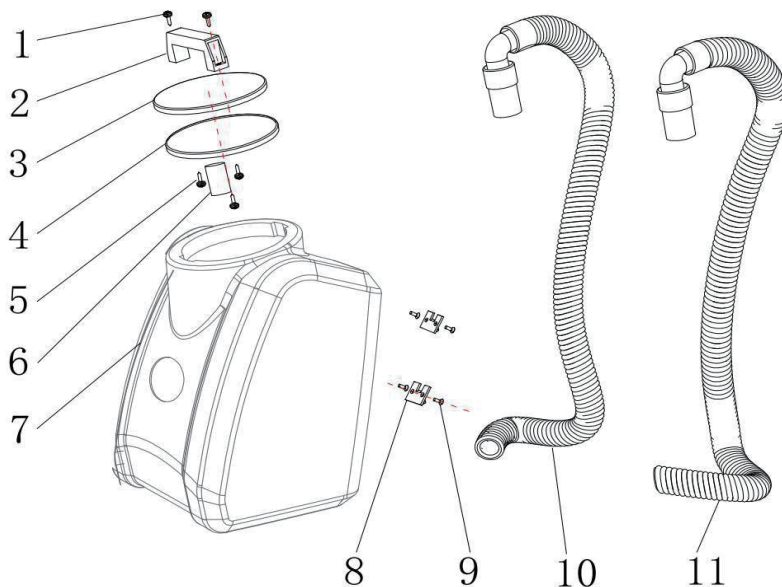
No.	Name
1	Richtungsteile
2	Teile des Auffangbehälters
3	Teile des Lösungsmitteltanks
4	Teile der Bürstenplatte
5	Teile des Fahrgestells
6	Teile des Abstreifgummis



1. Richtungsteile

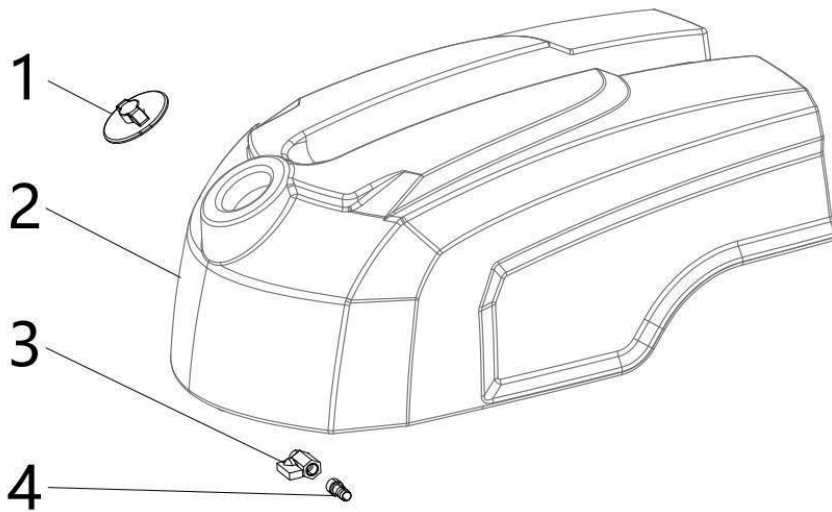
No.	Code	Name	Spezifikation	Menge
1	B1030-39095	Kreuzschlitz-Linsenkopf-Selbstschneidschraube	3.9*9.5	4
2	X01A1-06001	Hauptkabelbaum	3ends*1400mm	1
3	X01A0-05001	Aluminiumstange	Oval 570mm*T=2.5mm	1
4	B1130-04016	Sechskantsenkschrauben	M4*16	6
5	X01A0-05011	Aluminiumabdeckung	Innerdiameter φ66*210mm	1
6	B0530-06070	Inbusschlüssel	M6*70	3
7		Inbusschlüssel	M8*50	1
8		Außensechskant	M8*20	4
9	B4223-00008	Sicherungsmutter M8	M8	5
10		Sicherungsmutter	M6	3
11	X01A0-09031	Rundzahnrad	φ66*T=23mm	1
12	X01A0-09231	Vollgewindeschraube	M5*580mm	1

13	X01A0-09101	Beidseitige Reitenschnalle	$\phi 33 * T = 2.2 \text{mm}$	2
14		Abstreifgummi-Griffhalterung 2		1
15	X01A0-09201	Abstreifgummi-Aufhängerseil	$\phi 6.2 \text{ to } \phi 5$ Through hole * 1040mm	1
16		Sechskant-Innensechskopfschraube	M5*16	1
17	X12A0-09011	Oranger Griff	Orange $\phi 8$ Innerdiameter * 26mm	2
18		Sechskopf-Flachkopfschraube	M5*10	1
19	X01A0-02081	Abstreifgummi-Griffhalterung 1		1
20	B4223-00005	Sicherungsmutter	M5	2
21	B0330-08016	Außensechskantschraube	M8*16	1
22	X01A0-02131	Griffachse		1
23		Senkkopfschraube	M6*16	2
24	X04A0-23021	Lenkrad	M30 Chancee grey	1
25	X47A1-05011	Kartenschalter	Blue	1
26	X04A1-06001	Bedienfeld	M30 Chancee color	1



2. Auffangbehälter

No.	Code	Name	Spezifikation	Menge
1	B1030-39016	Kreuzschlitz-Linsenkopf Selbstschneidschraube	3.9*16	2
2	X04A0-09011	Griff der Auffangbehälterabdeckung	OrangeHolespacing 82mm	1
3	X04A0-09001	Abdeckung des Auffangbehälters	M30 Orange Double-hole φ127	1
4	X01A0-09061	Dichtungstreifen für die Abdeckung des Auffangbehälters	Blackrubber Innerdiameter φ133	1
5	B1030-39095	Kreuzschlitz-Linsenkopf- Selbstschneidschraube	3.9*9.5	3
6	X01A0-09051	Zwei-Kugel-Floßkäfig	φ42*100mm	1
7	X04A0-23011	Auffangbehälter	M30 Dark grey	1
8	X01A0-02101	Behälterverschluss		2
9	B0930-05012	Kreuzschlitz- Flachkopfschrauben	M5*12	4
10	X01A0-09091	Saugrohr	Bentinnerdiameterφ 24*1250mm (X1 series)	1
11	X01A0-09071	Abwassersaugrohr	Bentinnerdiameterφ 24*1450mm (X1 series)	1



3. Teile des Lösungsmitteltanks

No.	Code	Name	Spezifikation	Menge
1	X12A0-09001	Abdeckung des Lösungsmitteltanks	Yellow ϕ 70 Fully threaded (X1,X7 series)	1
2	X04A0-23001	Lösungsmitteltank	M30 Grey	1
3	X01A0-09151	Wasserablassventil	G $\frac{1}{4}$ Inner wire to G $\frac{1}{4}$ Outer	1
4	X01A0-09121	Gerades Kupfergelenk	Wire (304x1) G $\frac{1}{4}$ to ϕ 10.5 Pagoda-Shaped joint	1

EC Declaration of Conformity

Model Name: SFSD350
Scrubber

Brand: **Stahlfest**

We Gema Tools B.V.,

Declare under our sole responsibility that this product is in conformity and accordance with the following standards and regulations.

The undersigned is responsible for the compilation of the technical documentation. Satisfies

the requirement of the Council Directives:

2014/35/EU Low Voltage Directive

2014/30/EU Electromagnetic Compatibility Directive

And conforms to the norms:

EN 60335-1:2012+A15:2021; EN 60335-2-67:2012; EN 62233:2008

EN IEC 55014-1:2021; EN IEC 55014-2:2021

EN IEC 61000-3-2:2019+A1:2021;

Date:

30-01-2023

Signature and Stamp on undersigned responsible.

Legal Representative: Piet Gerrits



GARANTIEKARTE

Produktmodell Verkaufsdatum	Verkaufsdatum
Seriennummer	Unternehmen
Nutzername	Unterschrift des kunden

Das Produkt ist in gutem Zustand und vollständig. Lesen Sie die Garantiebedingungen und stimmen Sie ihnen zu.

GARANTIE

Die Garantiezeit beginnt mit dem Verkaufsdatum der Produkte und beträgt 1 Jahr für alle Power-Produkte. Während der Garantiezeit werden kostenlose Ausfälle durch die Verwendung minderwertiger Materialien verursacht. Qualität in der Produktion und erkannte Herstellungsmängel beseitigt. Die Garantie tritt erst in Kraft, wenn der Garantiekarte und Zuschmittsscheine sind korrekt ausgefüllt. Das Produkt wird in seiner reinen Form und Vollständigkeit präsentiert zur Reparatur angenommen. Voraussetzung für die Gewährung der Garantie ist, dass die Kaufrechnung vom offiziell anerkannten Lieferanten stammt Händler angezeigt.

DIE GARANTIE GILT NICHT

- Mechanische Schäden (Risse, Späne usw.) und Schäden durch Einwirkung aggressiver Medien, Fremdkörper im Geräteinneren und an den Lüftungsschlitzen sowie für Schäden, die durch unsachgemäße Lagerung entstanden sind (Korrosion von Metallteilen);
- Ausfälle, die durch Überlastung oder Missbrauch des Produkts oder Verwendung des Produkts für andere Zwecke verursacht wurden. Ein sicheres Zeichen für Überlastungsprodukte sind Schmelzen oder Verfärben von Teilen aufgrund hoher Temperaturen, gleichzeitiger Ausfall von zwei oder mehr Komponenten, Risse auf den Oberflächen von Zylinder und Kolben oder Zerstörung von Kolbenringen. Außerdem deckt die Garantie keinen Ausfall des automatischen Spannungsreglers aufgrund fehlerhafter Bedienung ab;
- Ausfall durch Verstopfung des Kraftstoff- und Kühlsystems;
- Verschleißteile (Kohlebürsten, Riemen, Gummidichtungen, Öl). Dichtungen, Stoßdämpfer, Federn, Kupplungen, Zündkerzen, Schalldämpfer, Düsen, Riemenscheiben, Führungsrollen, Kabel, Reversierstarter, Spannfutter, Spannzangen, herausnehmbare Batterien, Filter und Sicherheitselemente, Fett, herausnehmbare Geräte, Ausrüstung, Messer, Bohrer usw.);
- Elektrokabel mit mechanischer und thermischer Beschädigung;
- Das Produkt wurde von einem nicht autorisierten Servicecenter geöffnet oder repariert.
- Vorbeugung, Pflegemittel (Reinigung, Waschen, Schmierung usw.), Installation und Konfiguration des Produkts;
- Natürliche Verschleißprodukte (Produktionsanteil);
- Fehler, die durch die Verwendung des Produkts für geschäftliche Zwecke verursacht wurden;
- wenn die Garantiekarte leer ist oder das Siegel (Stempel) des Verkäufers fehlt;
- Das Fehlen der Unterschrift des Inhabers auf der Garantiekarte

SFSD350

SFSD350

SFSD350

--	--	--

INDEX

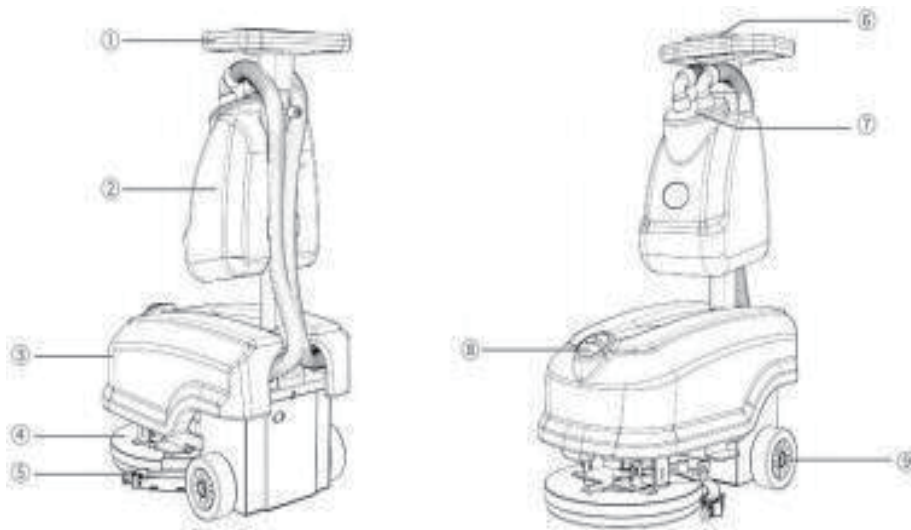
1. CHAPTER 1 ALGEMENE BESCHRIJVING.....	1
2. CHAPTER 2 VEILIGHEIDSRICHTLIJNEN.....	2
3. CHAPTER 3 ROUTINE-ONDERHOUD EN DEMONTEREN EN VERVANGEN VAN SLIJTAGEDELEN.....	4
4. TECHNISCHE GEGEVENS.....	6
5. ONDERDELENLIJST MET EXPLODED VIEW.....	7
6. VERKLARING VAN OVEREENSTEMMING.....	11
7. GARANTIE.....	12

1. CHAPTER 1 ALGEMENE BESCHRIJVING

1.1 Geschikte scènes

Dit product kan worden gebruikt in verschillende situaties zoals restaurants, scholen, ziekenhuizen, fabrieken, supermarkten en kantoorgebouwen en heeft goede reinigingseffecten op vloeren van epoxy, PVC, terrazzo, keramische tegels, hout en rubber. De gebruiker kan kiezen tussen verschillende soorten borstelplaten om bij verschillende soorten vloeren te passen, zodat de reinigingsefficiëntie wordt gemaximaliseerd.

1.2 Overzicht van het product



1 Leuning	3 Schoonwatertank	5 Rakel	7 Deksel van de riooltank	9 Antislipband
2 Riooltank	4 Borstelplaat	6 Bedieningspaneel	8 Waterinlaat	

2. CHAPTER 2 VEILIGHEIDSRICHTLIJNEN

Het is de verplichting van de gebruiker om deze handleiding zorgvuldig te lezen voordat de machine wordt gebruikt. Gedetailleerde instructies voor de bediening en het onderhoud van de machine worden in deze handleiding gegeven en dienen strikt te worden opgevolgd om ongevallen te voorkomen. De oorspronkelijke fabrikant is NIET verantwoordelijk voor letsel en verlies veroorzaakt door onjuist gebruik door de gebruiker

2.1 Voorzichtigheid

De operator moet goed opgeleid zijn voordat hij de machine gebruikt, anders kunnen er ongelukken gebeuren en letsel of verlies veroorzaken..

- > Om brandongelukken te voorkomen, mag de machine alleen worden gebruikt voor het reinigen van niet-explosieve grond.
- > Gebruik de machine NIET als deze niet goed is gemonteerd, anders kunnen er ongelukken gebeuren en letsel of verlies veroorzaken. Controleer voordat u de machine bedient of deze compleet en goed gemonteerd is.
- > Elke vorm van onderhoud en reparatie moet worden uitgevoerd door professioneel personeel.
- > Zorg ervoor dat de stroom is uitgeschakeld voordat u de machine onderhoudt of repareert.

2.2 Bedieningsinstructies

- > Controleer herhaaldelijk de polariteiten van de batterijen voordat u ze aansluit, omdat een verkeerde aansluiting schade kan veroorzaken aan alle elektrische componenten van de machine en dit moet worden voorkomen.
- > Gebruik de bij de batterijen geleverde opladers, anders kan schade en zelfs een explosie optreden.
- > Onderhoud en reparatie van de machine moeten worden uitgevoerd door een professionele technicus, anders bestaat het risico op ongelukken en economisch verlies.
- > Plaats de elektrische componenten van de machine NIET bloot aan water of vochtige omgevingen, anders kunnen ze kortsluiting maken en niet werken.
- > Zorg ervoor dat de oplaadruimte goed geventileerd is. Gebruik bij het opladen van de batterijen een E-kern stroomkabel en een voeding met aardingsdraad. Gebruik een aardlekschakelaar (RCCB) om de kans op elektrische schokken te minimaliseren.
- > Het is ten strengste verboden om voorwerpen op de batterijen te plaatsen.
- > Bij het wassen van de machine mag er GEEN water in de zuigmotor komen.
- > Besteed speciale aandacht aan de waarschuwingssignalen op het oppervlak van de machine.
- > Gebruik de machine NIET op hellingen en ruw terrein. GA NIET op de machine zitten. Houd elk deel van uw lichaam weg van de bewegende delen van de machine.
- > Wees voorzichtig wanneer de machine langs randen rijdt. Let op de ruimte tussen de anti-botsingswielen en de muur. Verplaats de machine NIET over kleine obstakels.

2.3 Veiligheidsinstructies

- > Omdat de machine zwaar is en kwetsbare onderdelen bevat, moet er speciale aandacht worden besteed als deze moet worden getransporteerd. Bij het transport van de machine moeten eerst de batterijen worden verwijderd en de machine moet worden opgetild aan de metalen beugel aan de onderkant. Leg de nadruk NIET op het lichaam van de machine.
- > Berg de machine (evenals de batterijen) NIET op en bedien deze niet in ruimtes waar brandbare of explosieve gassen en vloeistoffen aanwezig zijn

2.4 Veiligheidseisen voor de batterijen

- > De batterijen mogen NIET in een lage spanningstoestand verkeren; laad de batterijen zo snel mogelijk op als de spanning onder de 42 V ligt;
- > Om elektrische lekkage te voorkomen, moeten de batterijen droog en schoon worden gehouden;
- > Leg GEEN metalen voorwerpen (zoals gereedschap) op de batterijen om kortsluiting en brand te voorkomen;
- > De oplaadruimte moet goed geventileerd zijn;
- > Wanneer de contactschakelaar in de stand "AAN" staat, moeten de batterijen NIET worden geïnstalleerd of verwijderd.
- > Voordat de batterijen worden geïnstalleerd of verwijderd, moet eerst de negatieve draad (-) en vervolgens de positieve draad (+) worden losgekoppeld. Bij het opnieuw bedraden moet speciale aandacht worden besteed aan de polariteit van de batterijen, aangezien een verkeerde aansluiting mogelijk elektrische componenten zou kunnen beschadigen.

3. CHAPTER 3 ROUTINE-ONDERHOUD EN DEMONTEREN EN VERVANGEN VAN SLIJTAGEDELEN

3.1 Voorbereiding

- > Kies het geschikte reinigingsmiddel en de meest geschikte concentratie. Normaal gesproken zijn twee glazen reinigingsmiddel voldoende (verminder de hoeveelheid gebruikte reinigingsmiddel om het milieu te beschermen). Gebruik ook een antischuimmiddel om schuim in de riooltank te elimineren en de levensduur van de zuigmotor te verlengen.
- > Voeg eerst het reinigingsmiddel toe via de vooringang voor water, en voeg vervolgens schoon water toe.
- > Als u kraanwater moet gebruiken, kunt u de kraanwaterleiding in de zijkant van de machine invoeren. Let op het waterniveau om overlopen te voorkomen.

3.2 Het werk starten

- > Voordat u begint met het werk, raden we aan om het terrein handmatig te vegen om grote vuiligheden te verwijderen en ervoor te zorgen dat er geen blokken aarde, stof, stukjes steen en papierresten zijn. Dit zal uw werkefficiëntie verbeteren en de machine beschermen.
- > Schakel de machine in en vervolgens wordt de huidige spanning van de batterijen weergegeven. Als er onvoldoende vermogen is, laad dan de batterijen onmiddellijk op voordat u de machine gebruikt.

3.3 Tijdens het werk

- > Zet de vooruit/achteruit-knop in de vooruit-stand en zet de borstelplaatmotor en de zuigmotor aan. Gebruik de handgreep voor het aanpassen van de waterhoeveelheid om de hoeveelheid water en reinigingsmiddel te regelen.
- > Zet de borstelplaatmotor aan, open het elektromagnetische ventiel om het werk te starten.
- > Als er na het werk zich opgehoopt water op de vloer bevindt, kunt u de borstelplaat omhoog brengen, de zuigmotor inschakelen en de machine herhaaldelijk vooruit en achteruit bewegen in het werkgebied totdat het water is verwijderd. Als er diepe groeven in de vloer zijn, kan het opgehoopte water niet door de machine worden verwijderd en moet het op andere manieren worden aangepakt.

Opmerking:

Wanneer de zuigmotor tijdens het werk abnormaal functioneert of de zuigmond niet normaal werkt, stop de machine onmiddellijk en voer de volgende controles uit.

- > Controleer of de riooltank vol is. In dat geval de riooltank onmiddellijk legen. Als de riooltank niet vol is, controleer dan of het verbindingstuk van de zuigmond geblokkeerd is, en verwijder de blokkade onmiddellijk als dit het geval is.
- > Als er veel schuim in de riooltank zit, voeg dan een bepaalde hoeveelheid antischuimmiddel toe aan de riooltank.

3.4 Vervanging van de borstelplaat

- > Plaats de te installeren borstelplaat onder de borstelplaatkap en zorg ervoor dat de kop ervan is uitgelijnd met de bajonet. Druk op de knop van de borstelplaatmotor en de plaat wordt automatisch geïnstalleerd met de rotatie van de motor. De borstelplaat kan ook handmatig worden geïnstalleerd.
- > Voor onervaren personeel wordt aanbevolen om de borstelplaat handmatig te installeren.

3.5 Verwijderen van de batterijen

- > Zet alle knoppen uit.
- > Open de bajonet van de batterijen, verwijder de batterijkabels en haal de batterijen eruit.

3.6 Vervanging en onderhoud van de zuigmond

De zuigmond is een belangrijk onderdeel van de machine en zal geleidelijk slijten door de wrijving met de grond. Wanneer de efficiëntie van waterafzuiging wordt verminderd, voert u de volgende controles uit.

- > Controleer of er vreemde voorwerpen in de plastic schraper zitten;
- > Controleer of de verbinding tussen de zuigmond en de slang is geblokkeerd;
- > Controleer of de hoek tussen de schraper en de grond geschikt is (de hoek kan worden aangepast via de zwenkwielen van de zuigmond).
- > Controleer of de zuigmond ernstig versleten is.
- > Beide zijden van de zuigmond kunnen worden gebruikt voor waterafzuiging; als beide zijden ernstig versleten zijn, moet de zuigmond worden vervangen.
- > Als de machine wordt gebruikt in een sterk olieachtige omgeving, koop dan de specifieke oliebestendige zuigmond.

3.7 Na het schoonmaken

- > Laat de riooltank leeglopen en veeg het oppervlak van de machine schoon met een droge doek.
- > Til de borstelplaat en de zuigmond op.
- > Berg de machine op in een droge binnenruimte zonder open vuur, chemische stoffen en brandbare gassen of vloeistoffen.

4. TECHNISCHE GEGEVENS

Cleaning width: 350 mm

Batterijcapaciteit: 24 V/32 Ah

Zuigmond breedte: 450 mm

Werkefficiëntie: 1350 m²/u

Schoonwatertank: 10 liter

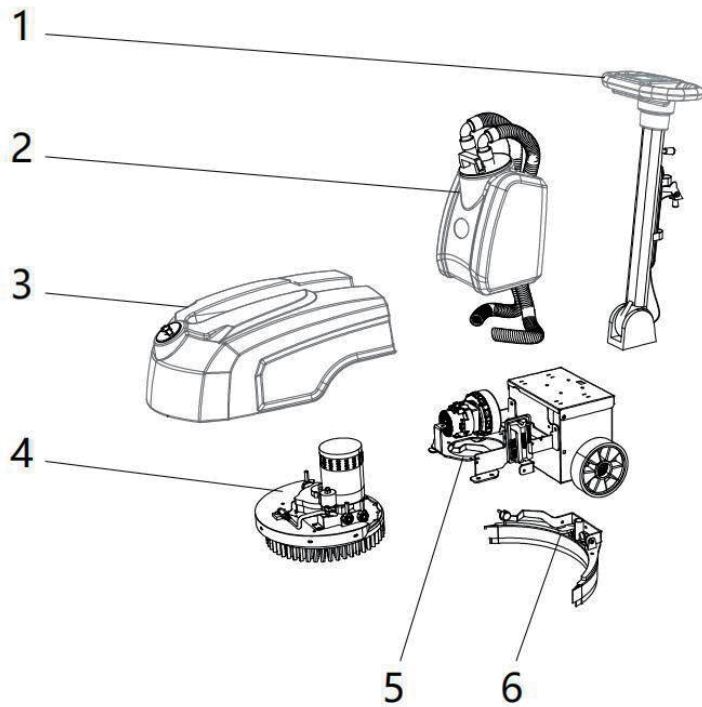
Riooltank: 15 liter

Borstelplaatmotor: 300 W

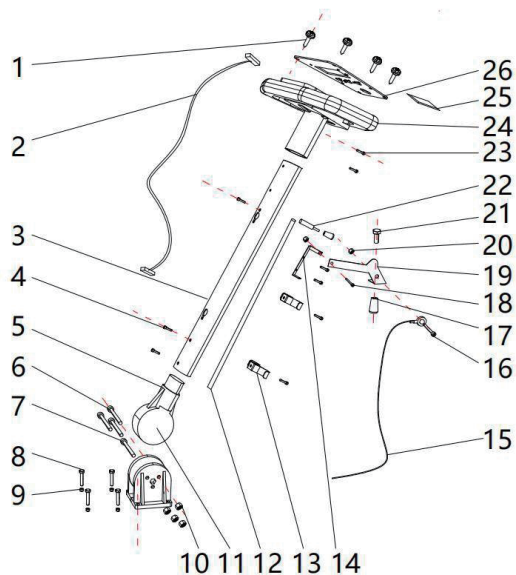
Zuigmotor: 400 W

Productafmetingen: 700*450*1050 mm

5. ONDERDELENLIJST MET EXPLODED VIEW



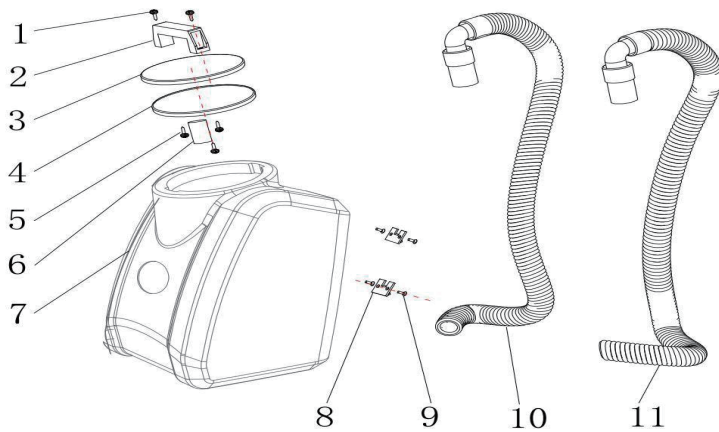
No.	Name
1	Onderdelen voor de richting
2	Onderdelen voor de opvangtank
3	Onderdelen voor de oplossingstank
4	Onderdelen voor de borstelplaat
5	Onderdelen voor het chassis
6	Onderdelen voor de zuigmond



1. Onderdelen voor de richting

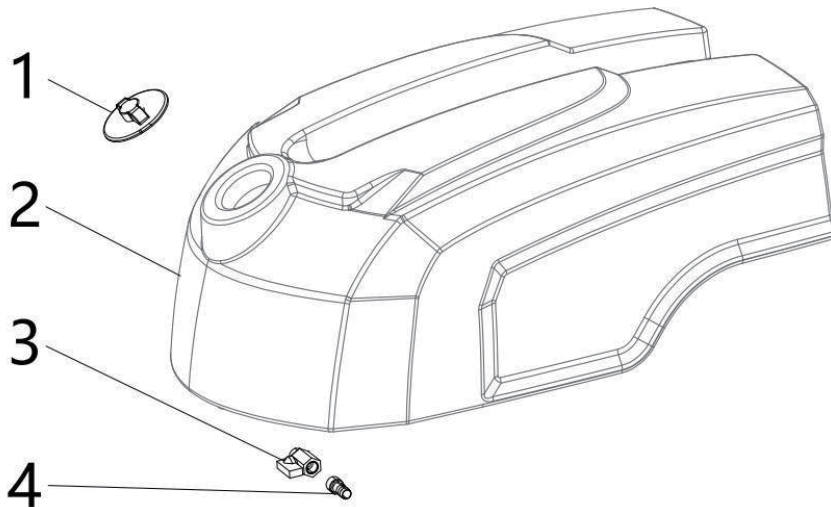
No.	Code	Naam	Specificatie	Hoeveelheid
1	B1030-39095	Kruiskopschroef met platte kop voor zelftappende schroeven	3.9*9.5	4
2	X01A1-06001	Hoofdbekabeling	3ends*1400mm	1
3	X01A0-05001	Aluminium staaf	Oval 570mm*T=2.5mm	1
4	B1130-04016	Zeskantschroeven met verzonken kop	M4*16	6
5	X01A0-05011	Aluminium afdekking	Innerdiameter φ66*210mm	1
6	B0530-06070	Inbusschroef	M6*70	3
7		Inbusschroef	M8*50	1
8		Buitenzeskant	M8*20	4
9	B4223-00008	Borgmoer M8	M8	5
10		Borgmoer	M6	3
11	X01A0-09031	Ronde tandwiel	φ66*T=23mm	1
12	X01A0-09231	Volledig ingedraaide schroef	M5*580mm	1

13	X01A0-09101	Bilaterale riemgesp	$\phi 33 * T = 2.2 \text{mm}$	2
14		Beugel voor zuigmondhandvat 2		1
15	X01A0-09201	Ophangkoord voor zuigmond	$\phi 6.2 \text{ to } \phi 5$ Through hole*1040mm	1
16		Zeskantschroef met inwendige zeskant	M5*16	1
17	X12A0-09011	Oranje handvat	Orange $\phi 8$ Innerdiameter*26mm	2
18		Pan-kopschroef met zeskant	M5*10	1
19	X01A0-02081	Beugel voor zuigmondhandvat 1		1
20	B4223-00005	Borgmoer	M5	2
21	B0330-08016	Buitenzeskantschroef	M8*16	1
22	X01A0-02131	Handvat as		1
23		Schroef met verzonken kop	M6*16	2
24	X04A0-23021	Stuurwiel	M30 Chancee grey	1
25	X47A1-05011	Kaartschakelaar	Blue	1
26	X04A1-06001	Bedieningspaneel	M30 Chancee color	1



2. Opvangtank

No.	Code	Naam	Specificatie	Hoeveelheid
1	B1030-39016	Kruiskopschroef met platte kop voor zelftappende schroeven	3.9*16	2
2	X04A0-09011	Handvat voor de opvangtankdeksel	OrangeHolespacing 82mm	1
3	X04A0-09001	Opvangtankdeksel	M30 Orange Double-hole ϕ 127	1
4	X01A0-09061	Afdichtingstrip voor de opvangtankdeksel	Blackrubber Innerdiameter ϕ 133	1
5	B1030-39095	Kruiskopschroef met platte kop voor zelftappende schroeven	3.9*9.5	3
6	X01A0-09051	Drijverskooi met twee ballen	ϕ 42*100mm	1
7	X04A0-23011	Opvangtank	M30 Darkgrey	1
8	X01A0-02101	Tanksluiting		2
9	B0930-05012	Kruispankop schroeven	M5*12	4
10	X01A0-09091	Zuigbuis	Bentinnerdiameter ϕ 24*1250mm (X1 series)	1
11	X01A0-09071	Rioolzuigbuis	Bentinnerdiameter ϕ 24*1450mm (X1 series)	1



3. Onderdelen van de oplossingstank

No.	Code	Name	Spezifikation	Menge
1	X12A0-09001	Deksel van de oplossingstank	Yellow ϕ 70 Fully threaded (X1,X7 series)	1
2	X04A0-23001	Oplossingstank	M30 Grey	1
3	X01A0-09151	Uitlaatklep voor water	G $\frac{1}{4}$ Inner wire to G $\frac{1}{4}$ Outer	1
4	X01A0-09121	Rechte koperen verbinding	Wire (304x1) G $\frac{1}{4}$ to ϕ 10.5 Pagoda-Shaped joint	1

EC Declaration of Conformity

Model Name: SFSD350
Scrubber

Brand: Stahlfest

We Gema Tools B.V.,

Declare under our sole responsibility that this product is in conformity and accordance with the following standards and regulations.

The undersigned is responsible for the compilation of the technical documentation. Satisfies

the requirement of the Council Directives:

2014/35/EU Low Voltage Directive

2014/30/EU Electromagnetic Compatibility Directive

And conforms to the norms:

EN 60335-1:2012+A15:2021; EN 60335-2-67:2012; EN 62233:2008

EN IEC 55014-1:2021; EN IEC 55014-2:2021

EN IEC 61000-3-2:2019+A1:2021;

Date:

30-01-2023

Signature and Stamp on undersigned responsible.

Legal Representative: Piet Gerrits



GARANTIEKAART

<input type="text"/>	<input type="text"/>
Productmodel	Verkoopdatum
<input type="text"/>	<input type="text"/>
Serienummer	Bedrijf
<input type="text"/>	<input type="text"/>
Gebruikersnaam	Handtekening van de klant

Het product verkeert in goede staat en is volledig compleet. Lees en ga akkoord met de garantievoorwaarden.

GARANTIE

De e garantieperiode begint vanaf de verkoopdatum van de producten en geldt voor 1 jaar voor alle krachtproducten. Gedurende de garantieperiode worden gratis storings veroorzaakt door het gebruik van materialen van slechte kwaliteit in de productie en erkende fabricagefouten verwijderd. De garantie treedt alleen in werking wanneer de garantiekaart en knipbonnen correct zijn ingevuld. Het product wordt in zijn zuivere vorm en volledigheid geaccepteerd voor reparatie. Voor het verlenen van de garantie moet de aankoopfactuur van de officieel erkende dealer worden getoond.

GARANTIE DEKT NIET

- Mechanische schade (scheuren, chips, enz.) en schade veroorzaakt door blootstelling aan agressieve stoffen, vreemde voorwerpen in het apparaat en luchtroosters, evenals schade als gevolg van onjuiste opslag (corrosie van metalen onderdelen)
- Defecten veroorzaakt door overbelasting of onjuist gebruik van het product, het gebruik van het product voor andere doeleinden. Een duidelijk teken van overbelaste producten is het smelten of verkleuren van onderdelen als gevolg van hoge temperaturen, gelijktijdig falen van twee of meer componenten, beschadigingen aan de oppervlakken van de cilinder en de zuiger of vernietiging van zuigerveren. Bovendien dekt de garantie geen defecten aan de automatische spanningsregelaar als gevolg van onjuiste werking;
- Defecten veroorzaakt door verstopping van de brandstof- en koelsystemen;
- Slijtageonderdelen (koolborstels, riemen, rubberen afdichtingen, oliekeerringen, schokdempers, veren, koppelingen, bougies, dempers, spuitmonden, katrollen, geleiderollen, kabels, trekstarter, boorkoppen, spantangen, verwijderbare batterijen, filters en veiligheidselementen, vet, verwijderbare apparaten, uitrusting, messen, boren, enz.);
- Elektrische kabels met mechanische en thermische schade;
- Product geopend of gerepareerd door een niet-geautoriseerd servicecentrum.
- Preventie, verzorgingsproducten (reiniging, wassen, smering, enz.), installatie en configuratie van het product;
- Natuurlijke slijtage van producten (productieaandeel);
- Defecten veroorzaakt door het gebruik van het product voor de behoeften gerelateerd aan zakelijke activiteiten;
- Als de garantiekaart leeg is of het zegel (stempel) van de Verkoper ontbreekt;
- Afwezigheid van de handtekening van de houder op de garantiekaar

SFSD350

SFSD350

SFSD350

STAHLFEST