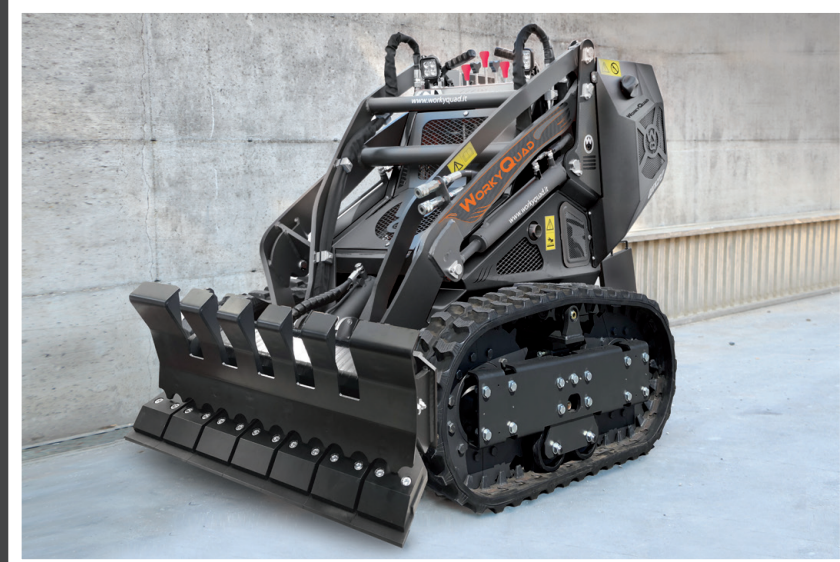


>>>>  
 WX SERIES

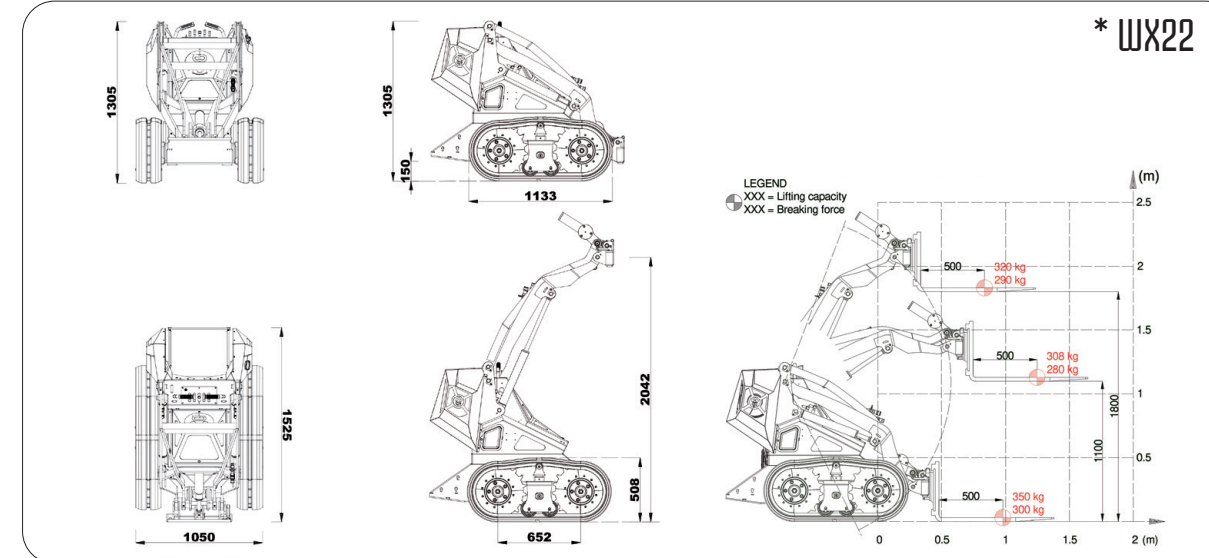
WORKYQUAD



## WX SERIES



### DIMENSIONS AND LOADING DIAGRAM\*



### TRACKS



Rubber tracks with all-trac tread pattern.  
 Track module driven by a direct drive system by means of two steel toothed wheels.  
 Less pressure on the ground and greater grip, reduced resistance to advancement (rolling friction).  
 Better buoyancy with consequent reduction of the risk of sinking on soft ground.

### WX SERIES

	LIFTING CAPACITY	ENGINE POWER	HYDRAULIC SYSTEM	BOOM HEIGHT
WX 22	350 Kg (with counterweights)	22,1 Hp	35 l/min	2042 mm
WX 15	340 Kg (with counterweights)	14,8 Hp	25,6 l/min	2042 mm
WX ECO	450 Kg (with counterweights)	5,7 Kw	18,5 l/min	2042 mm

**WORKYQUAD**  
 MINILOADERS

CAST GROUP SRL  
 Via A. Meucci, 18 I-30035 MIRANO VE  
 ph. +39041 5701827 fx +39041 5726786  
 info@cast-group.it

LEAF\_WX\_ENG\_09/2022\_A000000047

Data contained in this document is subject to change without notice and/or modification.  
 Cast Group reserves the right to modify its products without obligation to communications. The images in this document are only a demonstrative purpose.

WORKYQUAD >>>>

WX SERIES



WX22  
 WX15  
 WX ECO



www.workyquad.it





>>>>  
WX SERIES

WORKYQUAD



The WorkyQuad series is enriched today with a new tracked version.

WX SERIES is available in the WX22, WX15 Models and WX ECO, the Zero Emission skid loader.

Practicability, robustness and mobility make WX SERIES great and versatile product machines, able to juggle on every type and condition of terrain.

WX SERIES was developed for the demanding professional who has to move in small spaces and at the same time possess a reliable machine, small in size but with great performances.



## IMPROVED GRIP TRACK SYSTEM.

Honda engine GX690, displacement 688 cc.

Number of cylinders: 2

Start-up: electric

RPM: 3600

Cooling: air cooling

Fuel: petrol Euro 95

Fuel tank capacity: 15 liters

Drive system: hydrostatic 4WD

Oil tank capacity: 44 liters

Steering: skid

Weight: 830 Kg

WX22

## TRACKS

Rubber track with improved grip and all-trac tread pattern.



## BOOM

High strength steel boom. Double cylinder lifting system.

## FUEL TANK

Integrated tank with 25 liters capacity.



WX15

Also available in radio controlled version.

Kubota engine Z602, displacement 599 cc.

Number of cylinders: 2

Start-up: electric

RPM: 3200

Cooling: liquid cooling

Fuel: diesel

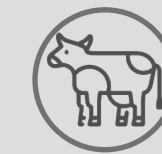
Fuel tank capacity: 25 liters

Drive system: hydrostatic 4WD

Oil tank capacity: 25 liters

Steering: skid

Weight: 884 Kg



Agriculture  
Breeding  
Green maintenance  
Building  
Road maintenance



WX ECO

Engine: permanent magnets

RPM: 2500

Type of battery: traction battery

Battery capacity / voltage: 240 Ah / 36V

Drive system: hydrostatic 4WD

Oil tank capacity: 17 liters

Steering: skid

Weight: 1050 Kg

ZERO EMISSION

## THE ENVIRONMENT THANKS.

The electric version of the WX series respects the environment. Zero emissions, for cleaner air and ecological batteries with improved safety, free from liquid leaks. Charging times are approximately 7 hours, while the charge autonomy at average working regime is around 7/8 hours.