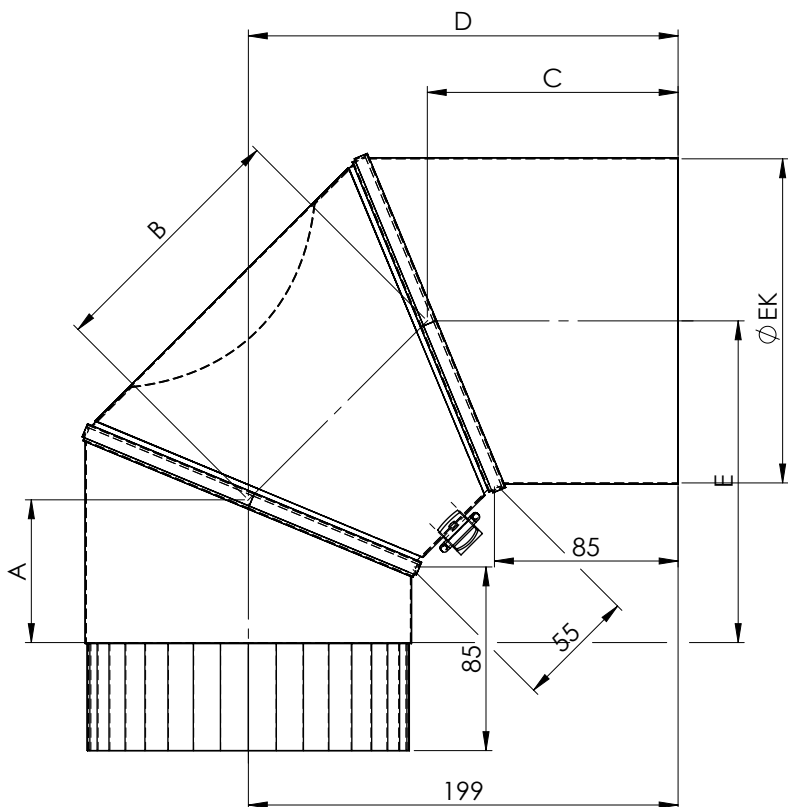


Segmentbocht 90° 3-delig met inspectieop. EK



EK	MATEN					ARTIKELCODE
	A	B	C	D	E	
100	56	96	106	174	124	EK100034
110	58	101	108	179	129	EK110034
120	60	105	110	184	134	EK120034
125	61	107	111	186	136	EK125034
130	62	109	112	189	139	EK130034
150	66	117	116	199	149	EK150034
180	72	130	122	214	164	EK180034
200	76	138	126	224	174	EK200034
250	87	159	137	249	199	EK250034
300	97	179	147	274	224	EK300034
350	107	200	157	299	249	EK350034
400	118	221	168	324	274	EK400034

16.12.2021
REV: 0