

2024

2004



HAMMER

20Th

20 YEARS OF PASSION

WITH OUR **PASSION** ALWAYS AT YOUR **SERVICE**

CATALOG
2024



About Hammer

Our History

*Demolition
Excavation
Material handling
Recycling*

Skills and passion that give rise to history!

In 1970, Mr. Giovanni Modugno began his career as a worker in a small mechanic turnery workshop in Molfetta and, since that year, so much has been done.

After being a factory worker first, production and factory manager then, in 1989 he started, with other partners, a hydraulic breakers company, until 2004. In the same year, he decides to found, together with his son Valerio, a family company for design, production and sale of hydraulic breakers, which takes the name "Hammer".

The values of a family company have allowed Hammer to establish itself on the global market through 10 branches spread across the continents and a capillary network of dealers and authorized workshops throughout the world.



100% Made in Italy

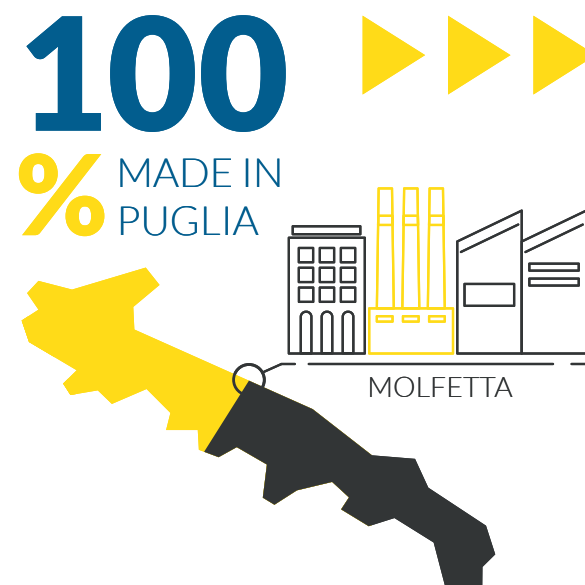
Hammer guarantees a 100% Made in Italy product of the highest quality, entirely designed and manufactured in the 10 plants (an area of 60000 m²) located in the Industrial Area of Molfetta (BA). Hammer begins with the design, production and sale of small and medium-sized hydraulic breakers, in addition to the sale of multi-brand spare parts.

Then comes the introduction of the first samples of demolition shears, which paved the way in the field of demolition and recycling; later, Hammer decides to expand the range of hydraulic breakers, up to the FX 15000 model which, with a weight of 14500 kg, becomes the largest hydraulic breaker in the world.

After the huge success achieved in this segment, Hammer introduces the SB series that benefits from the particular monoblock construction. This feature gives the structure a very high resistance to leverage efforts. The breakers, as "monobloc" suggests, has only one piece and there are no side bolts and diaphragms.

It is the turn, then, of the grapple line, with the GR series with 3 different types of jaws, depending on the needs.

The demolition segment is then widened with the FP series (static hydraulic crusher for secondary demolition), the FR series (rotary hydraulic crusher for primary and secondary demolition) and finally the brand new FRK and FPK series.

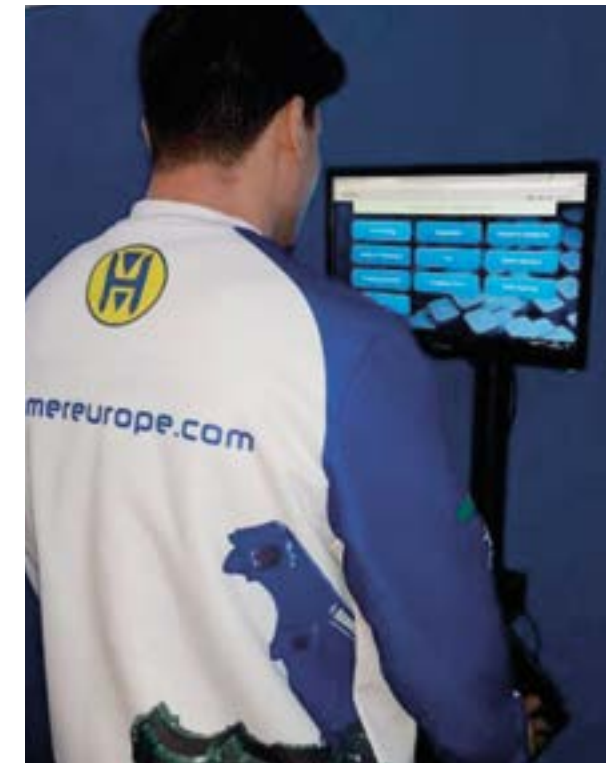


Research and development

Our work is based on research and continuous innovation. In our 10 factories in Molfetta there are:

- an equipped workshop with 70 high-productivity CNC machines;
- the grinding and testing department, where we make sure that the various components of our products are flawless;
- the carpentry department, equipped with 10 latest generation plasma cuttings, 5 robot welding stations and 2 robot stations for assembly;
- the assembly department, in which our qualified and constantly trained staff assembles the whole Hammer line;
- a large spare parts warehouse that, thanks to the 12 vertical automated modules, allows us to speed up and optimize the assembly of our range and to increase the storage area of 8000 m².

We always look for new solutions and innovations on existing products to offer our customers always the best in the market.



Product overview

Hammer offers the right equipment for every need



SB

HYDRAULIC
BREAKERS

Pages 16-17



FX

HYDRAULIC
BREAKERS

Pages 18-21



X

EARTH
DRILLS

Pages 22-25



FRK

DEMOLITION
ROTATING
PULVERIZERS

Pages 26-27



FPK

STATIC
PULVERIZERS

Pages 28-29



MCK

CONCRETE
CRUSHERS

Pages 30-37



FR

ROTATING
PULVERIZERS

Pages 38-39



KSC

SCRAP
SHEARS

Pages 40-41



RC

MOBILE RAIL
CUTTER

Pages 42-43



CS

VEHICLE
DISMANTLER

Pages 44-45

Strength and efficiency

The hydraulic breaker is mainly used in earth-moving and mining industries, where components are subjected to high levels of stress, working mostly in difficult situations.

To make hydraulic breakers increasingly reliable and to guarantee both performance and power, Hammer has introduced the SB and FX lines, obtained thanks to in-depth R&D carried out throughout the years.

For the production of this equipment, top-quality alloy steels are used and the best heat treatment techniques developed.

The research and studies carried out have allowed us to obtain important results in terms of the technological and mechanical characteristics of the steels.

At the same time, studies were carried out in collaboration with the main producers of hydraulic seals (Trelleborg, Freudenberg, Nok).

Over the years we have therefore improved both quality and type of the materials used to reach the appropriate ratio between different speeds, pressures and temperatures, thus increasing durability.



We're always ready for challenges

Breakers of both SB and FX series are "nitrogen" breakers. Hammer, thanks to its experience, followed this path in order to obtain high power distributed over a higher number of blows per minute, thus resisting high counterpressures (up to 30 bar).

The breaker is also very compactly structured hence reducing stress on the excavator's arm and ensure greater durability of both the breaker and its components.

- The SB and FX hydraulic breakers can work on any type of excavator and on any single-acting hydraulic system; they are also suitable for hydraulic systems with high back pressure

- Hammer Breakers are equipped with special polyurethane shock absorbers that absorb vibrations, thus protecting the arm of the excavator and also reducing noise emissions, according to the requirements of directive 2000/14 / EC

While the SB series is suitable for carriers, mini excavators, miniblades, backhoe loaders, demolition robots. etc., the FX series is suitable for crawler and wheeled excavators of medium and large size.

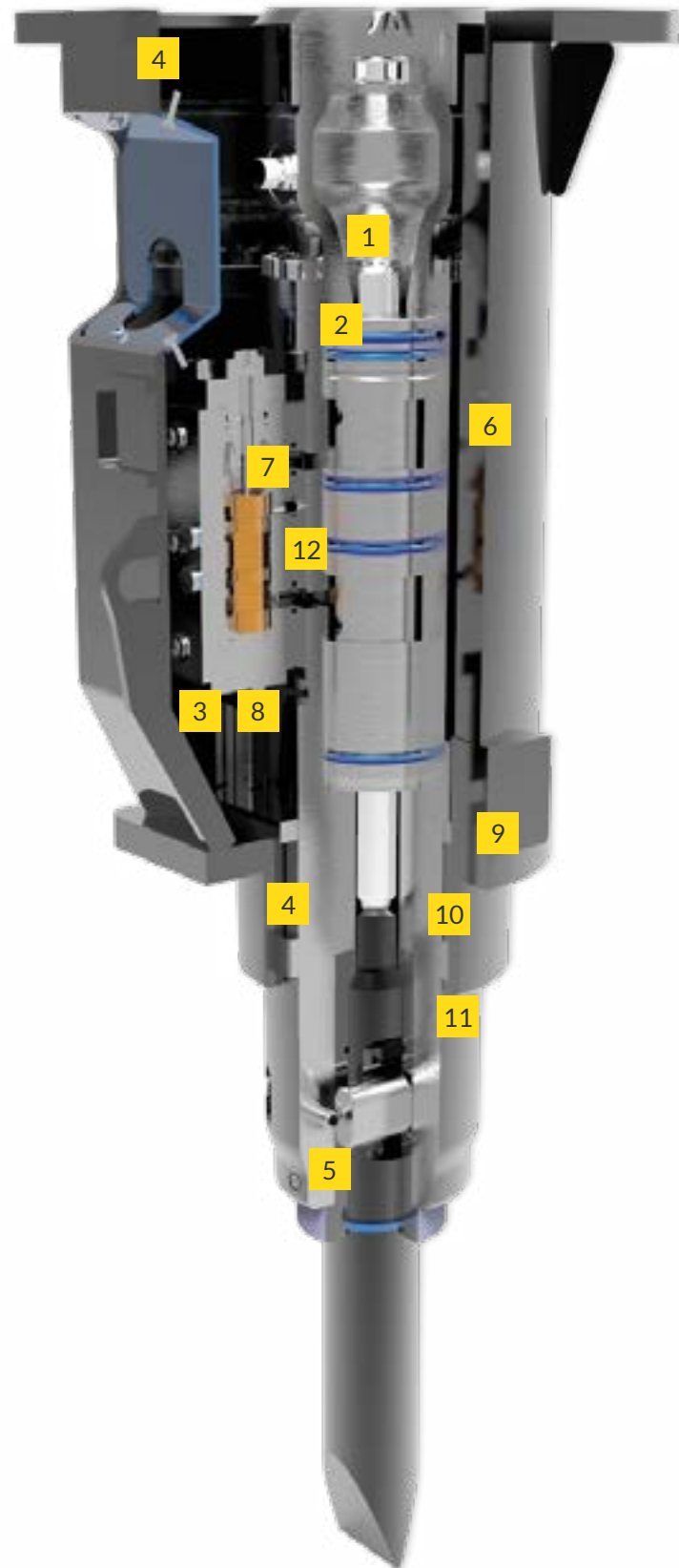
Application overview

			SB	FX 700-1900	FX 2200-12000
<p>Mining & Quarrying</p>	Preliminary works	Overburden removal	★	★	★
		Bench, road & ramp leveling	★	★	★
		Roof, face & rib scaling	★	★	★
	Secondary breaking	Boulder reduction in rock pile	★	★	★
		Removing blockages at crushing systems	★	★	★
	Primary rock breaking	Selective rock breaking	☆	★	★
		Blast-free mining	☆	★	★
<p>Demolition & Renovation</p>	Masonry structures	Brickwork	★	★	☆
		Natural stone	★	★	☆
		Autoclaved aerated concrete	★	★	★
	Concrete structures	Lightweight concrete	★	★	★
		Standard concrete	★	★	★
		Heavyweight concrete	☆	★	★
	Composite steel & concrete structures	Steel-reinforced concrete	★	★	★
		Prestressed concrete	★	★	★
		Fiber-reinforced concrete	★	★	★
	Pavements	Asphalt	★	★	★
		Concrete	★	★	★
		Composite surfaces	★	★	★
<p>Construction</p>	Earthworks	Trenching	★	★	★
		Pit building	★	★	★
		Ground excavation	★	★	★
	Tunneling	Tunnel driving	★	★	★
		Roof, face & rib scaling	★	★	★
		Floor leveling	★	★	★
	Dredging	Canal deepening & extension	★	★	★
	Dock deepening & extension	★	★	★	
	Gardening & Landscaping	Fencing	★	★	★
		Ground excavation	★	★	☆
		Rock breaking	★	★	★
	Foundation works	Ground leveling	☆	★	★
	Building construction	Foundation pile driving	☆	★	★
<p>Metallurgical Industry</p>	Slag recycling	Boulder reduction in slag heap	★	★	★
		Removing blockages at crushing systems	★	★	★
	Cleaning & debricking	Ladles	★	★	★
		Converter mouths	★	★	★
		Kilns	★	★	★

Optimal
 Suitable
 Unsuitable

BREAK IN A SMART WAY

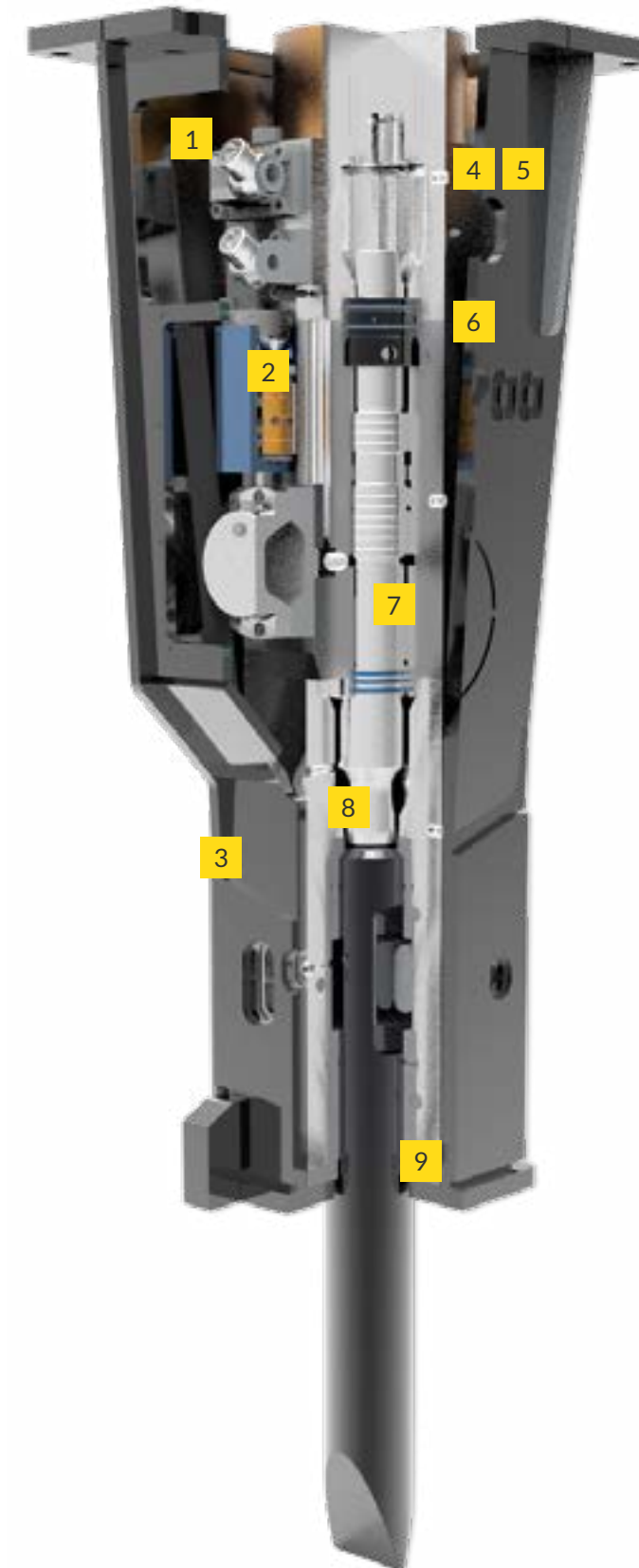
Monobloc hydraulic breaker without tie rods and diaphragm



- 1 More power, less vibration and maintenance. The SB breakers work with inertial nitrogen energy recovery, thus obtaining more power (more than 30%) and less vibration thanks to the nitrogen chamber that reduces maintenance costs, since it has no diaphragm.
- 2 Long lasting nitrogen charge. In the past, energy recovery breakers required frequent nitrogen refills; with the new sealing system and the new compound developed by Freudenberg they are able to guarantee a gas tightness equal to 300% more than in the past.
- 3 Protected tubes. The tubes are completely protected through the casing and they're suitable for every type of excavation, especially in narrow spaces.
- 4 The particular design, with a closed box casing as well as the addition of sound-absorbing material, allowed the breaker to have very low noise levels
- 5 Double retainer pin. The tool-locking system with a double retainer pin allows adequate and uniform wear of the same and ensures longer maintenance intervals for the whole locking system.
- 6 Monobloc body without tie rods. The entire SB series benefits from the particular monoblock construction; this feature gives the structure a very high resistance to leverage, during work. The breaker is built in one only piece and it is without tie rods, thus obtaining greater production and less maintenance as a result.
- 7 Only two moving parts.
- 8 For all types of installations (pressurization). The SB series tolerates high back pressure, and it has a wide calibration range of the required oil flow, in order to make the installation easier.
- 9 The piston moves in a single interchangeable cylinder liner that keeps the main body intact and that is easy to replace in case of necessity.
- 10 The piston is built with a special geometry as to keep a constant energy of impact, and to reduce damage in any critical condition.
- 11 Visibility and versatility. The models of the SB series, with their tapered shape, provide the operator with an excellent view during the work and allow to operate close to the walls, both in narrow and wide spaces.
- 12 Hydraulic system for blank firings. The hydraulic system creates a regenerative oil circuit that preserves the breaker from blank firings when the tool is not in contact with the rock.

EFFICIENCY BECOMES POWER

Hammer Hydraulic Breakers



- 1 Tubes with swivels. Tubes with swivels are fully protected from any misuse and, resistant to vibrations.
- 2 Operating pressure regulation. For the FX series (FX950-12000), it is possible to adjust the working pressure with a manual valve located frontally on the distribution box.
- 3 Anti-dust and underwater work setup. You can prevent the entry of dust and water into the breaker by blowing air into the proper hole in the front part of the breaker, with a pressure of not less than 10 bar.
- 4 Automatic hydraulic greasing device (optional, mounted on the breaker). The Beka-Lube automatic lubrication system optimizes the lubrication procedure and reduces maintenance and downtimes
- 5 Automatic hydraulic greasing device with exclusive Hammer electric control (optional, mounted on the excavator). Innovative electric system with automatic grease distribution, less liable to vibration breakages thanks to its tank of grease with a capacity of 4 kg or 8 kg, making thus the system cheaper than all the other devices with single cartridges.
- 6 Manual blows adjustment. For the FX series (FX950-FX12000), the regulation of the blows is carried out manually by a valve located on the side of the breaker.
- 7 Hydraulic system for blank firings. The hydraulic system creates a regenerative oil circuit that preserves the breaker from blank firings when the tool is not in contact with the rock.
- 8 The piston is built with a special geometry as to keep a constant energy of impact, and to reduce damage in any critical condition.
- 9 Anti-dust system for tunnels (optional). The anti-dust system consists of a dustproof seal addition mounted in the lower bush to avoid the entry of impurities into the circuit. FX series breakers are suitable for secondary demolition work, excavations in quarry, work in urban areas, tunnels, pipelines, and railway tunnels and, concerning the biggest models, demolitions in open pit mining.



Hammer Lube

HAMMER LUBE is the result of intense cooperation between the Engineering Departments of Hammer and Meyerlub, both specialists in advanced technology. Hammer Grease is totally different from any other breaker's grease or oil.

- It is based on special synthetic components, with a strong affinity to metal surfaces due to their "polar" nature. This offers superior lubricating film strength, even in the most adverse operating conditions.
- Its physical characteristics perfectly match the Hammer lubricant supply systems (on-board Greasing Stations and Easy-Lub equipment)

HAMMER GREASE KEEPS ITS PROMISES!

- Total protection from friction, wear and scuffing, thanks to the exceptional film strength and metal affinity
- Complete and uniform distribution of lubricant on the whole surface, for a complete protection from wear and seizing
- Cost saving: highly efficient lubrication ensures complete protection, reducing drastically maintenance, spares and downtime costs. The exclusive and "state of the art" performance of Hammer Grease optimizes lubrication efficiency and significantly reduces lubricant's over-consumption and relevant costs.

CONSIDER THE DIFFERENCE

Hammer breakers, rolling bearings and machinery pins have very different engineering features; therefore lubrication requirements change accordingly. Hammer lube is a tailor-made product, thought intentionally for hydraulic breakers.

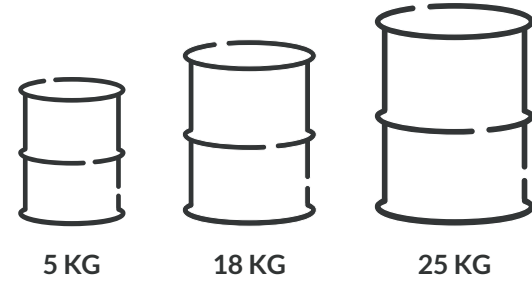
WHY IS CORRECT LUBRICATION SO IMPORTANT?

Hammer breakers operate at high frequencies under heavy loads, involving high thermal and mechanical stress. Inadequate lubricants generate excessive wear and deposits.

BREAKER LIFE SPAN, EFFICIENCY, AND RELIABILITY MAY BE SERIOUSLY AFFECTED.

Proper breaker lubrication is the combination of:

- Appropriate lubricating system design.
- Appropriate lubricant structure and composition.
- Perfect tuning between lubricant and application system.



Product Series

Discover all our series

HYDRAULIC BREAKERS WITHOUT TIE RODS

for excavators from 0.5 to 13 ton



Find out more

Break in a smart way

- More power / less vibrations and maintenance
- Long lasting nitrogen charge
- Protected tubes
- Silenced body
- Monobloc body without tie rods
- Double retainer pin
- Only two moving parts
- For all types of installations
- Visibility and versatility



MOIL POINT
Suitable for concrete, medium-hard and not layered rocks.



BLUNT TOOL
Suitable for reinforced concrete and very compact rocks.



ASPHALT CUTTER
Suitable for cutting asphalt.

SQ360



PYRAMID TOOL
Suitable for reinforced concrete and very compact rocks.



CHISEL TOOL
Suitable for medium-hard and layered rocks.



PILE DRIVER
Suitable for planting wooden or concrete poles.



WOOD CUTTER TOOL
Suitable for cutting all types of wood.

SB-SQ SERIES

Application Fields



Mining & Quarrying



Demolition & Renovation



Construction



Metallurgical Industry



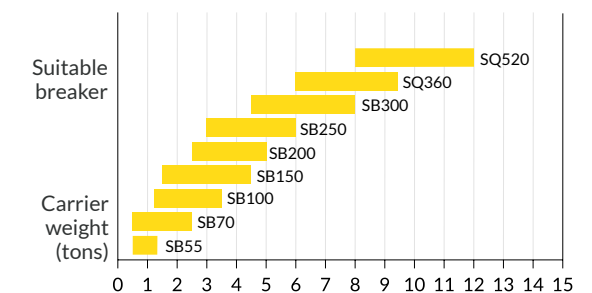
Recycling

TECHNICAL DRAWINGS



Models	SB55	SB70	SB100	SB150	SB200	SB250	Models	SB300	SQ360	SQ520	
Carrier weight	t	0.5-1.4	0.5-1.6	1.2-2.5	1.5-3.8	2.5-5	Carrier weight	t	4.5-8.5	5-10	7-13
Weight	kg	60	70	100	135	190	Weight	kg	280	330	500
Body height (a)	mm	583	583	666	666	869	Body height (a)	mm	904	1000	1150
Tool height (b)	mm	200	228	255	255	275	Tool height (b)	mm	295	385	430
Tool diameter	mm	40	40	45	48	55	Tool diameter	mm	74	77	85
Required oil supply	l/min	15-20	18-23	20-30	22-40	25-55	Required oil supply	l/min	50-70	45-100	60-110
Oil hammer pressure	bar	110	110	110	110	130	Oil hammer pressure	bar	160	160	170
Blows per minute	/min	800-1700	800-1750	800-2300	800-2000	900-1900	Blows per minute	/min	600-1500	500-1150	400-1000
Energy per blow	j	250	280	400	580	750	Energy per blow	j	1200	1600	2400
Max. Back pressure	bar	30	30	30	30	30	Max. Back pressure	bar	30	30	30
Inner diam. in hose	inch	1/2"	1/2"	1/2"	1/2"	1/2"	Inner diam. in hose	inch	3/4"	3/4"	3/4"
Inner diam. out hose	inch	1/2"	1/2"	1/2"	1/2"	1/2"	Inner diam. out hose	inch	3/4"	3/4"	3/4"

EXCAVATOR OPTIMAL RANGE



*All illustrations and numerical data in this catalog are purely indicative and subject to change at our discretion and without notice. We therefore reserve the right to modify them with a view to improving and continuously developing our product.

HAMMER HYDRAULIC BREAKERS

for excavators from 8 to 200 ton

Efficiency becomes power

- Tubes with swivels fully protected
- Operating pressure adjustment
- Anti-dust and underwater work setup
- Automatic hydraulic greasing device
- Hydraulic system for blank firings
- Manual blow adjustment
- Anti-dust system for tunnels



Find out more



MOIL POINT

Suitable for concrete, medium-hard and not layered rocks.



PYRAMID TOOL

Suitable for reinforced concrete and very compact rocks.



BLUNT TOOL

Suitable for reinforced concrete and very compact rocks.



COBRA TOOL

Suitable for quarry works, such as primary demolition and reduction of stone blocks.



CHISEL TOOL

Suitable for medium-hard and layered rocks.



AUTOMATIC HYDRAULIC GREASING DEVICE

(Optional, mounted on the breaker)
The Beka-Lube automatic lubrication system optimizes the lubrication procedure and reduces maintenance and downtimes.

FX SERIES

Application Fields



Mining & Quarrying



Demolition & Renovation



Construction



Metallurgical Industry



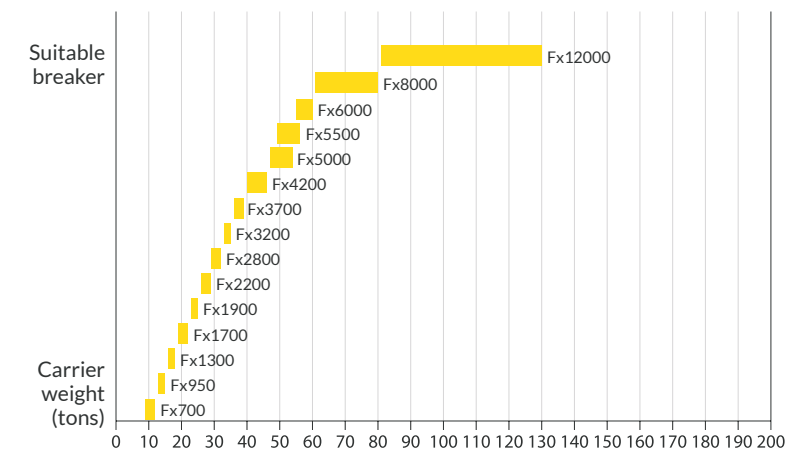
Recycling

TECHNICAL DRAWING



Models		FX700	FX950	FX1300	FX1700	FX1900	FX2200	Models		FX2800
Carrier weight	t	8-14	10-17	13-19	18-24	22-27	23-31	Carrier weight	t	28-38
Weight	kg	700	950	1200	1650	1850	2200	Weight	kg	2900
Body height (a)	mm	1310	1390	1470	1670	1790	1840	Body height (a)	mm	2030
Tool height (b)	mm	430	550	560	620	725	720	Tool height (b)	mm	710
Tool diameter	mm	95	115	120	135	140	150	Tool diameter	mm	160
Required oil supply	l/min	70-100	90-120	110-140	130-160	140-180	165-190	Required oil supply	l/min	180-240
Oil hammer pressure	bar	160	165	170	180	180	180	Oil hammer pressure	bar	180
Blows per minute	/min	600-900	600-900	400-900	400-800	400-800	400-800	Blows per minute	/min	350-700
Energy per blow	j	2000	2600	3200	4200	4700	5400	Energy per blow	j	8500
Max. Back pressure	bar	25	25	25	25	25	25	Max. Back pressure	bar	25
Inner diam. in hose	inch	3/4"	1"	1"	1"	1"	1"	Inner diam. in hose	inch	1" 1/4
Inner diam. out hose	inch	3/4"	1"	1"	1"	1"	1"	Inner diam. out hose	inch	1" 1/4

EXCAVATOR OPTIMAL RANGE



All illustrations and numerical data in this catalog are purely indicative and subject to change at our discretion and without notice. We therefore reserve the right to modify them with a view to improving and continuously developing our product.

HAMMER HYDRAULIC BREAKERS

for excavators from 8 to 170 ton



Efficiency becomes power

- Tubes with swivels fully protected
- Operating pressure adjustment
- Anti-dust and underwater work setup
- Automatic hydraulic greasing device
- Hydraulic system for blank firings
- Manual blow adjustment
- Anti-dust system for tunnels



FX SERIES

Application Fields



Mining & Quarrying



Demolition & Renovation



Construction



Metallurgical Industry



Recycling

TECHNICAL DRAWING



Models		FX3200	FX3700	FX4200	FX5000	FX5500	FX6000	Models		FX8000	FX12000
Carrier weight	t	30-40	35-50	36-55	40-55	40-65	45-75	Carrier weight	t	60-110	80-170
Weight	kg	3200	3700	4400	4800	5200	5800	Weight	kg	7300	11000
Body height (a)	mm	2030	2250	2250	2300	3000	3200	Body height (a)	mm	3700	4440
Tool height (b)	mm	710	790	790	790	700	700	Tool height (b)	mm	800	760
Tool diameter	mm	160	180	180	180	195	195	Tool diameter	mm	215	255
Required oil supply	l/min	200-260	250-300	270-320	270-320	290-350	300-380	Required oil supply	l/min	380-440	480-570
Oil hammer pressure	bar	180	180	190	190	190	190	Oil hammer pressure	bar	190	190
Blows per minute	/min	300-650	300-650	300-650	350-700	250-550	250-550	Blows per minute	/min	200-400	150-300
Energy per blow	j	9000	9500	12500	13500	16500	18500	Energy per blow	j	23000	28000
Max. Back pressure	bar	25	25	25	25	30	30	Max. Back pressure	bar	30	30
Inner diam. in hose	inch	1" 1/4	1" 1/4	1" 1/4	1" 1/4	1" 1/4	1" 1/4	Inner diam. in hose	inch	1" 1/4	1" 1/2
Inner diam. out hose	inch	1" 1/4	1" 1/4	1" 1/4	1" 1/4	1" 1/4	1" 1/4	Inner diam. out hose	inch	1" 1/4	1" 1/2



All illustrations and numerical data in this catalog are purely indicative and subject to change at our discretion and without notice. We therefore reserve the right to modify them with a view to improving and continuously developing our product.

EARTH DRILLS

for excavators from 1 to 22 ton

Drilling has no limits!

- Forged hood ears.
- Epicyclic gearbox.
- High quality hydraulic motors.
- Non-dislodgement shaft.



Find out more



STUMP PLANER



SMALL MIXER BOWL



BIG MIXER BOWL



LOG-SPLITTER



X SERIES

Application Fields



Models		X1500	X2000	X2500	X3000	X3500	X4500	X5500
Carrier weight	t	1-2	1-2.5	1.5-3	2-4	2.5-4.5	3-5	4.5-6
Unit Weight	kg	46	47	48	71	73	75	108
Torque range	Nm	511-1496	539-2190	830-2847	959-2877	1205-3614	1574-4721	1685-5477
Oil pressure range	bar	70-205	70-240	70-240	80-240	80-240	80-240	80-260
Oil flow range	l/min	20-45	25-57	27-65	27-75	40-85	50-95	40-115
Speed range	rpm	44-98	43-99	36-87	36-100	42-90	40-77	30-87
Unit height	mm	585	585	585	665	665	665	780
Unit diameter	mm	200	200	200	244	244	244	269
Augers		S4	S4	S4	S4	S4	S4	S5
Augers diameter	mm	100-400	100-450	100-500	100-600	100-750	100-900	150-750

Models		X7000	X8000	X12000	X15000	X20000	X25000
Carrier weight	t	5-7	6-8	8-13	10-15	13-20	15-22
Unit Weight	kg	112	116	172	173	268	269
Torque range	Nm	2133-6931	2717-8152	3998-11995	5024-15071	13043-19564	16503-24755
Oil pressure range	bar	80-260	80-240	80-240	80-240	160-240	160-240
Oil flow range	l/min	60-135	70-150	80-170	80-170	80-170	80-170
Speed range	rpm	36-81	33-70	25-54	20-43	16-33	12-26
Unit height	mm	780	780	930	930	1130	1130
Unit diameter	mm	269	269	290	290	345	345
Augers		S5	S5	S6	S6	S6	S6
Augers diameter	mm	150-900	150-1200	150-1000	150-1200	150-1200	150-1500

*All illustrations and numerical data in this catalog are purely indicative and subject to change at our discretion and without notice. We therefore reserve the right to modify them with a view to improving and continuously developing our product.

EARTH DRILLS

for excavators from 1 to 22 ton

Drilling has no limits!

- Forged hood ears.
- Epicyclic gearbox.
- High quality hydraulic motors.
- Non-dislodgement shaft.



X SERIES

Application Fields



Mining & Quarrying



Demolition & Renovation



Construction



Metallurgical Industry



Recycling

AUGERS S4

- Auger - S4 - 100mm Tungsten - Length 1200mm
- Auger - S4 - 150mm Tungsten - Length 1200mm
- Auger - S4 - 200mm Tungsten - Length 1200mm
- Auger - S4 - 225mm Tungsten - Length 1200mm
- Auger - S4 - 250mm Tungsten - Length 1200mm
- Auger - S4 - 300mm Tungsten - Length 1200mm
- Auger - S4 - 350mm Tungsten - Length 1200mm
- Auger - S4 - 400mm Tungsten - Length 1200mm
- Auger - S4 - 450mm Tungsten - Length 1200mm
- Auger - S4 - 500mm Tungsten - Length 1200mm
- Auger - S4 - 600mm Tungsten - Length 1200mm
- Auger - S4 - 750mm Tungsten - Length 1200mm
- Auger - S4 - 800mm Tungsten - Length 1200mm
- Auger - S4 - 900mm Tungsten - Length - 1200mm

AUGERS S5

- Auger S5 - 150mm - Tungsten - Length 1500mm
- Auger S5 - 200mm - Tungsten - Length 1500mm
- Auger S5 - 225mm - Tungsten - Length 1500mm
- Auger S5 - 250mm - Tungsten - Length 1500mm
- Auger S5 - 300mm - Tungsten - Length 1500mm
- Auger S5 - 350mm - Tungsten - Length 1500mm
- Auger S5 - 400mm - Tungsten - Length 1500mm
- Auger S5 - 450mm - Tungsten - Length 1500mm
- Auger S5 - 500mm - Tungsten - Length 1500mm
- Auger S5 - 600mm - Tungsten - Length 1500mm
- Auger S5 - 750mm - Tungsten - Length 1500mm
- Auger S5 - 800mm - Tungsten - Length 1500mm
- Auger S5 - 900mm - Tungsten - Length 1500mm
- Auger S5 - 1000mm - Tungsten - Length 1500mm

AUGERS S6

- Auger - S6 - 150mm - Tungsten - Length 1875mm
- Auger - S6 - 200mm - Tungsten - Length 1875mm
- Auger - S6 - 225mm - Tungsten - Length 1875mm
- Auger - S6 - 250mm - Tungsten - Length 1875mm
- Auger - S6 - 300mm - Tungsten - Length 1875mm
- Auger - S6 - 350mm - Tungsten - Length 1875mm
- Auger - S6 - 400mm - Tungsten - Length 1875mm
- Auger - S6 - 450mm - Tungsten - Length 1875mm
- Auger - S6 - 500mm - Tungsten - Length 1875mm
- Auger - S6 - 600mm - Tungsten - Length 1875mm
- Auger - S6 - 750mm - Tungsten - Length 1875mm
- Auger - S6 - 800mm - Tungsten - Length 1875mm
- Auger - S6 - 900mm - Tungsten - Length 1875mm
- Auger - S6 - 1000mm - Tungsten - Length 1875mm
- Auger - S6 - 1200mm - Tungsten - Length 1875mm
- Auger - S6 - 1500mm - Tungsten - Length 1875mm

EXTENSIONS for S4

- Extension - S4 - Length 500mm
- Extension - S4 - Length 1000mm

EXTENSIONS for S5

- Extension - S5 - Length 1000mm
- Extension - S5 - Length 1500mm
- Extension - S5 - Length 2000mm
- Extension - S5 - Length 2500mm

EXTENSIONS for S6

- Extension - S6 - Length 1000mm
- Extension - S6 - Length 1500mm
- Extension - S6 - Length 2000mm
- Extension - S6 - Length 2500mm
- Extension - S6 - Length 3000mm

*All illustrations and numerical data in this catalog are purely indicative and subject to change at our discretion and without notice. We therefore reserve the right to modify them with a view to improving and continuously developing our product.

DEMOLITION ROTATING PULVERIZERS

for excavators from 3 to 90 ton



Find out more



Designed to last!

- Double motors for an excellent rotation and high power
- Integrated "relief" valve to avoid pressure peaks on the rotating motor
- Double-turn ball bearing (from model FRK17 up)
- Designed and built to achieve high crushing force



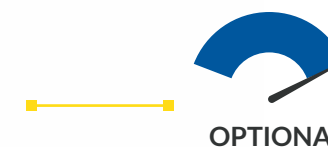
THE ROTARY PULVERIZERS OF THE NEW FRK SERIES HAVE BEEN DEVELOPED FOR PRIMARY AND SECONDARY DEMOLITION.

ALL THE PARTS THAT MOSTLY UNDERGO WEARING ARE EASILY REPLACEABLE

- Excellent speed/power to weight ratio
- Cylinder fully protected from possible debris during demolition
- Plates designed to achieve an excellent crushing force

PRESSURE UP TO 350 BAR

SPEED VALVE (optional from model FRK17 up)



OPTIONAL



FRK SERIES

Application Fields



Mining & Quarrying



Demolition & Renovation



Construction

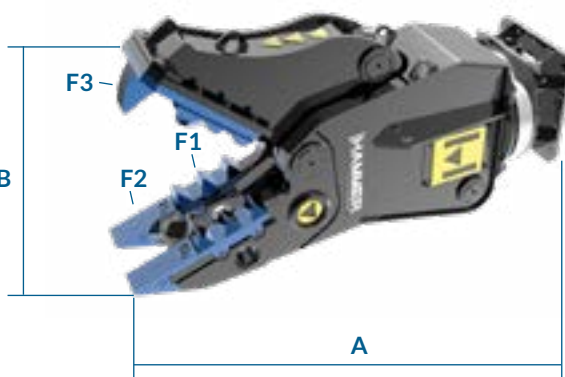


Metallurgical Industry



Recycling

TECHNICAL DRAWING



All illustrations and numerical data in this catalog are purely indicative and subject to change at our discretion and without notice. We therefore reserve the right to modify them with a view to improving and continuously developing our product.

Models		FRK03	FRK06	FRK10	Models		FRK13	FRK17	FRK21	FRK26	FRK32	FRK42	FRK60	FRK80
Carrier weight	t	3-8	6-13	9-17	Carrier weight	t	12-20	14-23	16-27	20-32	26-40	32-55	50-70	65-90
Weight	kg	330	570	1000	Weight	kg	1400	1650	2000	2400	3300	4200	4800	6650
Excavator oil flow capacity	l/min	30-70	60-100	70-110	Excavator oil flow capacity	l/min	110-160	140-200	180-230	200-300	250-350	350-450	400-500	450-600
Excavator working pressure	bar	280	320	320	Excavator working pressure	bar	350	350	350	350	350	350	350	350
360° Rotation	°	360°	360°	360°	360° Rotation	°	360°	360°	360°	360°	360°	360°	360°	360°
Rotation oil flow capacity	l/min	10-25	20-40	20-40	Rotation oil flow capacity	l/min	30-60	40-60	40-60	40-60	40-60	40-60	40-60	50-70
Rotation Pressure	bar	100	100	100	Rotation Pressure	bar	140	140	140	140	140	140	140	140
A	mm	1280	1450	1620	A	mm	1900	2000	2100	2300	2500	2700	2965	3300
B	mm	415	520	605	B	mm	655	720	780	880	1000	1100	1250	1400
Steel blade length	mm	120	150	150	Steel blade length	mm	160	200	200	200	200	250	250	250
F1	t	110	130	150	F1	t	190	195	220	250	370	505	610	735
F2	t	60	65	70	F2	t	120	120	120	140	225	285	345	415
F3	t	35	40	45	F3	t	53	63	70	80	100	115	140	170
Ø Max	mm	28	30	30	Ø Max	mm	40	40	50	55	60	65	70	80

STATIC PULVERIZERS

for excavators from 15 to 60 ton



Find out more

NEW PRODUCT

First quality secondary demolition

- Designed and built to achieve high crushing force
- Cylinder fully protected from possible debris during demolition
- Speed valve *optional
- Easy replaceable wearing parts



DESIGNED FOR SECONDARY DEMOLITION, HAMMER STATIC PULVERIZERS CAN BOTH BREAK UP REINFORCED CONCRETE STRUCTURES AND SEPARATE THE STEEL.

ALL THE PARTS THAT MOSTLY UNDERGO WEARING ARE EASILY REPLACEABLE



SPEED VALVE



FPK SERIES

Application Fields



Mining & Quarrying



Demolition & Renovation



Construction

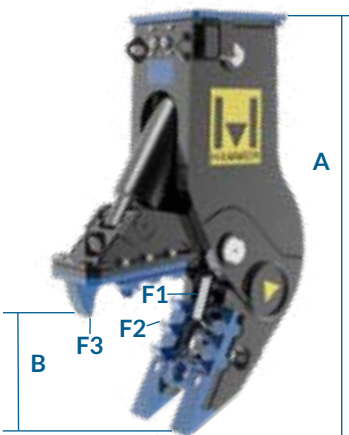


Metallurgical Industry



Recycling

TECHNICAL DRAWING



Models		FPK16	FPK21	FPK32	FPK42
Carrier weight	t	15-25	20-35	27-45	35-60
Weight	kg	1600	2000	3000	4000
Excavator oil flow capacity	l/min	140-200	200-250	220-280	260-340
Excavator working pressure	bar	350	350	350	350
A	mm	2090	2230	2450	2750
B	mm	745	840	980	1200
Steel blade length	mm	200	200	300	300
F1	t	240	285	355	415
F2	t	100	125	155	200
F3	t	70	80	95	110
Ø Max	mm	35	45	55	70

All illustrations and numerical data in this catalog are purely indicative and subject to change at our discretion and without notice. We therefore reserve the right to modify them with a view to improving and continuously developing our product.



2-CYLINDER CONCRETE CRUSHERS

for excavators from 1 to 80 ton



Find out more

Not even the hardest job can withstand the MCK!

- Double motors for an excellent rotation and high power (MCK20 up).
- Double-turn ball bearing (MCK20 up).
- Jaws highly resistant.
- High cutting power.
- Cylinders fully protected from possible debris during demolition.



"A" JAW



MCK01



"F" JAW - CRUSHER

MCK SERIES

Application Fields



NEW

Models		MCK01	MCK03-A	MCK06-A	MCK03-F	MCK06-F	MCK10-F
Carrier weight	t	1-4	3-9	7-15	3-9	7-15	10-17
Weight	kg	190	300	650	300	650	1200
Closing force	t**	38	50	60	50	60	70
Jaw opening	mm	390	400	550	400	525	780
Jaw depth	mm	400	430	600	430	600	690
Width upper jaw	mm	50	40	45	40	45	50
Height	mm	980	1150	1500	1150	1500	1800
Length of cutting blades	mm	100	100	165	100	165	200
Opening/Closing Pmax	bar*	220	260	320	260	320	320
Flow	l/min	20-50	30-50	70-120	30-50	70-120	90-150
Rotation Pmax	bar	120	100	100	100	100	140
Flow	l/min	10-25	10-30	10-30	10-30	10-30	40-60
Back pressure max.	bar	-	-	-	-	-	-
Cycle time Opening/Closing	sec	1.8/2.5	1.8/2.5	2.2/3.0	1.8/2.5	2.2/3.0	2.4/3.1

EXCAVATORS WITH WEIGHT FROM 1 TO 4 ton.

For excavators with remote control (with sablisers)

SPEED VALVE (from model MCK20 up)



"A" JAW

All illustrations and numerical data in this catalog are purely indicative and subject to change at our discretion and without notice. We therefore reserve the right to modify them with a view to improving and continuously developing our product.

2-CYLINDER CONCRETE CRUSHERS

for excavators from 1 to 80 ton



Find out more

Not even the hardest job can withstand the MCK!

- Double motors for an excellent rotation and high power (MCK20 up).
- Double-turn ball bearing (MCK20 up).
- Jaws highly resistant.
- High cutting power.
- Cylinders fully protected from possible debris during demolition.

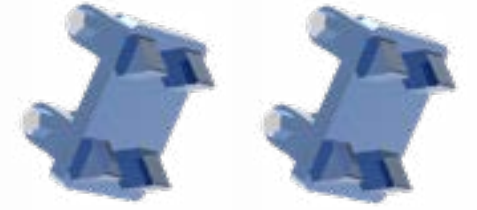


"A" JAW

USED FOR CUTTING AND CRUSHING CONCRETE WITH STEEL REINFORCEMENT AND FOR CUTTING STEEL STRUCTURES, THE HAMMER CONCRETE CRUSHER HAS BEEN DEVELOPED FOR PRIMARY AND SECONDARY DEMOLITION.



"L" JAW-WOOD CUTTER



MCK "F" Crushing kit

- Hydraulic system fully protected by the frame
- Perfect jaws geometry ensures that blades remain sharp longer
- Wearing jaws and blades easily replaceable on site
- Customized jaws are available for every customer need *optional

MCK SERIES

Application Fields



Mining & Quarrying



Demolition & Renovation



Construction

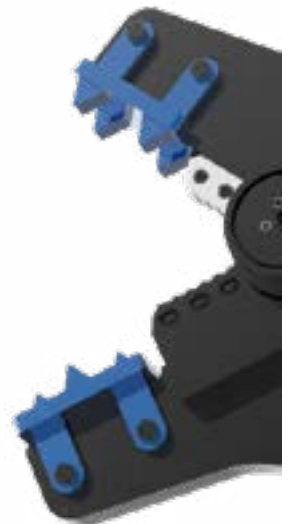


Metallurgical Industry



Recycling

Models		MCK10-A	MCK15-A	NEW MCK15-L	NEW MCK15-F	MCK20-A	MCK25-A	MCK35-A	Models	MCK45-A	MCK60-A	MCK75-A	
		Carrier weight	t	10-17	14-20	14-20	14-20	18-25		20-35	25-45	Carrier weight	t
Weight	kg	1200	1400	1400	1400	2000	2425	3250	Weight	kg	4200	5300	6300
Closing force	t**	70	78	78	78	84	96	108	Closing force	t**	124	144	160
Jaw opening	mm	780	825	854	825	1000	1150	1360	Jaw opening	mm	1500	1600	1750
Jaw depth	mm	690	780	780	780	865	935	1335	Jaw depth	mm	1135	1235	1350
Width upper jaw	mm	50	55	55	55	60	70	80	Width upper jaw	mm	90	100	100
Height	mm	1800	1980	1980	1980	2195	2390	2545	Height	mm	2845	2995	3225
Length of cutting blades	mm	200	200	200	200	200	250	300	Length of cutting blades	mm	300	300	400
Opening/Closing Pmax	bar*	320	320	320	320	320	320	320	Opening/Closing Pmax	bar*	320	320	320
Flow	l/min	90-150	110-170	110-170	110-170	150-250	200-300	250-350	Flow	l/min	300-500	400-600	500-700
Rotation Pmax	bar	140	140	140	140	140	140	140	Rotation Pmax	bar	140	140	200
Flow	l/min	40-60	40-60	40-60	40-60	40-60	40-60	40-60	Flow	l/min	40-60	40-60	60
Back pressure max.	bar	-	-	-	-	-	-	-	Back pressure max.	bar	-	-	10**
Cycle time Opening/Closing	sec	2.4/3.1	2.3/3.0	2.3/3.0	2.3/3.0	2.3/3.0	2.5/3.4	3.3/3.6	Cycle time Opening/Closing	sec	3.2/3.4	2.8/3.9	2.8/3.8



"F" JAW

All illustrations and numerical data in this catalog are purely indicative and subject to change at our discretion and without notice. We therefore reserve the right to modify them with a view to improving and continuously developing our product.

2-CYLINDER CONCRETE CRUSHERS

for excavators from 1 to 80 ton



Find out more



Not even the hardest job can withstand the MCK!

- Double motors for an excellent rotation and high power (MCK20 up).
- Double-turn ball bearing (MCK20 up).
- Jaws highly resistant.
- High cutting power.
- Cylinders fully protected from possible debris during demolition.



USED FOR CUTTING AND CRUSHING CONCRETE WITH STEEL REINFORCEMENT AND FOR CUTTING STEEL STRUCTURES, THE HAMMER CONCRETE CRUSHER HAS BEEN DEVELOPED FOR PRIMARY AND SECONDARY DEMOLITION.

- Hydraulic system fully protected by the frame
- Perfect jaws geometry ensures that blades remain sharp longer
- Wearing jaws and blades easily replaceable on site
- Customized jaws are available for every customer need *optional

MCK SERIES

"C" JAW

Application Fields



Mining & Quarrying



Demolition & Renovation



Construction



Metallurgical Industry



Recycling

Models		MCK10-C	MCK15-C	MCK20-C	MCK25-C	MCK35-C	MCK45-C
Carrier weight	t	10-17	14-20	18-25	20-35	25-45	35-55
Weight	kg	1200	1400	2100	2425	3300	4320
Closing force	t**	70	78	84	96	108	124
Jaw opening	mm	780	825	1000	1150	1360	1500
Jaw depth	mm	690	780	865	935	1335	1135
Width upper jaw	mm	50	55	60	70	80	90
Height	mm	1800	1980	2195	2390	2545	2845
Length of cutting blades	mm	200	200	200	250	300	300
Opening/Closing Pmax	bar*	320	320	320	320	320	320
Flow	l/min	90-150	110-170	150-250	200-300	250-350	300-500
Rotation Pmax	bar	140	140	140	140	140	140
Flow	l/min	40-60	40-60	40-60	40-60	40-60	40-60
Back pressure max.	bar	-	-	-	-	-	-
Cycle time Opening/Closing	sec	2.4/3.1	2.3/3.0	2.3/3.0	2.5/3.4	3.3/3.6	3.2/3.4

Models		MCK60-C	MCK75-C
Carrier weight	t	50-70	60-80
Weight	kg	5440	6300
Closing force	t**	144	160
Jaw opening	mm	1600	1700
Jaw depth	mm	1235	1350
Width upper jaw	mm	100	100
Height	mm	2995	3225
Length of cutting blades	mm	300	400
Opening/Closing Pmax	bar*	320	320
Flow	l/min	400-600	500-700
Rotation Pmax	bar	140	200
Flow	l/min	40-60	60
Back pressure max.	bar	-	10**
Cycle time Opening/Closing	sec	2.8/3.9	2.8/3.8



"C" JAW

All illustrations and numerical data in this catalog are purely indicative and subject to change at our discretion and without notice. We therefore reserve the right to modify them with a view to improving and continuously developing our product.

2-CYLINDER CONCRETE CRUSHERS

for excavators from 1 to 80 ton



Find out more



Not even the hardest job can withstand the MCK!

- Double motors for an excellent rotation and high power (MCK20 up).
- Double-turn ball bearing (MCK20 up).
- Jaws highly resistant.
- High cutting power.
- Cylinders fully protected from possible debris during demolition.



USED FOR CUTTING AND CRUSHING CONCRETE WITH STEEL REINFORCEMENT AND FOR CUTTING STEEL STRUCTURES, THE HAMMER CONCRETE CRUSHER HAS BEEN DEVELOPED FOR PRIMARY AND SECONDARY DEMOLITION.



- Hydraulic system fully protected by the frame
- Perfect jaws geometry ensures that blades remain sharp longer
- Wearing jaws and blades easily replaceable on site
- Customized jaws are available for every customer need *optional

MCK SERIES

"D" JAW

Application Fields



Mining & Quarrying



Demolition & Renovation



Construction



Metallurgical Industry



Recycling

		NEW	NEW	NEW	NEW	NEW	NEW
Models		MCK20-D	MCK25-D	MCK35-D	MCK45-D	MCK60-D	MCK75-D
Carrier weight	t	18-25	20-35	25-45	35-55	50-70	60-80
Weight	kg	2100	2425	3300	4320	5440	6300
Closing force	t**	84	96	108	124	144	160
Jaw opening	mm	980	1125	1355	1490	1565	1710
Jaw depth	mm	865	935	1335	1135	1235	1350
Width upper jaw	mm	60	70	80	90	100	100
Height	mm	2195	2390	2545	2845	2995	3225
Length of cutting blades	mm	200	250	300	300	300	400
Opening/Closing Pmax	bar*	320	320	320	320	320	320
Flow	l/min	150-250	200-300	250-350	300-500	400-600	500-700
Rotation Pmax	bar	140	140	140	140	140	200
Flow	l/min	40-60	40-60	40-60	40-60	40-60	60
Back pressure max.	bar	-	-	-	-	-	10**
Cycle time Opening/Closing	sec	2.3/3.0	2.5/3.4	3.3/3.6	3.2/3.4	2.8/3.9	2.8/3.8



"D" JAW

All illustrations and numerical data in this catalog are purely indicative and subject to change at our discretion and without notice. We therefore reserve the right to modify them with a view to improving and continuously developing our product.

ROTATING PULVERIZERS

for excavators from 5 to 32 ton

No limits to demolition

- Rotation 360°
- Integrated "relief" valve to avoid pressure peaks on the rotating motor
- Double-turn ball bearing (from model FR15 up)
- Double motor for extra power and precision (from model FR15 up)
- Excellent speed/power to weight ratio
- Cylinder fully protected from possible debris during demolition
- Designed and built to achieve more power



Find out more

THE ROTARY PULVERIZERS OF THE NEW FR SERIES HAVE BEEN DEVELOPED FOR PRIMARY AND SECONDARY DEMOLITION. THE JAWS ARE DESIGNED FOR EACH APPLICATION AREA.

ALL THE PARTS THAT MOSTLY UNDERGO WEARING ARE EASILY REPLACEABLE

PRESSURE UP TO 300 BAR



FR SERIES

Application Fields



Mining & Quarrying



Demolition & Renovation



Construction

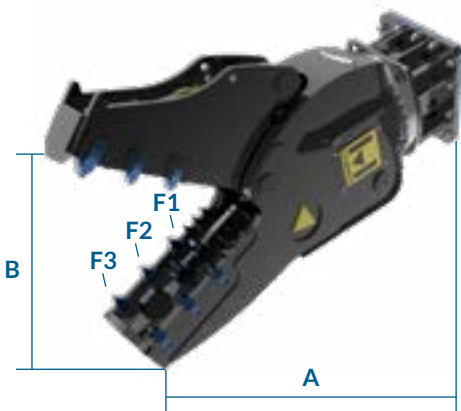


Metallurgical Industry



Recycling

TECHNICAL DRAWING



All illustrations and numerical data in this catalog are purely indicative and subject to change at our discretion and without notice. We therefore reserve the right to modify them with a view to improving and continuously developing our product.

Models		FR04	FR07	FR09	Models		FR12	FR15	FR21	FR26
Carrier weight	t	5-10	8-13	11-15	Carrier weight	t	14-18	16-22	18-27	24-32
Weight	kg	550	790	950	Weight	kg	1450	1700	2050	2500
Excavator oil flow capacity	l/min	50-70	60-100	70-110	Excavator oil flow capacity	l/min	110-160	140-200	180-230	200-300
Excavator working pressure	bar	280	300	300	Excavator working pressure	bar	300	300	300	300
360° Rotation	°	360°	360°	360°	360° Rotation	°	360°	360°	360°	360°
Rotation oil flow capacity	l/min	5-8	5-8	5-8	Rotation oil flow capacity	l/min	20-25	20-30	20-30	20-30
Rotation Pressure	bar	100	100	100	Rotation Pressure	bar	70	70	70	70
A	mm	1400	1570	1600	A	mm	1850	1950	2200	2300
B	mm	440	600	650	B	mm	680	710	800	920
Steel blade length	mm	160	160	160	Steel blade length	mm	200	200	200	200
F1	t	100	115	140	F1	t	180	195	234	250
F2	t	50	55	65	F2	t	110	120	135	140
F3	t	30	35	40	F3	t	57	65	80	85
Ø Max	mm	20	25	25	Ø Max	mm	35	40	45	50



HYDRAULIC SCRAP SHEARS

for excavators from 2 to 100 ton



Find out more

Power and performance against your scraps

- Extremely high cutting power and optimal performance/weight ratio.
- Double motors for an excellent rotation and high power.
- Cylinder fully protected from possible debris during demolition.
- Body and jaws made of wear resistant steel.
- Double-turn ball bearing (from model KSC22 up).
- Strong jaw guiding system.
- Blades made of indexable steel 4 or 8 times.



THE HAMMER KSC SCRAP SHEARS ARE DESIGNED TO ACHIEVE AN OPTIMAL POWER TO WEIGHT RATIO.

ALL THE PARTS THAT MOSTLY UNDERGO WEARING ARE EASILY REPLACEABLE

SPEED VALVE (OPTIONAL *FROM MODEL KSC22 UP)



- Optimized pin stops
- Replaceable tip
- Specific design
- Use of more performing materials
- Rotation 360°

ENHANCED ROTATION SYSTEM (DOUBLE MOTOR WITH FILTER)

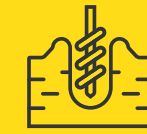


OPTIONAL

PRESSURE UP TO 350 BAR

KSC SERIES

Application Fields



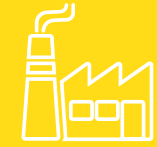
Mining & Quarrying



Demolition & Renovation



Construction



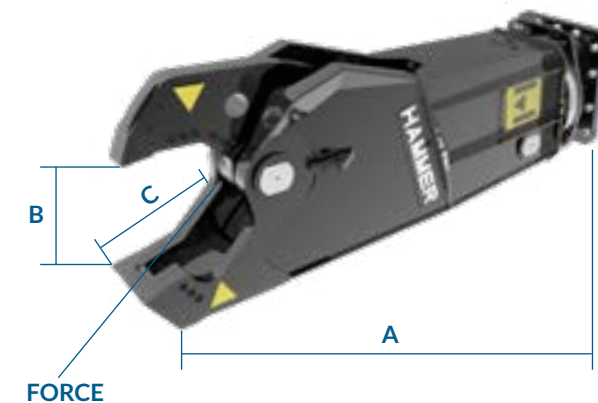
Metallurgical Industry



Recycling

Models		KSC03	KSC06	KSC11	KSC22	KSC32	KSC42	KSC52	KSC62	KSC72
Excavator weight - stick mounting	t	1.5-7	5-12	10-20	14-28	20-35	32-55	45-65	60-70	75-100
Excavator weight - boom mounting	t	1.2-5	3-8	7-14	12-21	20-30	25-40	35-55	35-40	45-55
Weight	kg	300	480	1100	2150	3100	4100	5000	6200	7900
Excavator oil flow capacity	l/min	80-100	70-100	150-200	150-250	200-300	300-400	350-450	400-500	450-600
Excavator working pressure	bar	280	250	280	320	320	350	350	350	350
360° rotation	°	360°	360°	360°	360°	360°	360°	360°	360°	360°
Rotation oil flow capacity	l/min	5	20-30	20-30	40-60	40-60	40-60	40-60	25/50	70
Rotation Pressure	bar	120	80	140	140	140	140	140	140	140
A	mm	1330	1880	2210	2570	2720	3050	3400	3905	4190
B	mm	265	350	430	490	570	620	660	780	845
C	mm	230	348	480	470	490	540	585	690	710
Cutting Force**	kn	1850	2750	3800	4650	6300	7550	9550	9000	12000
∅ Max	mm	25	30	45	70	90	100	110	125	135
■	mm	22	25	35	60	80	90	100	110	120
—	mm	5	6	10	15	20	22	25	28	30
I	mm	80	100	200	300	400	450	500	550	600
H	mm	60	70	140	200	260	280	310	330	350

TECHNICAL DRAWING



*All illustrations and numerical data in this catalog are purely indicative and subject to change at our discretion and without notice. We therefore reserve the right to modify them with a view to improving and continuously developing our product.

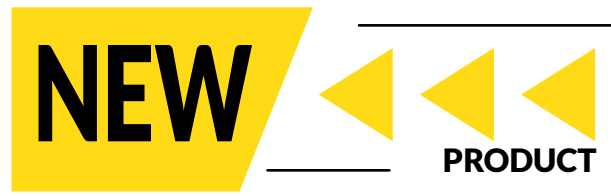


MOBILE RAIL CUTTER

for excavators from 22 to 35 ton



Find out more



Cut in the right way!

- Large heavy duty bearings for reduced bushing wear.
- Housing made of extremely resistant special steel.
- Heavy duty 360° rotation.



THE MOBILE HAMMER RAIL CUTTER RC30 IS A SPECIAL DEVELOPMENT FOR THE CONTROLLED DEMOLITION OF RAIL SYSTEMS AND FOR THE SCRAP PREPARATION OF RAILWAY LINES.

ALL CURRENT VIGNOL RAILS (FLAT BOTTOM RAILS) WITH A STANDARD QUALITY UP TO 900 N/MM2 AND A PROFILE SIZE „S7“ TO „UIC 60“ CAN BE CUT. VIGNOL RAILS IN SPECIAL QUALITIES EXCEEDING 900 N/MM2 OR WITH HEAD HARDENING ARE EXCLUDED. THE WEAR OF THE CUTTERS HIGHLY DEPENDS ON THE QUALITY OF THE RAILS.

PRESSURE UP TO 350 BAR

RC SERIES

Application Fields



Models		RC30
Excavator weight	t	22-35
Weight	kg	2650
A	mm	2335
B	mm	225
C	mm	190
360° rotation	°	360°
Operating pressure (open/close)	bar	350
Operating pressure (rotate)	bar	140
Back pressure	bar	5
Recommended oil flow (open/close)	l/min	150-250
Recommended oil flow (rotate)	l/min	18-25

TECHNICAL DRAWING



**All illustrations and numerical data in this catalog are purely indicative and subject to change at our discretion and without notice. We therefore reserve the right to modify them with a view to improving and continuously developing our product.*



VEHICLE DISMANTLER

for excavators from 9 to 23 ton



[Find out more](#)



NEW



Ready, set, cut!

- Rotation 360°
- Integrated “relief” valve to avoid pressure peaks on the rotating motor
- Excellent speed/power to weight ratio
- Cylinder fully protected from possible debris during demolition



- Easily interchangeable and reversible blades
- Straight blades for a smooth and precise cut
- Sharp jaws allow components to be removed from vehicles

**CS
SERIES**

Application Fields



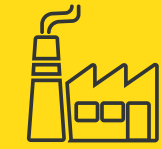
Mining & Quarrying



Demolition & Renovation



Construction



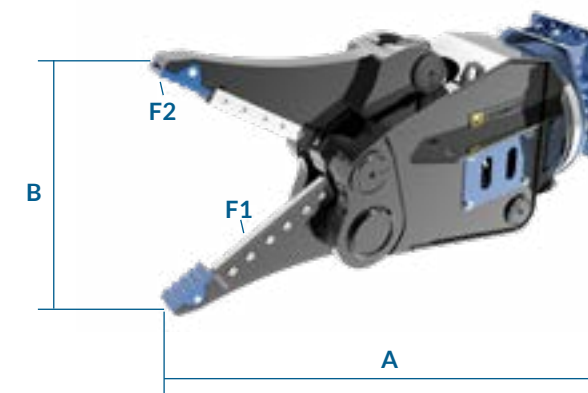
Metallurgical Industry



Recycling

Models		NEW	NEW
		CS10	CS17
Carrier weight	t	9-17	14-23
Weight	kg	980	1650
Excavator oil flow capacity	l/min	70-110	140-200
Excavator working pressure	bar	320	350
360° Rotation	°	360°	360°
Rotation oil flow capacity	l/min	20-40	40-60
Rotation Pressure	bar	100	140
A	mm	1794	2020
B	mm	753	870
Total Steel blade length	mm	450	520
F1	t	80	195
F2	t	41	120

TECHNICAL DRAWING



**All illustrations and numerical data in this catalog are purely indicative and subject to change at our discretion and without notice. We therefore reserve the right to modify them with a view to improving and continuously developing our product.*

MULTI-PURPOSE GRABS

for excavators from 1 to 52 ton



Find out more

Grab up everything!

- Replaceable wear plates (400hb).
- Robust and fully integrated rotation.
- Relief valve for hydraulic rotation.
- Cylinder fully protected from possible debris during demolition.
- Opening/Closing lock valve *optional.
- Kit for two hydraulic lines system (GR15-GR75) *Optional.
This kit can only be purchased at the moment of the order. It is not possible to add this kit after the product installation.



THE NEW MULTI PURPOSE GRABS OF GR SERIES ARE DESIGNED FOR HANDLING, RECYCLING AND SMALL DEMOLITIONS.

ALL THE PARTS THAT MOSTLY UNDERGO WEARING ARE EASILY REPLACEABLE

HIGH CLOSING FORCE



CURB HANDLING



FULL SIDE CLOSING KIT



4-GRIP KIT



TOOTHED SIDE CLOSING KIT

GR SERIES

Application Fields



Mining & Quarrying



Demolition & Renovation



Construction



Metallurgical Industry

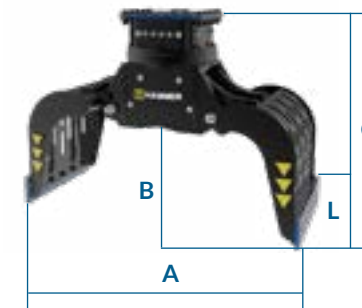


Recycling

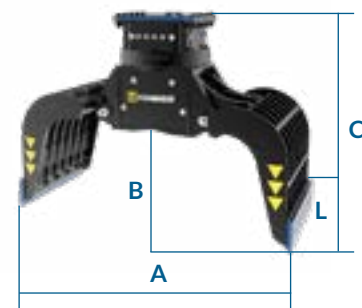
Models		NEW							
		GR10	GR15	GR25	GR45	GR75	GR100	GR150	GR210
Carrier weight	t	1-3	1.5-4	4-7	5-12	7-16	13-19	17-30	24-35
Weight + Standard Jaw	kg	93	145	240	480	700	1000	1500	1890
Weight + Demolition Jaw	kg	/	155	310	560	980	1380	1750	2030
Weight + Teeth Jaw	kg	/	155	245	480	710	1000	1510	/
Excavator oil flow capacity	l/min	14	15	20	25	45	50	75	170
Excavator working pressure	bar	180	200	250	250	250	300	300	310
360° Rotation	°	360°	360°	360°	360°	360°	360°	360°	360°
Rotation oil flow capacity	l/min	8-16	10-20	10-20	15-25	15-25	40-60	40-60	30
Rotation Pressure	bar	80	100	100	100	100	100	100	210
A	mm	700	925	1170	1500	1635	1780	1950	2400
B	mm	270	300	370	470	520	570	675	690
C	mm	680	700	825	1045	1130	1225	1550	1450
L	mm	300	400	500	600	700	800	1020	1205

Models		NEW	
		GR260	GR300
Carrier weight	t	28-45	35-50
Weight + Standard Jaw	kg	2480	2790
Weight + Demolition Jaw	kg	2715	3480
Weight + Teeth Jaw	kg	/	/
Excavator oil flow capacity	l/min	200	200
Excavator working pressure	bar	310	310
360° Rotation	°	360°	360°
Rotation oil flow capacity	l/min	30	30
Rotation Pressure	bar	210	210
A	mm	2420	2800
B	mm	700	759
C	mm	1660	1750
L	mm	1205	1500

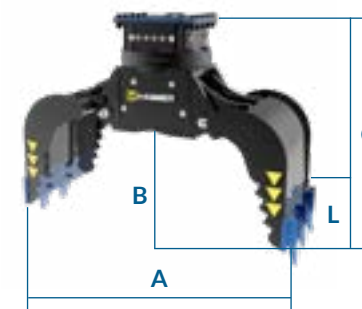
TECHNICAL DRAWING



GR + STANDARD JAWS



GR + DEMOLITION JAWS



GR + TEETH JAWS

*All illustrations and numerical data in this catalog are purely indicative and subject to change at our discretion and without notice. We therefore reserve the right to modify them with a view to improving and continuously developing our product.

SCREENING BUCKET

for excavators from 1.4 to 65 ton



Find out more

NEW

PRODUCT

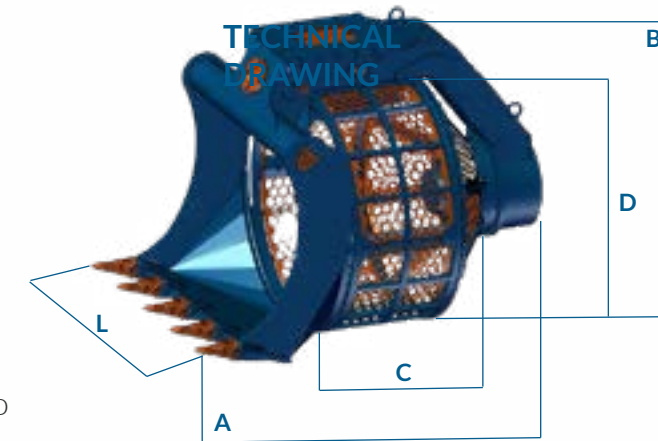
Recycle and save!

Recommended for:

- Selection of pebbles along watercourses.
- Filling of containment cages.
- Selection of waste materials after demolition.
- Reclamation of stony soils.
- Removal of stones along the beaches.
- Separation of organic waste in landfill.
- Aggregate recovery in building renovations.
- Maintenance of public and private green areas.
- Coverage of pipes in canalization works.



- Inlet profile inclined to facilitate loading of the material to be screened.
- Also available in wheel-loader version.
- Perimeter kit available in braided net or perforated sheet.
- Perimeter kit consisting of 4 bent sections bolted to the basket easily replaceable by the operator.
- From BVR12E on, the tapered bottom increases the screening surface.
- Integrated high-pressure relief valve that protects the motor against pressure peaks.
- Hydraulic components protected by the frame and easy to access for possible inspections.
- Double-turn ball bearing to fully support the screening basket.



Extremely versatile and compact equipment, designed for selection and screening operations.

BVR SERIES

Application Fields



Mining & Quarrying



Demolition & Renovation



Construction



Metallurgical Industry



Recycling

Models		BVR05	BVR07	BVR08	BVR09	BVR12E
Carrier weight	t	1.4-2.8	2.5-5.5	4.5-9	7-14	12-18
Weight	kg	110	250	350	690	1320
A	mm	740	1070	1175	1480	1950
B	mm	630	805	930	1055	1460
C	mm	320	445	515	690	790
D	mm	500	640	750	840	1170
L	mm	520	700	800	900	1200
Cap. SAE	m ³	0.2	0.3	0.5	0.7	1.3
	m ³	0.08	0.2	0.3	0.4	0.75
Excavator working pressure	bar	100/120	100/120	100/120	100/120	200/220
Rotation oil flow capacity	l/min	20/30	30/50	30/50	50/70	40/80
	rpm	24/32	18/24	18/24	18/24	18/35

Models		BVR14E	BVR15E	BVR19E	BVR25E
Carrier weight	t	16-23	21-33	30-45	40-65
Weight	kg	1570	1810	2550	4900
A	mm	2190	2250	2600	2950
B	mm	1650	1890	2000	2410
C	mm	925	980	1040	1360
D	mm	1340	1560	1700	2000
L	mm	1400	1600	1750	2100
Cap. SAE	m ³	1.7	2.1	2.8	5.3
	m ³	0.9	1.1	1.5	2.7
Excavator working pressure	bar	200/220	200/220	200/220	200/220
Rotation oil flow capacity	l/min	40/80	40/80	40/80	40/80
	rpm	18/35	18/35	18/35	18/27

*All illustrations and numerical data in this catalog are purely indicative and subject to change at our discretion and without notice. We therefore reserve the right to modify them with a view to improving and continuously developing our product.

SCREENING BUCKET

for excavators from 3 to 14 ton



[Find out more](#)



Recycle and save!

- Safety valve
It protects the engine against the pressure peaks occurring during the working cycles.
- Shaft system
All knives are made of HB400.
Different shaft configurations realized upon request
- Patented shaft replacement system
Thanks to the patented system, it is possible to replace shafts rapidly and modify the sieved material size, without intervening on transmission.



OPTIONAL

- DC Teeth and DTE Teeth.
- Flow reversal valve kit.
It makes the hydraulic flow bi-directional allowing to use the screening buckets with mono-directional system machines.
- Flowrate reducers.
Advised for machines with oilflow higher than 70 l/min.

V SERIES

Application Fields



Mining & Quarrying



Demolition & Renovation



Construction

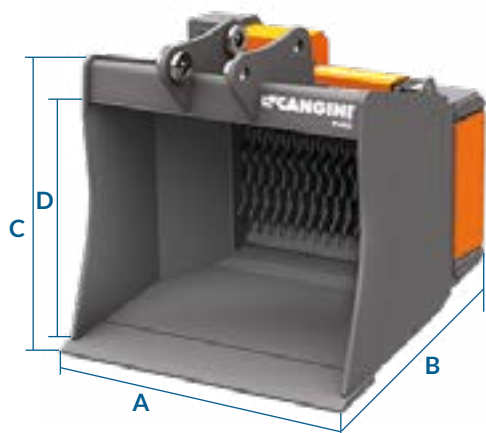


Metallurgical Industry



Recycling

TECHNICAL DRAWING



Models		V400	V600
Carrier weight	t	3-5	5-7.5
Weight	kg	430	600
Weight w/o Coupler	kg	240	310
A	mm	900	900
B	mm	800	940
C	mm	660	795
D	mm	570	710
Thickness diameter	mm	0/20-0/35	0/20-0/35
Oil flowrate	l/min	40-70	40-70
Shafts	N.	2	3
Max capacity allowed	l	125	195

Models		V1000	V1200
Carrier weight	t	7.5-10	10-14
Weight	kg	1000	1410
Weight w/o Coupler	kg	520	750
A	mm	1000	1200
B	mm	1050	1100
C	mm	930	1070
D	mm	850	990
Thickness diameter	mm	0/20-0/35	0/20-0/35
Oil flowrate	l/min	60-90	80-130
Shafts	N.	3	3
Max capacity allowed	l	320	440



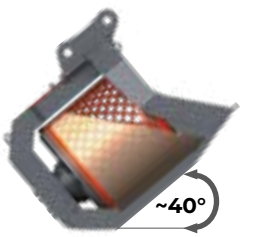
**All illustrations and numerical data in this catalog are purely indicative and subject to change at our discretion and without notice. We therefore reserve the right to modify them with a view to improving and continuously developing our product.*

MULTISCREENING BUCKET

for excavators from 5 to 35 ton



[Find out more](#)



The hydraulically controlled in-cab hydraulic particle size variation system allows the screen size to be varied from 25 to 65 mm, without the need to change any mechanical components, with significant time savings.

Recycle and save!

- **HB400 Drums**
The drums can afford high work rates thanks to their highly resistant material that extends their service life.
- **Automatic screening system**
The new rotary double drum concept with hydraulic control from the cab allows to select the material size, from 25 to 60 mm (1 - 2.4 in) and up to 65 mm (2.5 in) for the VMS20-VMS30,
- Without stopping the work cycle.



OPTIONAL

- **DC Teeth and DTE Teeth**
- **6-Way solenoid valve kit**
It allows both the rotating and the hydraulic sliding movements of the sieves on machines with single and double-effect line.
Control kit with magnets to easily put it inside the cab.



VMS SERIES

Application Fields



Mining & Quarrying



Demolition & Renovation



Construction

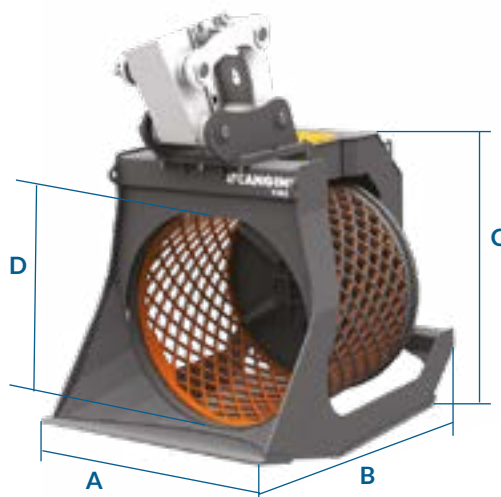


Metallurgical Industry



Recycling

TECHNICAL DRAWING



Models		VMS7	VMS10	Models		VMS14	VMS20	VMS30
Carrier weight	t	5-7.5	7.5-10	Carrier weight	t	10-14	14-25	25-35
Weight	kg	570	750	Weight	kg	1100	2235	4990
Weight w/o Coupler	kg	372	434	Weight w/o Coupler	kg	640	1092	2300
A	mm	800	900	A	mm	1000	1250	1800
B	mm	1200	1400	B	mm	1550	1800	2300
C	mm	930	1000	C	mm	1120	1500	1950
D	mm	650	760	D	mm	870	1124	1550
Thickness diameter Min.	mm	25	25	Thickness diameter Min.	mm	25	25	25
Thickness diameter Max.	mm	60	60	Thickness diameter Max.	mm	60	65	65
Oil flowrate Min.	l/min	15	15	Oil flowrate Min.	l/min	30	30	30
Oil flowrate Max.	l/min	80	80	Oil flowrate Max.	l/min	150	150	150
Pressure	bar	350	350	Pressure	bar	350	350	350
Max capacity allowed	l	180	290	Max capacity allowed	l	420	980	2390

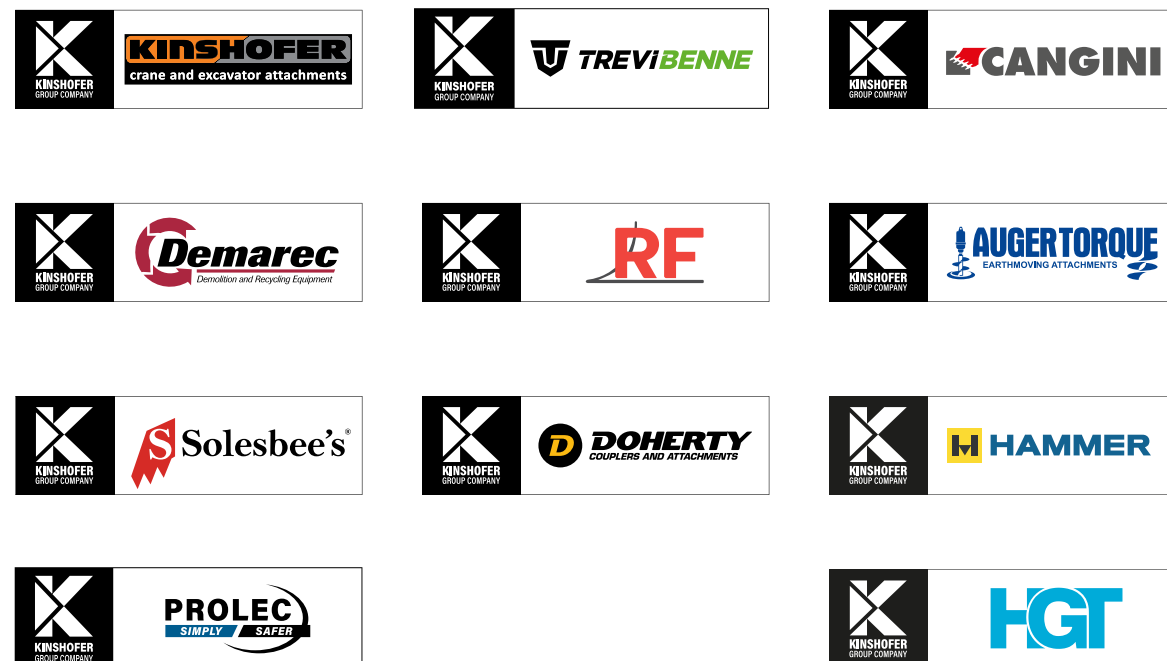


**All illustrations and numerical data in this catalog are purely indicative and subject to change at our discretion and without notice. We therefore reserve the right to modify them with a view to improving and continuously developing our product.*

19 COMPANIES AND 11 BRANDS



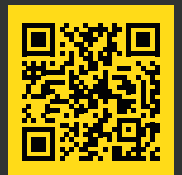
WITH
OUR PASSION
 ALWAYS
 AT YOUR
 SERVICE



2024v3



VISIT OUR WEBSITE ◀



HAMMER S.R.L.

Via Oleificidell'Italia Meridionale, Lotto G1 Z.I.

70056, Molfetta BA, Italy

info@hammer europe.com

T. +39 080 337 53 17

