

Linear axis CTL

The compact servo axis - everything integrated

- ✓ Load capacity up to 1000N
- ✓ Speeds up to 600mm/s
- ✓ Feed forces up to 800N



IO-Link

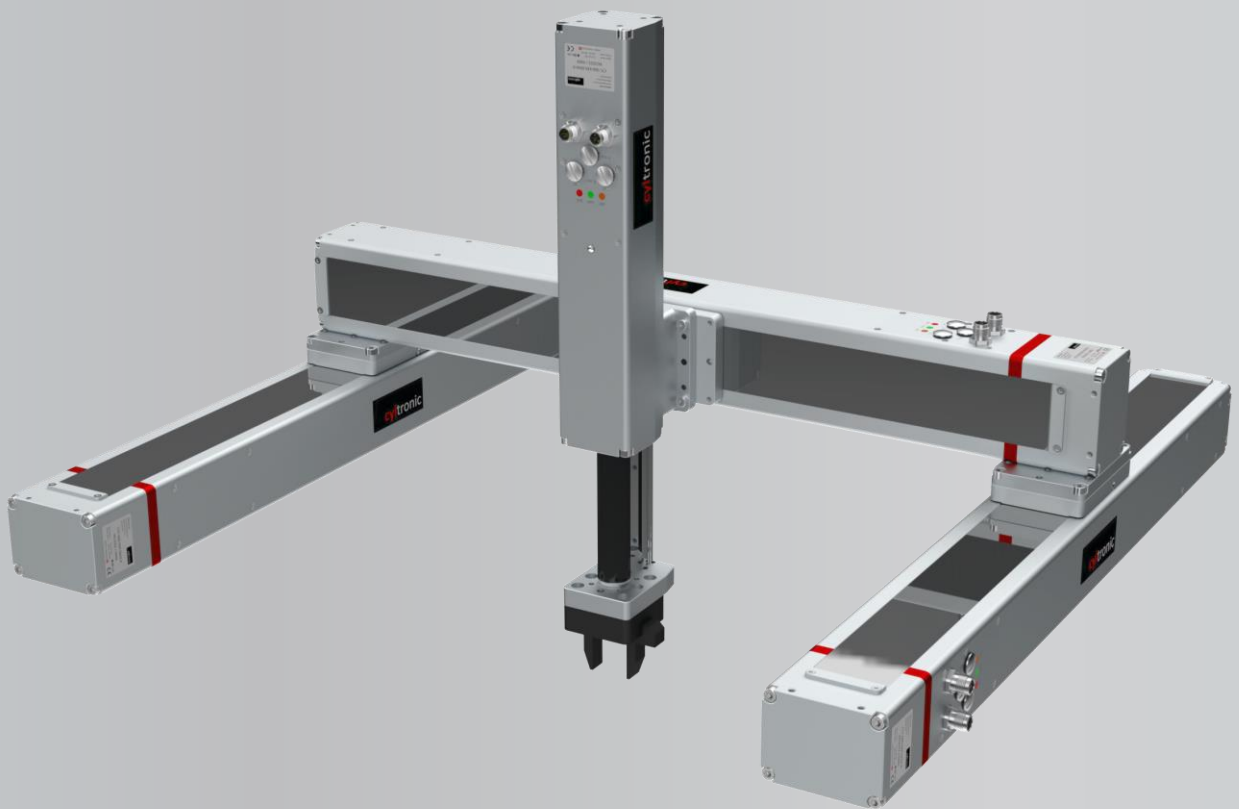


www.cyltronic.ch

flexibility in motion

Linear axis CTL

thousands of possible applications
one solution



For more information:

