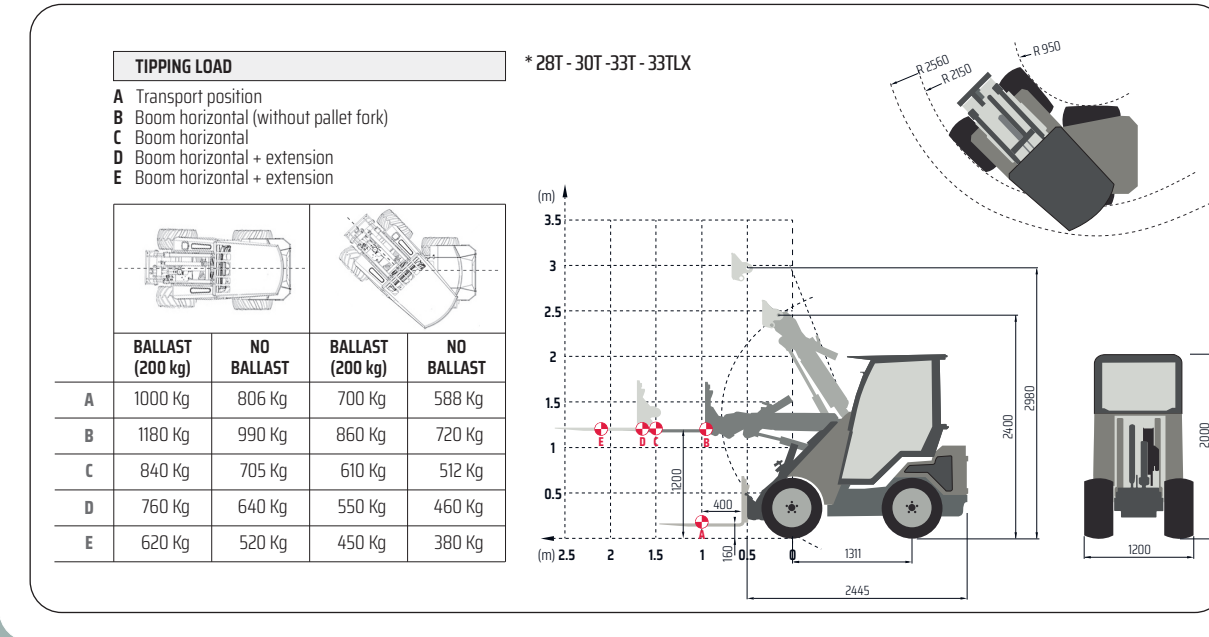


# CASTLOADERS

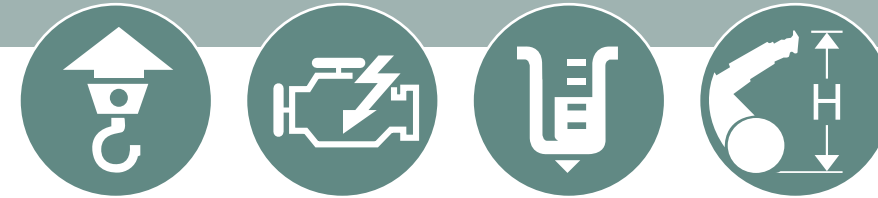


## LOADING DIAGRAMS\*



## WHEELS

SKID	ALL-TRAC	TRACTOR	TURF
23X8.50-12 23X10.50-12 26X12.00-12	8PR 300/60X12	23X8.50-12 23X10.50-12 26X12.00-12	23X8.50-12 23X10.50-12 24X13.00-12 26X12.00-12 26.5X14.00-12



\* with counterweights

<input type="checkbox"/> CAST 28T	1180 kg [B]*	26 HP @ 3000 rpm	42 l/min	2945 mm
<input type="checkbox"/> CAST 30T	1180 kg [B]*	26 HP @ 3000 rpm	45 l/min	2945 mm
<input type="checkbox"/> CAST 30T CARBON / FOREST	1180 kg [B]*	26 HP @ 3000 rpm	45 l/min	2945 mm
<input type="checkbox"/> CAST 33T	1180 kg [B]*	26 HP @ 3000 rpm	46 l/min	2980 mm
<input type="checkbox"/> CAST 33TLX	1180 kg [B]*	26 HP @ 3000 rpm	46 l/min	2980 mm
<input type="checkbox"/> CAST 33TLX CARBON DUAL SPEED	1180 kg [B]*	26 HP @ 3000 rpm	46 l/min	2980 mm



**CASTGROUP**

CAST GROUP S.r.l.  
 Via A. Meucci, 18 30035 Mirano VE Italia  
 ph.+39 041 5701827- fax +39 041 5726786  
 info@cast-group.it | www.cast-group.it



PL-30 series\_EN\_01/2023 - A000000002

Data contained in this document is subject to change without notice and/or modification. Cast Group reserves the right to modify its products without obligation to communications. The images in this document are only a demonstrative purpose.



# 30 SERIES

- CAST 28T
- CAST 30T
- CAST 30T CARBON / FOREST
- CAST 33T
- CAST 33TLX
- CAST 33TLX CARBON DUAL SPEED

**CASTLOADERS.IT**

# 30 SERIES



Electronic display with warning lights indicating faults, engine, hydraulic oil gauge, and electric floating system.



Double-pump for a better performance, operating speed, comfort and fluidity of use.



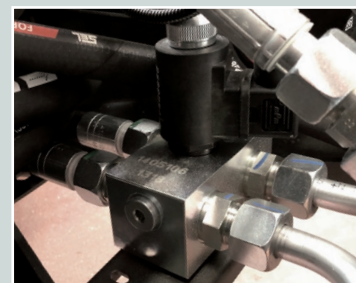
5-function joystick is standard. 11-function is standard on LX model. Ergonomic 11-function Joystick is standard on Carbon.



Telescopic boom height up to 2980mm, the highest of its line.



Maximum speed :  
12 Km/h (mod. LX, Poclairn Single Speed).  
20 Km/h (mod. LX Carbon, Poclairn Dual Speed).



Electric differential lock is standard on all models.

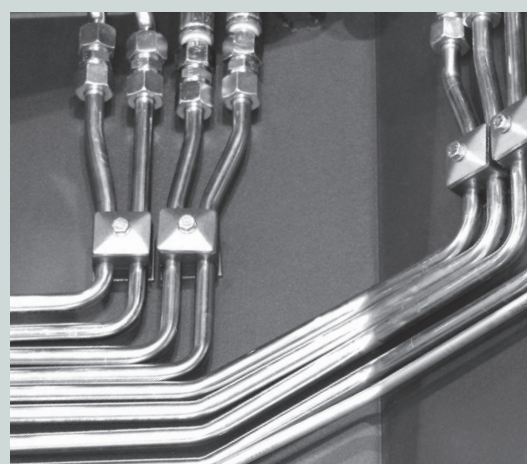


Details make the difference.

# RPS >>>>

RPS (Rigid Pipe System) is the hydraulic piping distribution system used on the whole 30 Series.

The rigid pipes are made of the highest quality materials and guarantee an extraordinary resistance to wear and tear. They are arranged in an orderly manner and are easily accessible for maintenance.



30 Series Castloaders represents technology and innovation in the field of multifunctional loaders. Technical features make the difference and stand out to the advantage of improved performance, easiness of use and reduced maintenance.

The new rear hydraulic outlets are easily accessible. There is the possibility to add the hydraulic flow divider, typical of big municipal machinery, which allows to work simultaneously with front and rear equipment.

The controls of the hydraulic pumps are at hand and well arranged.

Up to 46 liters of oil are available for the functioning of hydraulic equipment, mulchers, lawnmowers, bigger tillers.

## 30 series Technical specifications

### Engine data (Standard)

	28T	30T	30T CARBON / FOREST	33T	33TLX	33TLX CARBON DUAL
Manufacturer: Kubota	✓	✓	✓	✓	✓	✓
Diesel engine type	D1105	D1105	D1105	D1305	D1305	D1305
Cylinders	3	3	3	3	3	3
kW	18,7	18,7	18,7	21,7	21,7	21,7
Displacement cc	1123	1123	1123	1261	1261	1261
Cooling system: Water	✓	✓	✓	✓	✓	✓
Emissions standard level	#	#	#	III A	III A	III A
RPM	3000	3000	3000	3000	3000	3000

### Electrical system

Operating voltage: 12 V	✓	✓	✓	✓	✓	✓
Alternator: 40 (65) A	✓	✓	✓	✓	✓	✓

### Weights

Weight (standard) kg	1250	1270	1365	1300	1395	1450
Lifting capacity kg [B]*	1180	1180	1180	1180	1180	1180
Max Pull force kg	800	800	800	880	800	1000
Breakout force kg*	1150	1150	1150	1150	1150	1150

### Vehicle data

Joystick (11- function)	OPT	OPT	OPT	OPT	STD	ERGO
Cab (optional)	✓	✓	✓	✓	✓	✓
Electric differential lock	✓	✓	✓	✓	✓	✓
Rops/Fops protection	✓	✓	✓	✓	✓	✓
Telescopic boom	✓	✓	✓	✓	✓	✓
Selflevelling	OPT	✓	✓	✓	✓	✓
Speed km/h	12	14	14	16	12	9÷20
Fuel tank capacity: 28 l	✓	✓	✓	✓	✓	✓
Hydraulic oil tank capacity: 30 l	✓	✓	✓	✓	✓	✓

### Drive

Type of drive: Direct Drive 4WD Hydrostatic transmission	✓	✓	✓	✓	✓	✓
Traction drive	✓	✓	✓	✓	✓	✓

### Noise values

Average sound power level: LwA 99 dB(A)	✓	✓	✓	✓	✓	✓
Guaranteed sound power level: LwA 101 dB(A)	✓	✓	✓	✓	✓	✓

### Wheels

Tractor	23x10.50-12	26x12.00-12	26x12.00-12	26x12.00-12	26x12.00-12	26x12.00-12
---------	-------------	-------------	-------------	-------------	-------------	-------------

\* with counterweights

