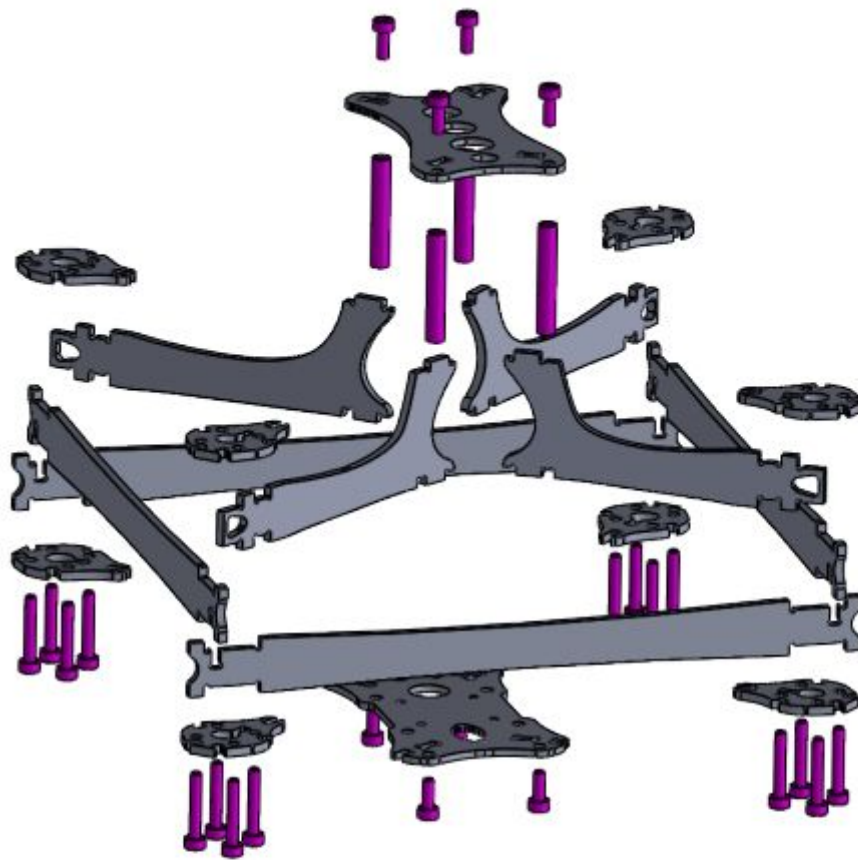
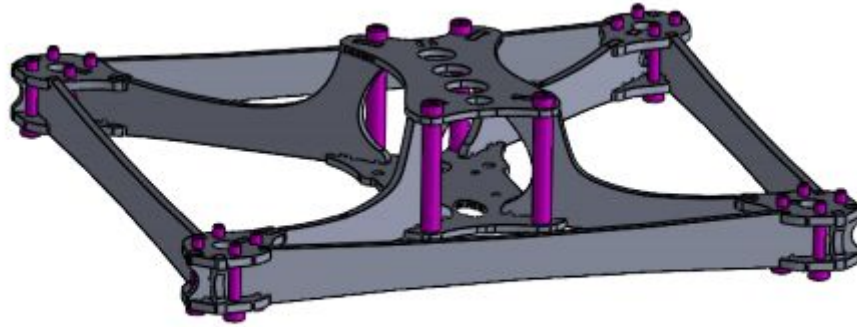


Singularitum v5



PROJECT:

SINGULARITUM

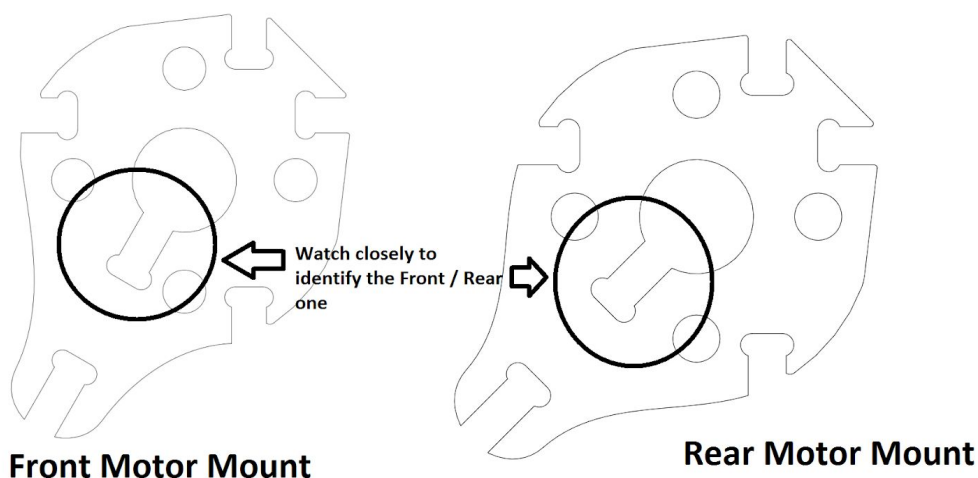
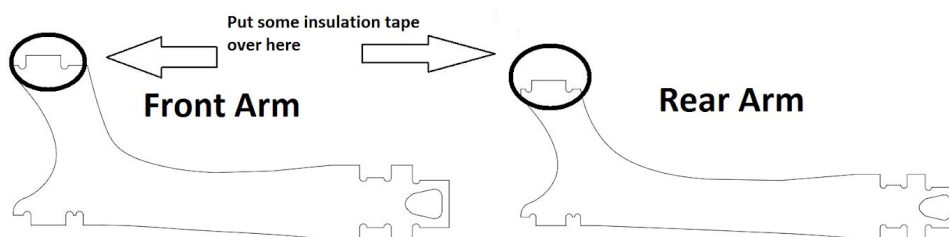


3d Prints:

<https://www.thingiverse.com/search?q=Singularitum>

Vertical frames do need some special treatment. This should help you to have the best possible experience.

- The fitting of the carbon joints is pretty tight and it should be. If needed use a plier to make them fit for the first time.
- Still, you should add a little piece of tape at the joints between arm and corpus. Once finished building the hole copter has to feel like one piece. This is very important, you should not feel any movement within the frame.



- Use all 4 Motor screws per Motor and 30mm spacers for the corpus.
- After you've finished building turn off or reduce your filters. Vertical frames can get away with a lot less filtering which makes your copter feeling more connected. The FC will need to do less work because of less noise, which translates into a faster acceleration and better topspeed.

If you have any Feedback please feel free to contact me via Mail hschenk@outlook.com

Have fun with that very special piece of Frame :)