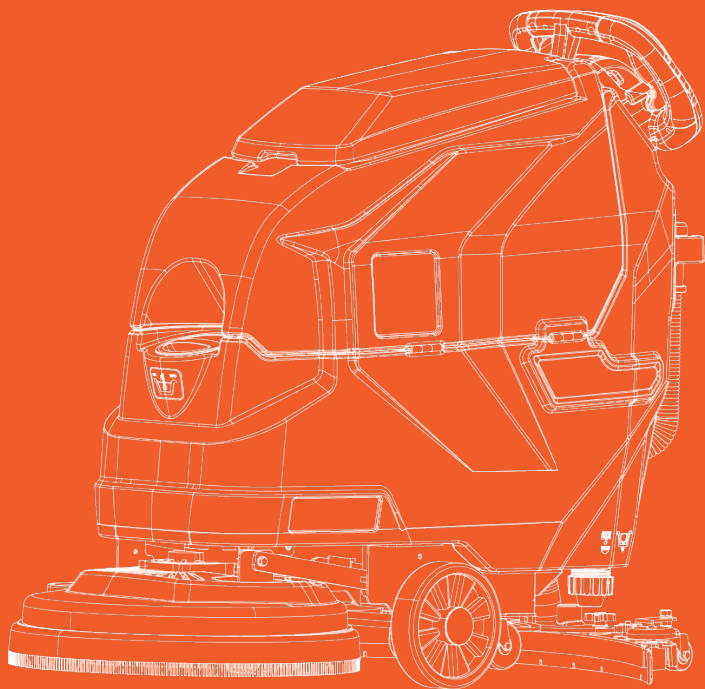




DAEWOO
POWER PRODUCTS

DSD600

FLOOR SCRUBBER



USER'S MANUAL

www.daewoopowerproducts.com

Manufactured under license of Daewoo International Corporation, Korea

INDEX

1. PRECAUTIONS.....	3
2. RECEIVING MACHINE	5
3. MACHINE CLEANING METHOD	7
4. MACHINE INSTALLATION	8
5. INSTALL BRUSH/SCOURING PAD	8
6. MACHINE OPERATION	9
7. MACHINE MAINTENANCE	13
8. TECHNICAL DATA	16
9. EXPLODED VIEW AND LIST PARTS	17
WARRANTY	

**IMPORTANT
READ CAREFULLY BEFORE USE
KEEP FOR FUTURE REFERENCE**


This manual provides necessary machine operation and maintenance instructions. Please read and understand this manual carefully before operating or using this machine. When ordering replacement parts, refer to the parts manual that came with your machine. Before selecting parts or accessories, please confirm your machine model and serial number.

1. PRECAUTIONS


This machine is suitable for industrial and commercial purposes. It is specially used for cleaning floors and cannot be used for other purposes. Always use a suitable scouring pad or brush and a cleaning agent suitable for this machine. All operators must read, understand and comply with the following safety precautions.

The following describes the safety warning symbols and the heading “For Safety” used in this manual:

 WARNING: Used to warn of a risk or unsafe operation that could result in serious personal injury or death.

 For safety reasons: Indicates things that must be observed when using the machine to ensure safety.


Failure to observe the following warnings may result in: personal injury, electric shock, fire, or explosion.

 WARNING: Fire or explosion hazard. Do not use flammable liquids. Never operate the machine near or in the presence of flammable liquids, gases or combustible dusts.

This machine is not equipped with an explosion-proof motor. If this machine is used in a place with flammable gases, liquids or flammable ashes, the electric motor will produce sparks during startup and operation, which may cause a flash fire or explosion.

- Do not pick up flammable materials or reactive metals.
- The battery releases hydrogen gas. Please keep away from sparks or open fire sources.

Keep the battery compartment open when charging.

 WARNING: There is a risk of electric shock. Please disconnect the battery wiring before servicing the machine.

 WARNING: Keep your hands away while the rotating brush is running. Please turn off the power before servicing the machine.

The following information identifies situations that may be potentially hazardous to operators or equipment:

 For safety reasons:

1- Do not operate the machine:

- When in contact with flammable liquids or near flammable gases, an explosion or flash fire may occur.
- Unless trained and authorized to operate the machine.
- Unless the operating manual has been read and understood.
- Unless operated correctly.

2- Before starting the machine:

- Please make sure all safety devices are in place and operating correctly.
- Operators must read and understand the instructions or receive professional skills training before operating the floor washing machine.

3- When using the machine:

- Please walk slowly when encountering slopes and slippery surfaces.
- Wear non-slip shoes.
- Please slow down when turning.
- Machine damage or malfunction should be reported immediately.
- Never let children play on or near the machine.
- Follow mixing ratio and handling instructions on chemical containers.

4- Before leaving or servicing machine:

- Park the machine on a stable surface.
- Turn off the machine power.

5-When servicing the machine:

- Avoid moving parts and do not wear loose tops, shirts or sleeves.
- Before operating the machine, please disconnect the battery wiring.
- Wear protective gloves and eye protection when handling batteries or battery wiring.
- Avoid contact with battery fluid acid.
- Do not use high-pressure sprays or water hoses to flush the machine.
- Use manufacturer-supplied or approved replacement parts.
- All repairs must be performed by qualified service personnel.
- Do not modify the original design of the machine.

6-When moving the machine:

- Please turn off the machine.
- Do not transport the machine with the battery installed.
- Please get help from others to move the machine.
- When loading and unloading the machine from a truck or trailer, use a level loading platform.
- Use ropes to secure the machine to the truck or trailer.
- Lower the brush head to the lowered position.

2. RECEIVING MACHINE

Unpack the machine

1- Please carefully check whether the machine packaging box is damaged, and if there is any damage, report it to the freight forwarder immediately.

2- Check that the shipment contents are clear(Included in the machine).

What's included:

2 pieces of 12v batteries.

1 piece of 24v battery charger.

1 set of battery cable

1 pair of absorbent squeegees.

1 piece of brush.

Other accessories-purchased separately.

3- Before unpacking the machine, please remove the shipping fasteners and ropes that secure the machine to the warehouse. With the help of others, carefully unload the machine from the pallet.

Notice :If the loading and unloading platform is not used, do not push the machine directly to avoid damage to the machine.

Notice :To avoid damage to the machine, please remove the machine from the warehouse before installing the battery.

Install battery

⚠ WARNING: Fire or explosion hazard. The battery releases hydrogen gas. Keep away from sparks or open fire sources. Keep the battery cap open when charging.

⚠ For safety reasons: When servicing the machine, wear protective gloves and eye protection when handling the battery and battery wiring. Avoid contact with battery fluid acid.

1. Park the machine on level ground and remove the key.
2. Lift the recovery tank to expose the accessible battery.
3. Carefully install the battery in the battery compartment and connect the battery cables as shown in the figure below.
4. Before connecting the battery, please make sure the electrodes and terminals are clean, and use electrode cleaning fluid and wire brush if necessary.
5. Instructions: Apply a thin layer of metal-free lubricant or protective spray to the connected wiring to prevent battery corrosion.
6. After the battery is installed, please check the battery level on the battery gauge and charge the battery if necessary.

3. MACHINE CLEANING METHOD

Cleaning method

Manually control the water valve to adjust the amount of water from the clean water tank and detergent to the ground; the brush uses a solution of detergent and water to clean the floor; while the machine is moving forward, use a squeegee to suck the sewage on the floor into the sewage tank.

Brushes and scouring pads

To ensure optimal performance, use the correct brush type for the cleaning job.

Recommended brushes and scouring pads are as follows:

- Soft nylon brush: Recommended for cleaning coated floors without damaging the floor, cleaning without leaving scratches.
- Polishing pad: For maintenance of highly glossy or polished

floors.

- Cushion pad:Used to scrub light dirt without damaging the floor.
- Gravity folding pad:For powerful removal of heavy coatings or substrates, or for extrapowerful scrubbing.

4. MACHINE INSTALLATION

Attaching the squeegee assembly

- 1.Park the machine on level ground and remove the key.
- 2.Lower the squeegee lift lever to the lower position.
- 3.As shown in the figure, install the squeegee onto the squeegee mounting bracket. Be sure to fully insert the tightening knob into the socket before tightening the knob.
- 4.Connect the vacuum suction pipe to the squeegee assembly and make a secure connection.
- 5.Check the squeegee blade and make appropriate adjustments.

5. INSTALL BRUSH/SCOURING PAD

Illustrate: For recommended brushes and scouring pads, please refer to the “Brush and scouring pad information” in this manual. Or contact your local authorized dealer.

- 1.Park the machine on level ground and remove the key.
- 2.Press the brush head lift pedal to lift the brush head off the ground.
- 3.First place the scouring pad on the needle seat, then install the drive plate, and tighten the central lock to secure the scouring pad.
- 4.Align the needle holder/brush mounting pin and insert it into the motor drive plate buckle, and press the brush plate motor switch.

5. To remove the needle holder and brush, step on the brush head lifting pedal to lift the brush head off the ground, and press the brush plate motor switch.

6. MACHINE OPERATION

For safety: Do not operate the machine without reading and understanding the operating manual.

WARNING:

1. Fire or explosion hazard. Never operate the machine near or in the presence of flammable liquids, gases or combustible dusts.
2. When using equipment in low-temperature environments (subzero), be careful to prevent freezing.

Check before operation

- Sweep the dust from the floor.
- Check the battery level on the battery gauge. (Refer to the battery gauge)
- Check the pad/brush for wear.
- Check the wear of the squeegee rubber strip and adjust the angle appropriately.
- Make sure the recovery tank is empty and has a clean floating filter installed.
- Check the brush head's water-retaining skirt for wear.

Operate machinery

1. Turn the main power key to the (I) position.
2. Pull down the squeegee lifting handle to lower the squeegee assembly to the ground.
3. Press the brush lift pedal to lower the brush tray to the ground.
4. Use the water control button to adjust the appropriate amount of

water.

5. Press the brush plate motor switch, and then press the suction motor switch.

Note: It is recommended to use a cleaning speed of 45-60 meters per minute.

During machine operation

⚠ WARNING: Fire or explosion hazard, do not pick up flammable materials or reactive metals.

1. Each cleaning path overlaps by 5 cm.
2. Keep the machine moving to avoid damaging the ground.
3. If there are drag marks on the floor after the squeegee absorbs water, use a rag to wipe the adhesive strip to remove the garbage and clean it in advance to prevent drag marks.
4. Do not operate the machine on slopes with a slope exceeding 5% (3°).

⚠ For safety : When using the machine, move slowly on slopes and slippery surfaces.

5. If there is too much foam, defoamer must be used and the original solution of defoamer must be poured into the sewage tank.

Note: Do not let foam enter the filter to avoid damaging the vacuum suction motor. The foam will cause the filter switch to fail.

6. Use the double wash method to clean extremely soiled areas.
7. First raise the squeegee to clean, let the solution soak the floor for 3-5 minutes, lower the squeegee and clean again.
8. Replace brushes or scouring pads as necessary (bristle shorter

than 2cm must be replaced).

9.Observe the power consumption on the battery power meter (refer to “Battery Power Meter”).

10.Check the remaining liquid volume through the clean water tank level gauge. The traditional floor scrubbing method uses about 10 liters every 10 minutes.

11.When the solution in the clean water tank is used up, first empty the sewage tank to discharge the sewage, and then refill the clean water and detergent.

12.When workers leave the machine, park the machine on level ground and remove the key.

13.After cleaning, perform daily maintenance procedures.

Battery power display

The display will show the battery level. When the battery is fully charged, all indicators light up;As the power is consumed, the indicator lights will turn off from right to left; if the battery power falls below a certain level, an alarm will appear to prompt for charging.

Water tank drainage

The sewage tank should be drained and cleaned after each use, and the clean water tank should be cleaned regularly.Move the machine to a drainage location and turn off the power key, follow the drain instructions below to drain the water, and throw out the waste from the solid-liquid separation basket.

Discharge sewage tank

1.Unscrew the sewage tank drain pipe cover in the counterclockwise direction and remove it.

2.Open the recovery tank cover and flush the tank.

3.Remove and rinse the floating filter in the recovery tank.

4.Take out the solid-liquid separation basket, dump the garbage,

and keep the solid-liquid separation basket clean.

Battery charging

Note: In order to extend the life of the battery and ensure the best performance of the machine, the battery must be charged after the machine has been used for at least 30 minutes. Do not leave the battery uncharged for a long time. The following charging instructions apply to this product.

Please be sure to use the charger with the following specifications for the charger provided with the machine to avoid battery damage.

Battery charger specifications:

- Charger type - lead-acid battery charger
- Output voltage - 24V
- Output current - 15A
- Automatic power off circuit
- Suitable for deep cycle battery charging
- Move the machine to a well-ventilated area to charge.

WARNING:

1. Fire or explosion hazard. The battery releases hydrogen gas. Please keep away from sparks or open fire sources. The battery compartment must be kept open when charging.
2. Park the machine on level ground and turn the key to the off position.
3. Before charging, check the electrolyte level in each battery unit. For safety: When servicing the machine, please wear protective gloves and eye protection when handling the battery and battery wiring.

Avoid contact with battery fluid acid.

4. When charging, please open the waste water tank sideways to

facilitate ventilation.

5.Plug the charger's AC (alternating current) power cord into a well-grounded electrical outlet.

6.Plug the charger's DC (direct current) cord into the battery charging socket behind the recovery tank.

7.The charger will automatically start charging and will automatically turn off when fully charged.

8.The charging time must be guaranteed to be 12 hours. If the device is not used for a long time, the battery must be charged in time. Recharge every 20 days.

Illustrate: The machine will not operate when connected to the charger.

Notice:While the charger is charging, do not unplug the charger's DC cord from the socket on the machine to avoid arc discharge. If charging must be suspended during charging, please unplug the AC power cord first.

WARNING:Fire or explosion hazard. The battery releases hydrogen gas. Please keep away from sparks or open fire sources. Keep the battery compartment open when charging.

9.After charging is completed, check the electrolyte level again.


7. MACHINE MAINTENANCE

As long as daily, weekly and monthly maintenance procedures are followed, the machine can be kept in optimal working condition.

⚠ WARNING:Risk of electric shock. Please disconnect the battery wiring before maintaining the machine.

Daily maintenance after each use

1. Drain and clean the sewage tank and discard the waste from the solid-liquid separation basket.
2. Remove and rinse the floating filter located in the recovery tank.
3. Drain the clean water tank and, if necessary, flush the tank with hot water no higher than 60 degrees Celsius.
4. Remove the scouring pad/brush for cleaning. If worn, flip or replace the scouring pad.
5. Wipe the squeegee strip and place the squeegee assembly in the raised position to prevent damage to the strip.
6. Check the wear condition of the edge of the squeegee blade. If there is any wear, swap the two ends of the blade or replace the blade.
7. Use an all-purpose cleaner and a damp cloth to wipe down the machine.

 For safety : When cleaning the machine, do not use high-pressure sprays or water hoses to flush the machine to avoid failure of electronic parts.

8. Check the brush skirt for wear and replace if worn or damaged.
9. Charging the battery: In order to extend the service life of the battery and ensure the best performance of the machine, the battery must be charged after the machine has been used for more than 30 minutes.

Monthly maintenance (every 80 hours of use)

1. Remove the solution tank filter from under the machine and clean the filter, making sure to empty the solution tank before removing the filter.
2. Clean the top of the battery to prevent electrode corrosion (refer to “Battery Maintenance”).

3. Check if the battery wiring is loose.
4. Check and clean the sewage tank cover seal and replace it if damaged.
5. Spray silicone dry lubricant on all pivots and rollers, and then cover them with a layer of waterproof lubricant to maintain smooth operation of the axles.
6. Check whether the nuts and bolts on the machine are loose.
7. Check the machine for leaks.

Quarterly maintenance

Check the carbon brush wear of the drive motor (drive model), vacuum motor and brush motor every 250 hours.

When the length of the carbon brush is worn within 10 mm, the carbon brush needs to be replaced. If the machine needs to be sent for repair, please contact the authorized service center.

⚠ WARNING: There is a risk of electric shock. Please disconnect the battery wiring before servicing the machine.

Handling machine

When moving the machine using a truck or trailer, be sure to follow the following tie-down procedures:

1. Raise brush into transport position.
2. Use a professional loading pad to load the machine.
3. Place the front of the machine against the front of the truck or trailer. Once the machine is in place, lower the brush head and turn the key to the off position.
4. Place a barrier behind each drive wheel to prevent the machine from sliding.
5. Use ropes to secure the top of the machine to prevent it from tipping. You must install brackets on the bed of your truck or trailer.

Storage machine

Please charge the battery before storage. Do not store when the battery is exhausted.

1. Thoroughly drain and rinse the clean and sewage tanks.
2. Store the machine in a dry place with the brush head in the raised position.
3. Open the sewage tank cover to facilitate ventilation. Note: Do not expose the machine to rain and store it indoors.
4. If the machine is stored in a cold environment, drain all liquids inside the machine.

8. TECHNICAL DATA

Battery voltage: 24 V

Power: 550 W

Continuous working time: 4-5 h

Clean water tank: 45 L

Sewage tank capacity: 50 L

Cleaning efficiency: 2500 m²/h

Suction diameter: 830 mm

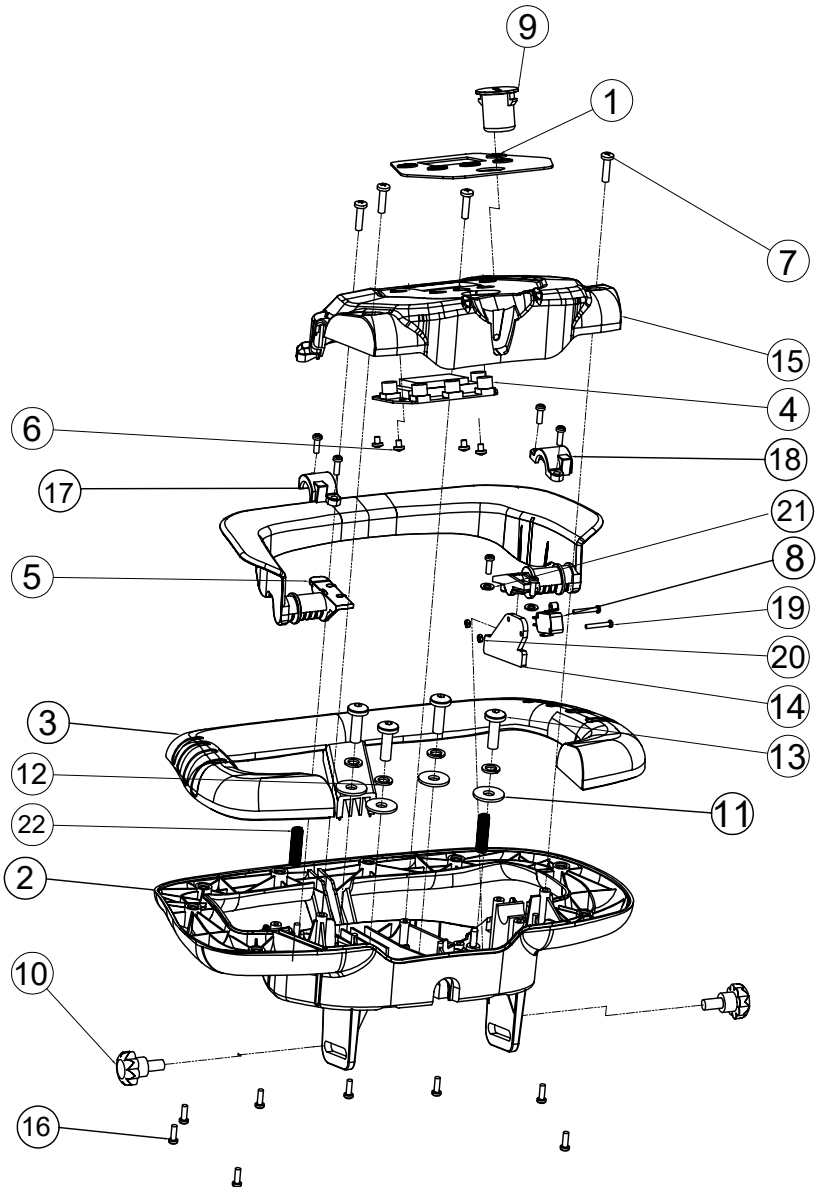
Brush pressure: 30 kg

Suction power: 12 KPa

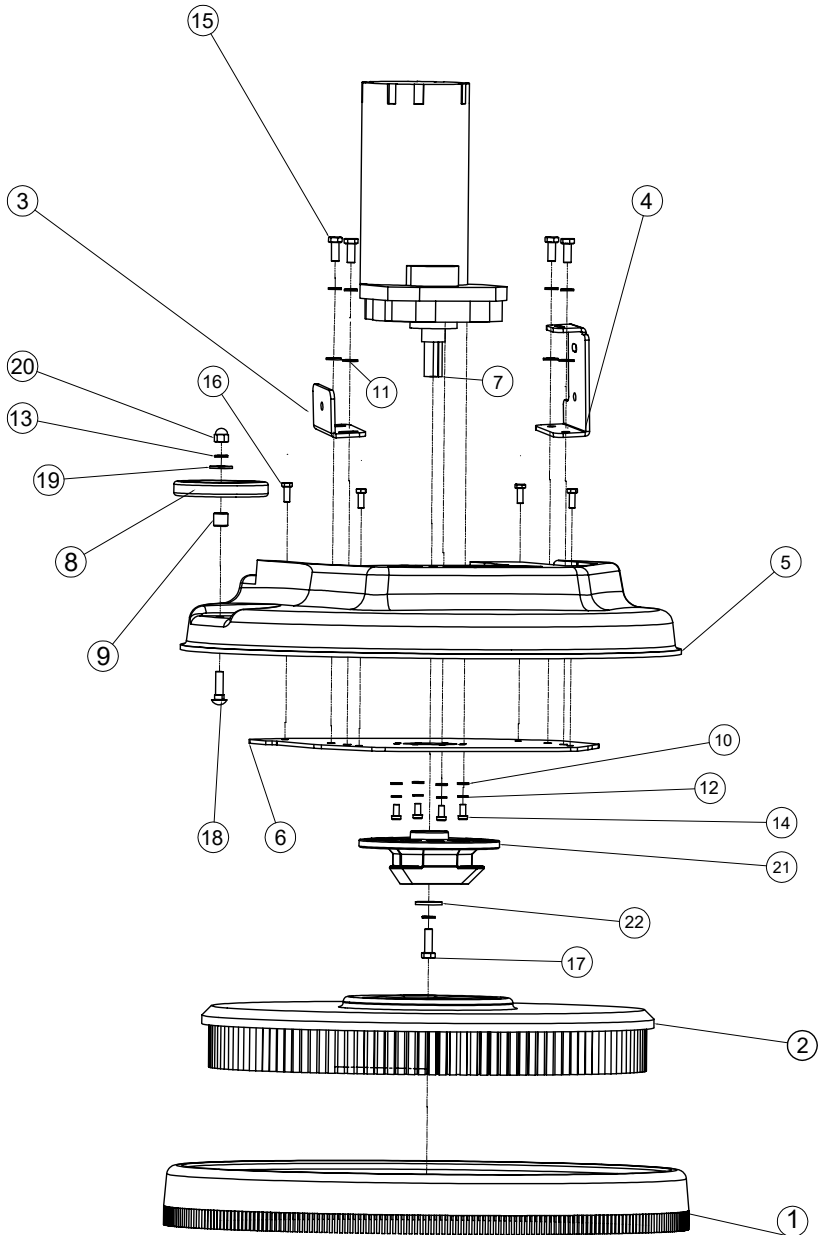
IP degree: IPX4

Weight: 145 kg

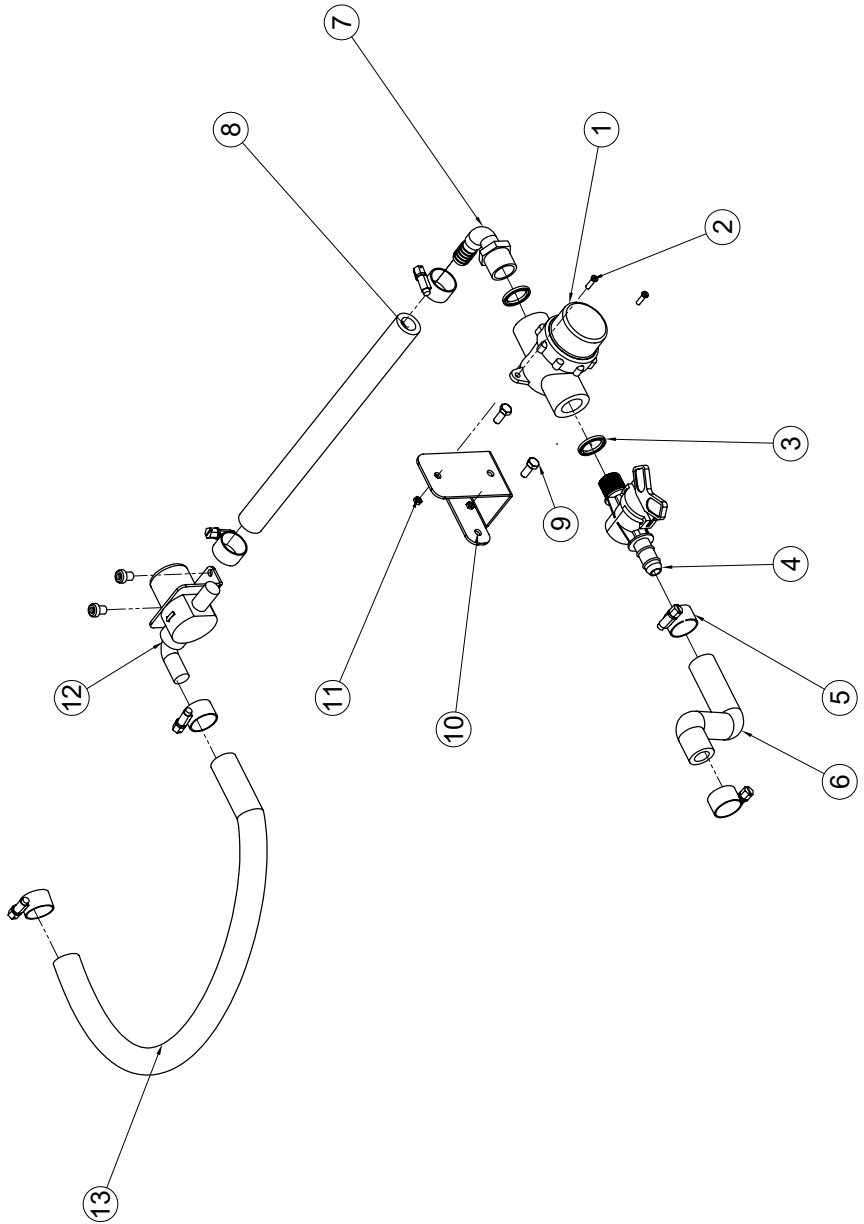
9. EXPLODED VIEW AND LIST PARTS



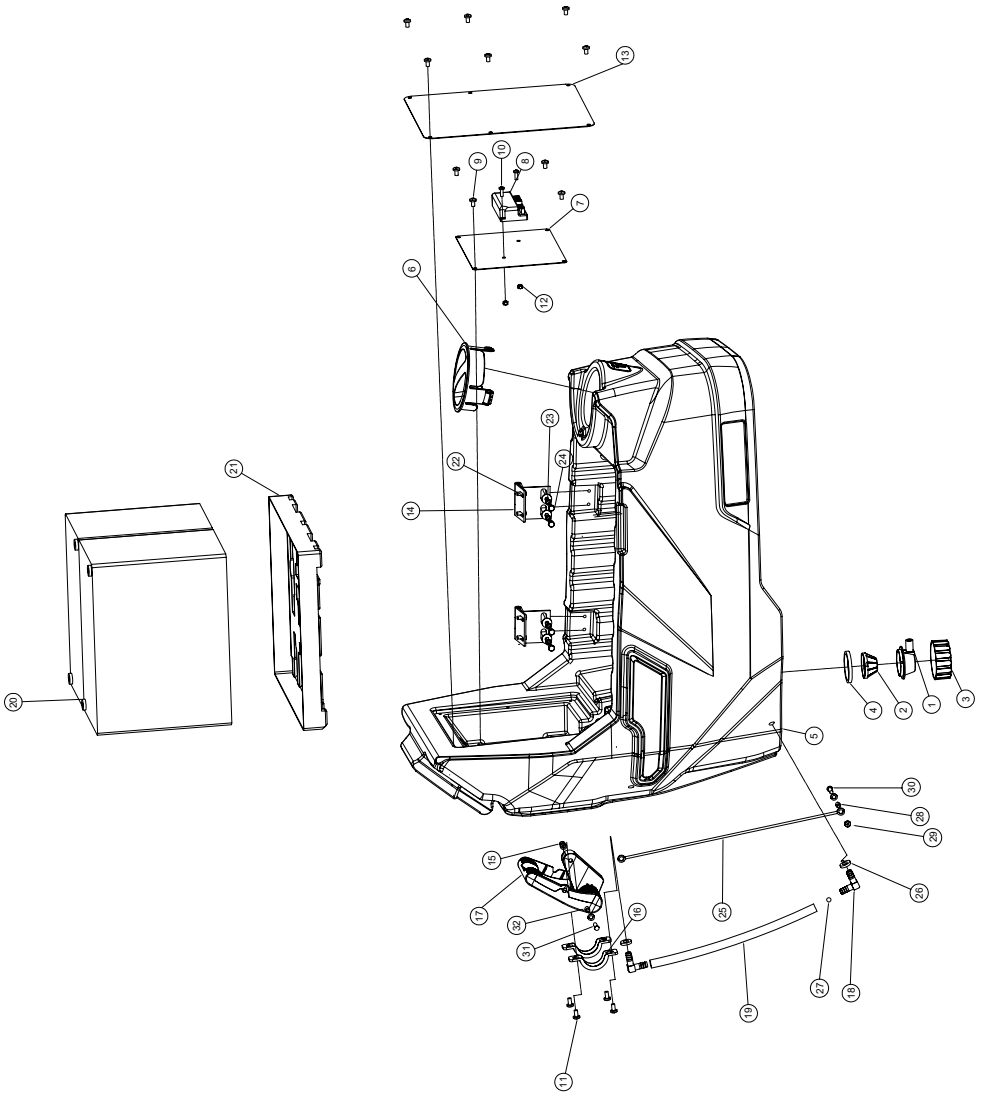
ITEM NO.	DAEWOO PART REFERENCE CODE	PART DESCRIPTIONQ	TY
1	DA09-FB0211-000243-01-001	DISPLAY BOARD STICKERS	1
2	DA09-FB0211-000243-01-002	LOWER HANDLE	1
3	DA09-FB0211-000243-01-003	UPPER HANDLE	1
4	DA09-FB0211-000243-01-004	DISPLAY PANEL	1
5	DA09-FB0211-000243-01-005	HANDLE SWITCH	1
6	DA09-FB0211-000243-01-006	TAP BOLT M3X8	4
7	DA09-FB0211-000243-01-007	TAP BOLT M4X20	4
8	DA09-FB0211-000243-01-008	MICROSWITCH	1
9	DA09-FB0211-000243-01-009	KEY SWITCH	1
10	DA09-FB0211-000243-01-010	ADJUSTING HANDLE	2
11	DA09-FB0211-000243-01-011	FLAT WASHER M8	4
12	DA09-FB0211-000243-01-012	SPRING WASHER M8	4
13	DA09-FB0211-000243-01-013	HEXAGON SOCKET SCREW M8X25	4
14	DA09-FB0211-000243-01-014	MICROSWITCH MOUNTING BASE PLATE	1
15	DA09-FB0211-000243-01-015	DISPLAY PANEL MOUNTING BASEPLATE	1
16	DA09-FB0211-000243-01-016	ROUND HEAD SELF-TAPPING SCREWS M4X14	1 4
17	DA09-FB0211-000243-01-017	SWITCH HANDLE LEFT COVER	1
18	DA09-FB0211-000243-01-018	SWITCH HANDLE RIGHT COVER	1
19	DA09-FB0211-000243-01-019	CROSS ROUND HEAD BOLT M3X20	2
20	DA09-FB0211-000243-01-020	NUT M3	2
21	DA09-FB0211-000243-01-021	FLAT WASHERM5	2
22	DA09-FB0211-000243-01-022	HANDLE PRESS SPRING	2



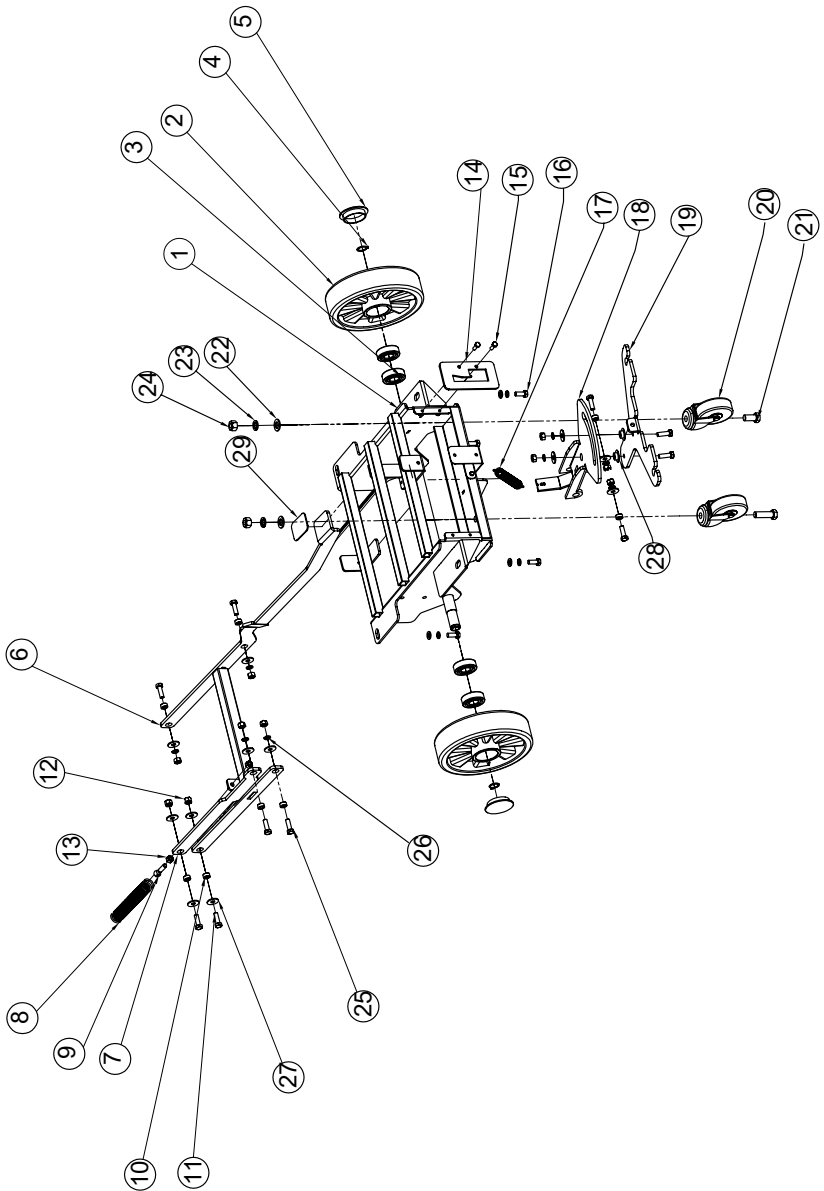
ITEM NO.	DAEWOO PART REFERENCE CODE	PART DESCRIPTIONQ	TY
1	DA09-FB0211-000243-02-023	WATER TRAP	1
2	DA09-FB0211-000243-02-024	DISH BRUSH	1
3	DA09-FB0211-000243-02-025	BRUSH TRAY HOLDER 2	1
4	DA09-FB0211-000243-02-026	BRUSH TRAY HOLDER 1	1
5	DA09-FB0211-000243-02-027	BRUSH THE DISK COVER	1
6	DA09-FB0211-000243-02-028	MOTOR MOUNTING PLATE	1
7	DA09-FB0211-000243-02-029	BRUSH MOTOR	1
8	DA09-FB0211-000243-02-030	FENDER WHEEL	1
9	DA09-FB0211-000243-02-031	FENDER WHEEL SPACER	1
10	DA09-FB0211-000243-02-032	FLAT WASHER M6	4
11	DA09-FB0211-000243-02-033	FLAT WASHER M8	4
12	DA09-FB0211-000243-02-034	SPRING WASHER M6	4
13	DA09-FB0211-000243-02-035	SPRING WASHER M8	6
14	DA09-FB0211-000243-02-036	HEXAGON SOCKET SCREW M6X12	4
15	DA09-FB0211-000243-02-037	HEX BOLT M8X20	4
16	DA09-FB0211-000243-02-038	HEX BOLT M6X20	4
17	DA09-FB0211-000243-02-039	HEX BOLT M8X25	1
18	DA09-FB0211-000243-02-040	SQUARE NECK BOLT M8X30	1
19	DA09-FB0211-000243-02-041	LARGE FLAT GASKET M8	1
20	DA09-FB0211-000243-02-042	CAP NUT M8	1
21	DA09-FB0211-000243-02-043	BRUSH HOLDER	1
22	DA09-FB0211-000243-02-044	EXTRA-LARGE FLAT GASKET M8	1



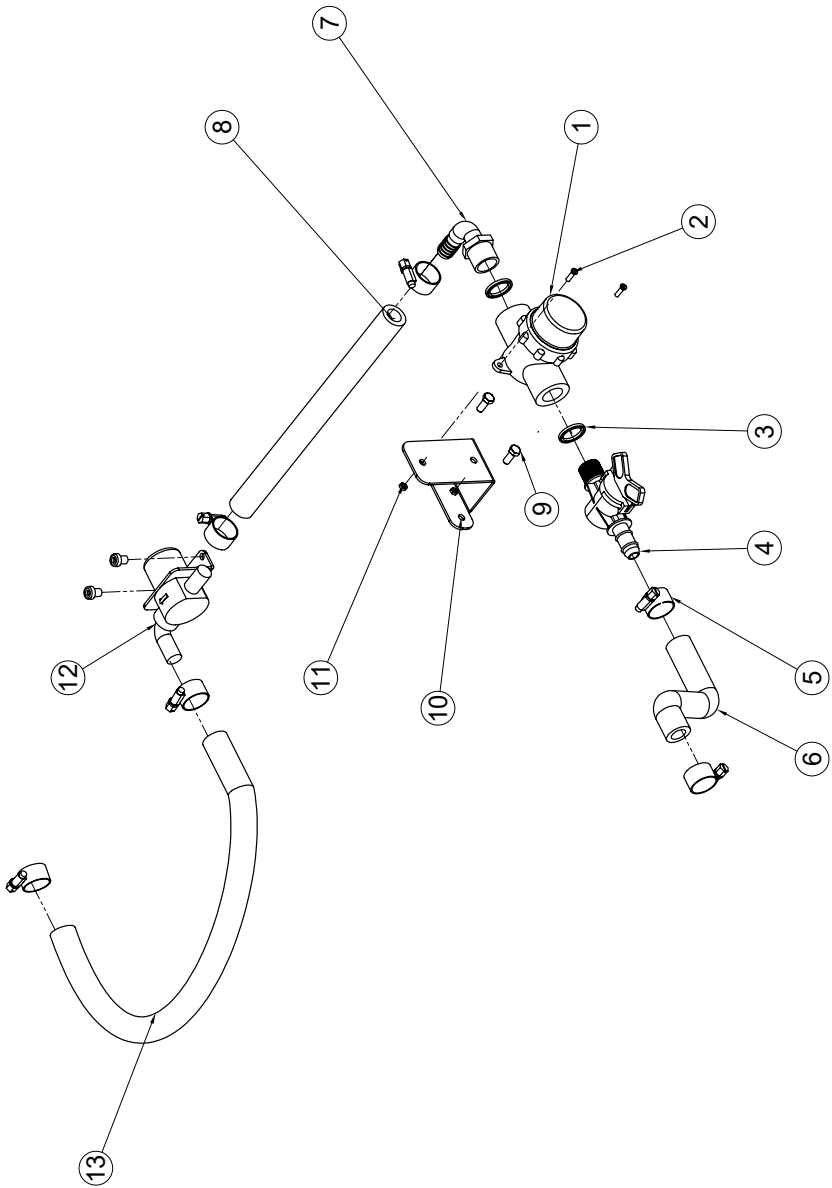
ITEM NO.	DAEWOO PART REFERENCE CODE	PART DESCRIPTION	QTY
1	DA09-FB0211-000243-03-045	SEWAGE TANK	1
2	DA09-FB0211-000243-03-046	SEWAGE TANK COVER	1
3	DA09-FB0211-000243-03-047	SOLID LIQUID SEPARATION BASKET COVER	1
4	DA09-FB0211-000243-03-048	SELF-TAPPING SCREW M3X5	3
5	DA09-FB0211-000243-03-049	TOP COVER OF DEFOAMING DEVICE	1
6	DA09-FB0211-000243-03-050	BASE OF DEFOAMING DEVICE	1
7	DA09-FB0211-000243-03-051	SEWAGE TANK COVER SEAL RING	1
8	DA09-FB0211-000243-03-052	SUCTION MOTOR	1
9	DA09-FB0211-000243-03-053	SUCTION MOTOR MOUNTING BASE PLATE	1
10	DA09-FB0211-000243-03-054	WATER STORAGE COVER	1
11	DA09-FB0211-000243-03-055	SUCTION MOTOR SEAL RING	1
12	DA09-FB0211-000243-03-056	SELF-TAPPING SCREW M5X10	4
13	DA09-FB0211-000243-03-057	FLAT WASHER M6	4
14	DA09-FB0211-000243-03-058	SPRING WASHER M6	2
15	DA09-FB0211-000243-03-059	HEXAGON SOCKET SCREW M6X12	4
16	DA09-FB0211-000243-03-060	PLASTIC COUNTERSUNK GASKET	3
17	DA09-FB0211-000243-03-061	CROSS COUNTERSUNK HEAD BOLT M5X10	3
18	DA09-FB0211-000243-03-062	SOLID-LIQUID SEPARATION BASKET	1
19	DA09-FB0211-000243-03-063	LIQUID LEVEL SENSOR	1
20	DA09-FB0211-000243-03-064	BLOW-OFF PIPE	1
21	DA09-FB0211-000243-03-065	HOOP	1
22	DA09-FB0211-000243-03-066	SUCTION PIPE	1
23	DA09-FB0211-000243-03-067	WIRE ROPE	1
24	DA09-FB0211-000243-03-068	STEEL WIRE ROPE COPPER SLEEVE	2
25	DA09-FB0211-000243-03-069	FOAM DEFOAMER SPONGE	1



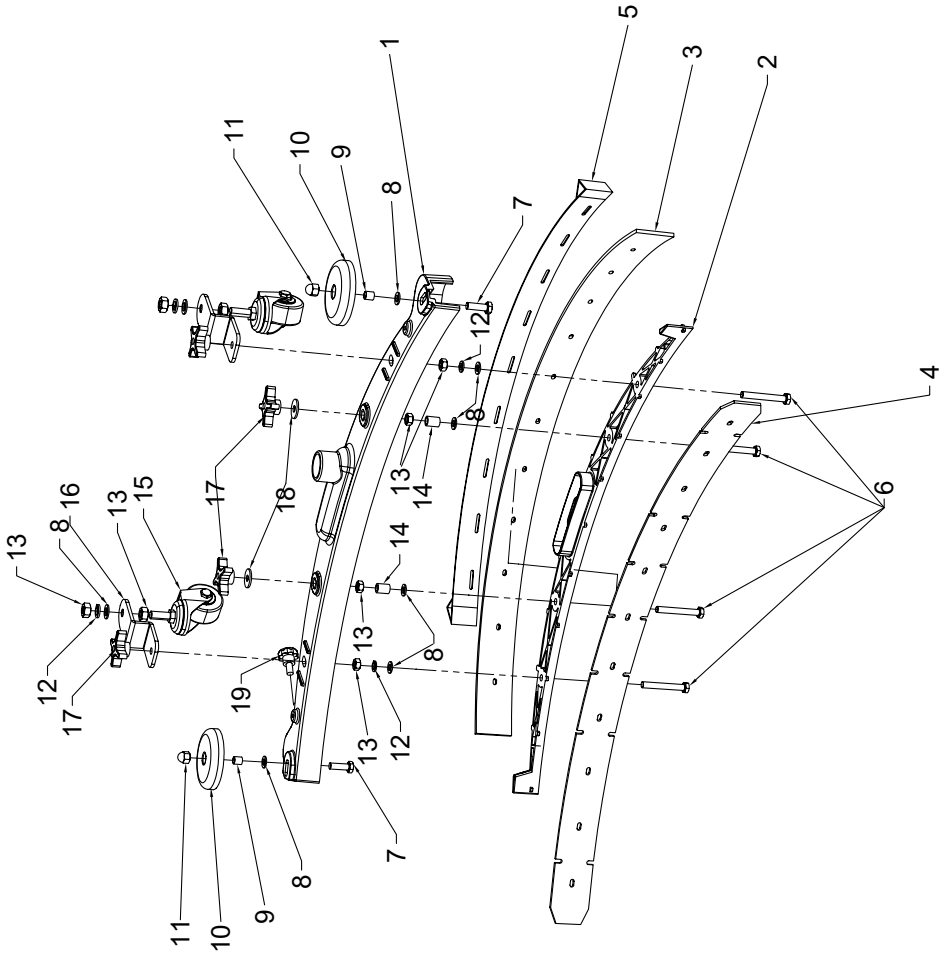
ITEM NO.	DAEWOO PART REFERENCE CODE	PART DESCRIPTION	QTY
1	DA09-FB0211-000243-04-070	DRAIN COVER OUTLET	1
2	DA09-FB0211-000243-04-071	DRAIN COVER FILTER CUP	1
3	DA09-FB0211-000243-04-072	DRAIN COVER FIXED COVER	1
4	DA09-FB0211-000243-04-073	DRAIN COVER SEAL RING	1
5	DA09-FB0211-000243-04-074	FRESH WATER TANK	1
6	DA09-FB0211-000243-04-075	WATER FILLER COVER	1
7	DA09-FB0211-000243-04-076	CONTROLLER MOUNTING PLATE	1
8	DA09-FB0211-000243-04-077	CONTROLLER	1
9	DA09-FB0211-000243-04-078	CROSS PAN HEAD BOLT M6X10	1 0
10	DA09-FB0211-000243-04-079	HEXAGON SOCKET SCREW M5X14	2
11	DA09-FB0211-000243-04-080	CROSS PAN HEAD BOLT M6X12	4
12	DA09-FB0211-000243-04-081	LOCK NUT M5	2
13	DA09-FB0211-000243-04-082	CONTROLLER COVER PLATE	1
14	DA09-FB0211-000243-04-083	HINGE	2
15	DA09-FB0211-000243-04-084	CROSS PAN HEAD BOLT M5X6	1
16	DA09-FB0211-000243-04-085	LIFT HANDLE FASTENING PLATE	2
17	DA09-FB0211-000243-04-086	LIFT THE HANDLE	1
18	DA09-FB0211-000243-04-087	ANGLE COUPLING	2
19	DA09-FB0211-000243-04-088	LEVEL PIPE	1
20	DA09-FB0211-000243-04-089	BATTERY	1
21	DA09-FB0211-000243-04-090	BATTERY BASE	1
22	DA09-FB0211-000243-04-091	HEX BOLTM6X20	8
23	DA09-FB0211-000243-04-092	SPRING WASHERM6	8
24	DA09-FB0211-000243-04-093	FLAT WASHERM6	8
25	DA09-FB0211-000243-04-094	WIRE ROPE	1
26	DA09-FB0211-000243-04-095	LIQUID LEVEL PIPE WASHER	2
27	DA09-FB0211-000243-04-096	LIQUID LEVEL PIPE BALL	1
28	DA09-FB0211-000243-04-097	STEEL WIRE ROPE COPPER SLEEVE	1
29	DA09-FB0211-000243-04-098	LOCK NUTM6	1
30	DA09-FB0211-000243-04-099	HEXAGON SOCKET SCREW M6X20	1
31	DA09-FB0211-000243-04-100	FLAT HEAD TO LOCK BOLT M5X25	1
32	DA09-FB0211-000243-04-101	WIRE ROPE LONG COPPER SLEEVE	1



ITEM NO.D	AEWOO PART REFERENCE CODE	PART DESCRIPTION	QTY
1D	A09-FB0211-000243-05-102	FRAME	1
2D	A09-FB0211-000243-05-103	ROAD WHEEL	2
3D	A09-FB0211-000243-05-104	BEARING 6204	4
4D	A09-FB0211-000243-05-105	SNAP RING	2
5D	A09-FB0211-000243-05-106	ROAD WHEEL DUST COVER	2
6D	A09-FB0211-000243-05-107	BRUSH DISC FOOT LINK	1
7	DA09-FB0211-000243-05-108	BRUSH PLATE ADJUSTING ROD	1
8D	A09-FB0211-000243-05-109	BRUSH PLATE ADJUSTMENT SPRING	1
9D	A09-FB0211-000243-05-110	SWING BOLT M8X35	1
10	DA09-FB0211-000243-05-111	CONNECTING ROD BUSHING	8
11	DA09-FB0211-000243-05-112	HEX SOCKET HEAD CAP SCREW M8X30	3
12	DA09-FB0211-000243-05-113	LOCK NUT M8	10
13	DA09-FB0211-000243-05-114	NUT M8	2
14	DA09-FB0211-000243-05-115	PEDAL STOP PLATE	1
15	DA09-FB0211-000243-05-116	HEXAGON SOCKET SCREW M6X20	2
16	DA09-FB0211-000243-05-117	HEX BOLT M8X25	4
17	DA09-FB0211-000243-05-118	PRESSURE SPRING	1
18	DA09-FB0211-000243-05-119	SWIVEL BRACKET	1
19	DA09-FB0211-000243-05-120	SUCTION MOUNTING BRACKET	1
20	DA09-FB0211-000243-05-121	3 INCH UNIVERSAL WHEEL	2
21	DA09-FB0211-000243-05-122	HEX HEAD BOLT M12X30	2
22	DA09-FB0211-000243-05-123	FLAT WASHER M12	2
23	DA09-FB0211-000243-05-124	SPRING WASHER M12	2
24	DA09-FB0211-000243-05-125	LOCK NUT M12	2
25	DA09-FB0211-000243-05-126	HEX HEAD BOLT M8X30	5
26	DA09-FB0211-000243-05-127	SPRING WASHER M8	14
27	DA09-FB0211-000243-05-128	FLAT WASHER M8	20
28	DA09-FB0211-000243-05-129	SWIVEL BRASS	2
29	DA09-FB0211-000243-05-130	ANTI-SLIP STICKER	1



ITEM NO.	DAEWOO PART REFERENCE CODE	PART DESCRIPTIONQ	TY
1	DA09-FB0211-000243-06-131	CLEAN WATER FILTER	1
2	DA09-FB0211-000243-06-132	CROSS BOLT M4X15	2
3	DA09-FB0211-000243-06-133	COMPOUND GASKET	2
4	DA09-FB0211-000243-06-134	BUTTERFLY VALVE	1
5	DA09-FB0211-000243-06-135	PIPE COLLAR	6
6	DA09-FB0211-000243-06-136	CLEAN PIPE 1	1
7	DA09-FB0211-000243-06-137	3/8 RIGHT ANGLE BEND JOINT	1
8	DA09-FB0211-000243-06-138	CLEAN PIPE 2	1
9	DA09-FB0211-000243-06-139	HEXAGON SOCKET SCREW M6X20	4
10	DA09-FB0211-000243-06-140	FILTER MOUNTING BRACKET	1
11	DA09-FB0211-000243-06-141	NUT M4	2
12	DA09-FB0211-000243-06-142	SOLENOID VALVE	1
13	DA09-FB0211-000243-06-143	CLEAN PIPE 3	1



ITEM NO.	DAEWOO PART REFERENCE CODE	PART DESCRIPTIONQ	TY
1	DA09-FB0211-000243-07-144	GRILLED ABSORPTION BODY	1
2	DA09-FB0211-000243-07-145	SCRAPE THE PLASTIC BRACKET	1
3	DA09-FB0211-000243-07-146	AFTER THE STRIP	1
4	DA09-FB0211-000243-07-147	BEFORE THE STRIP	1
5	DA09-FB0211-000243-07-148	BACK RUBBER STRIP PRESS PLATE	1
6	DA09-FB0211-000243-07-149	HEXAGON BOLT M8X60	4
7	DA09-FB0211-000243-07-150	HEXAGON BOLT M8X20	2
8	DA09-FB0211-000243-07-151	FLAT GASKET M8	8
9	DA09-FB0211-000243-07-152	ANTI-COLLISION WHEEL SPACER	2
10	DA09-FB0211-000243-07-153	FENDER WHEEL	2
11	DA09-FB0211-000243-07-154	COVER NUT M8	2
12	DA09-FB0211-000243-07-155	SPRING GASKET M8	4
13	DA09-FB0211-000243-07-156	NUT M8	2
14	DA09-FB0211-000243-07-157	SPACER BUSH	2
15	DA09-FB0211-000243-07-158	2 INCH UNIVERSAL WHEEL (M10X30)	2
16	DA09-FB0211-000243-07-159	U NIVERSAL WHEEL BRACKET	2
17	DA09-FB0211-000243-07-160	CROSS HAND WHEEL NUT	4
18	DA09-FB0211-000243-07-161	LARGE FLAT GASKET M8	2
19	DA09-FB0211-000243-00-162	CROSS PATTERN HANDWHEEL BOLT M8	1

EC DECLARATION OF CONFORMITY

Model Name: FLOOR SCRUBBER

Model Code: DSD600

Brand: **DAEWOO**

We GBR Corp. LTD, Room 1002, 10/F., David House, 8-20 Nan-king Street, Jordan, Kowloon, Hong Kong, China, declare under our sole responsibility that this product is in conformity and accordance with the following standards and regulations.

The undersigned is responsible for the compilation of technical documentation.

Satisfies the requirement of the Council Directives:

EC Council Directive 2006/42/EC Machinery

EC Council Directive (EU) 2014/30 Electromagnetic Compatibility and conforms to the norms:

EN ISO 11806-1:2022

EN ISO 14982:2009

Jerry Xu
Sourcing and
quality manager



Signature and Stamp on undersigned responsible.

Date: 11-3-2024

WARRANTY CARD

Product model	Date of sale
Serial number	Company
Username	Client's signature

The product is in good conditions and fully complete. Read and agree the terms of the warranty.

GUARANTEE

The warranty period starts from the date of sale of the products and covers 2 years for all power products.

During the warranty period, free failures caused due to the use of poor-quality materials in the production and manufacturer workmanship admitted fault are removed. The guarantee comes into force only when warranty card and cutting coupons are properly filled. The product is accepted for repair in its pure form and full completeness.

WARRANTY DOES NOT COVER

- Mechanical damage (cracks, chips, etc.) and damage caused by exposure to aggressive media, foreign objects inside the unit and air vents, as well as for damage occurred as a result of improper storage (corrosion of metal parts);
- Failures caused by overloading or product misuse, use of the product for other purposes. A sure sign of overload products is melting or discoloration of parts due to the high temperature, simultaneous failure of two or more nodes, tearing on the surfaces of the cylinder and the piston or destruction of piston rings. Also, the warranty does not cover failure of the automatic voltage regulator due to incorrect operation;
- Failure caused by clogging of the fuel and cooling systems;
- Wearing parts (carbon brushes, belts, rubber seals, oil seals, shock absorbers, springs, clutches, spark plugs, mufflers, nozzles, pulleys, guide rollers, cables, recoil starter, chucks, collets, removable batteries, filters and safety elements, grease, removable devices, equipment, knives, drills, etc.);
- Electrical cables with mechanical and thermal damage;
- Product opened or repaired by a non-authorized service center.
- Prevention, care products (cleaning, washing, lubrication, etc.), installation and configuration of the product;
- Natural wear products (production share);
- Failures caused by using the product for the needs related to business activities;
- If the warranty card is empty or missing seal (stamp) of the Seller;
- The absence of the holder's signature on the warranty card.

DAEWOO	DAEWOO	DAEWOO
Product _____	Product _____	Product _____
Model _____	Model _____	Model _____
Company _____	Company _____	Company _____
Date of sale _____	Date of sale _____	Date of sale _____



DAEWOO
POWER PRODUCTS

www.daewoopowerproducts.com

Manufactured under license of **Daewoo International Corporation**, Korea