

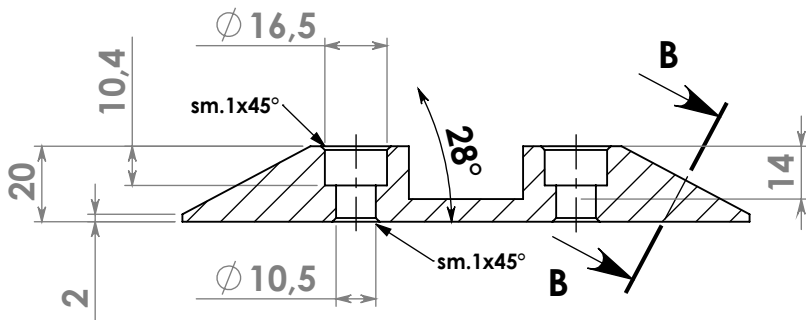
A

B

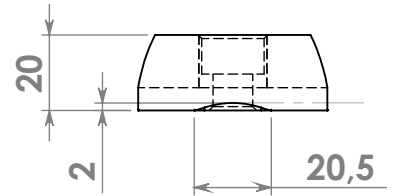
C

D

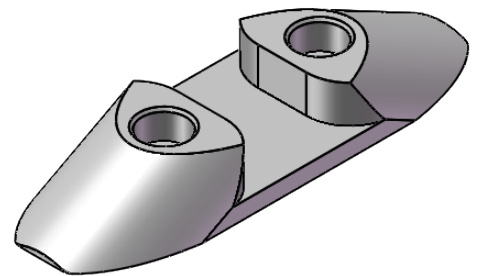
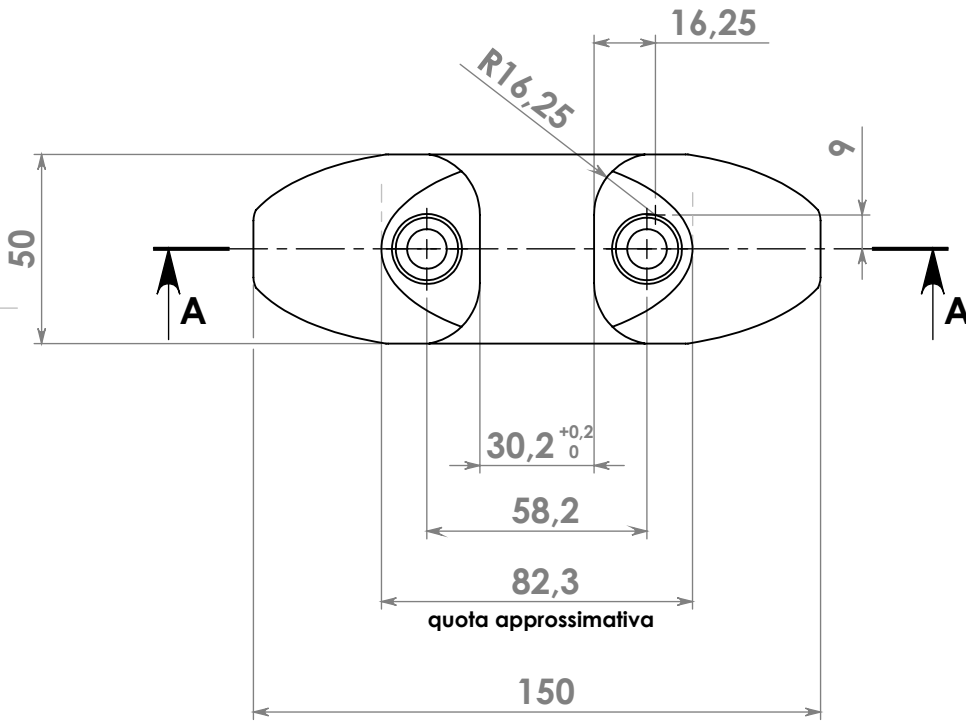
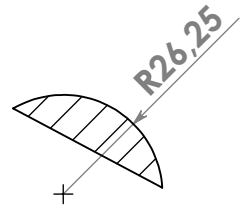
E



SEZIONE A-A



SEZIONE B-B



UNLESS OTHERWISE SPECIFIED:
 DIMENSIONS ARE IN MILLIMETERS
 SURFACE FINISH:
 TOLERANCES:
 LINEAR:
 ANGULAR:

FINISH:

DEBUR AND
 BREAK SHARP
 EDGES

DO NOT SCALE DRAWING

REVISION

	NAME	SIGNATURE	DATE		
DRAWN					
CHK'D					
APPV'D					
F MFG					
Q.A					
			MATERIAL: Alluminio UNI EN 46100/46000		
			WEIGHT:		

TITLE: Fermo Portone 50 mm in alluminio passaggio perno 30 mm		A4
DWG NO. 170500003		
SCALE: 1:2	SHEET 1 OF 1	