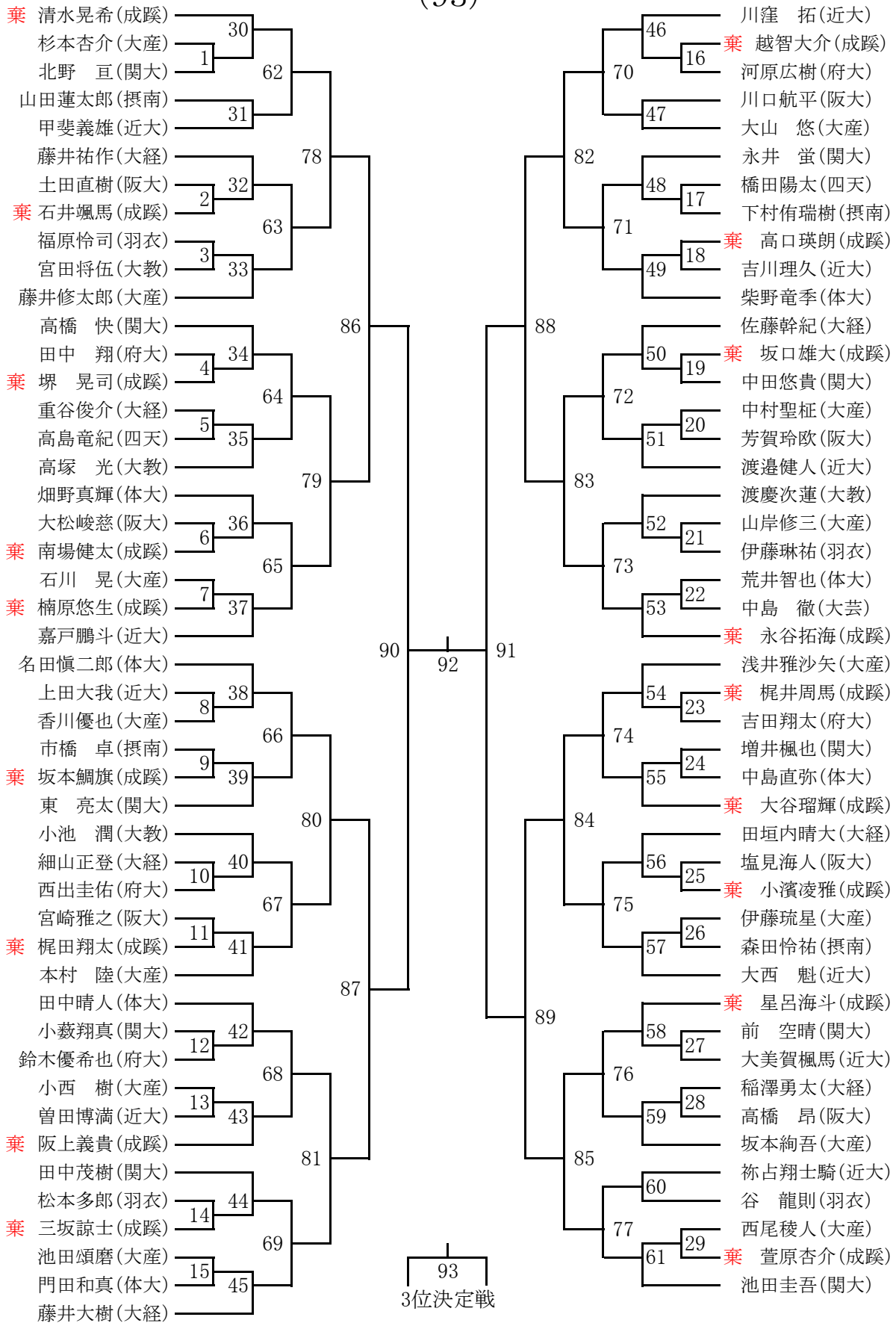


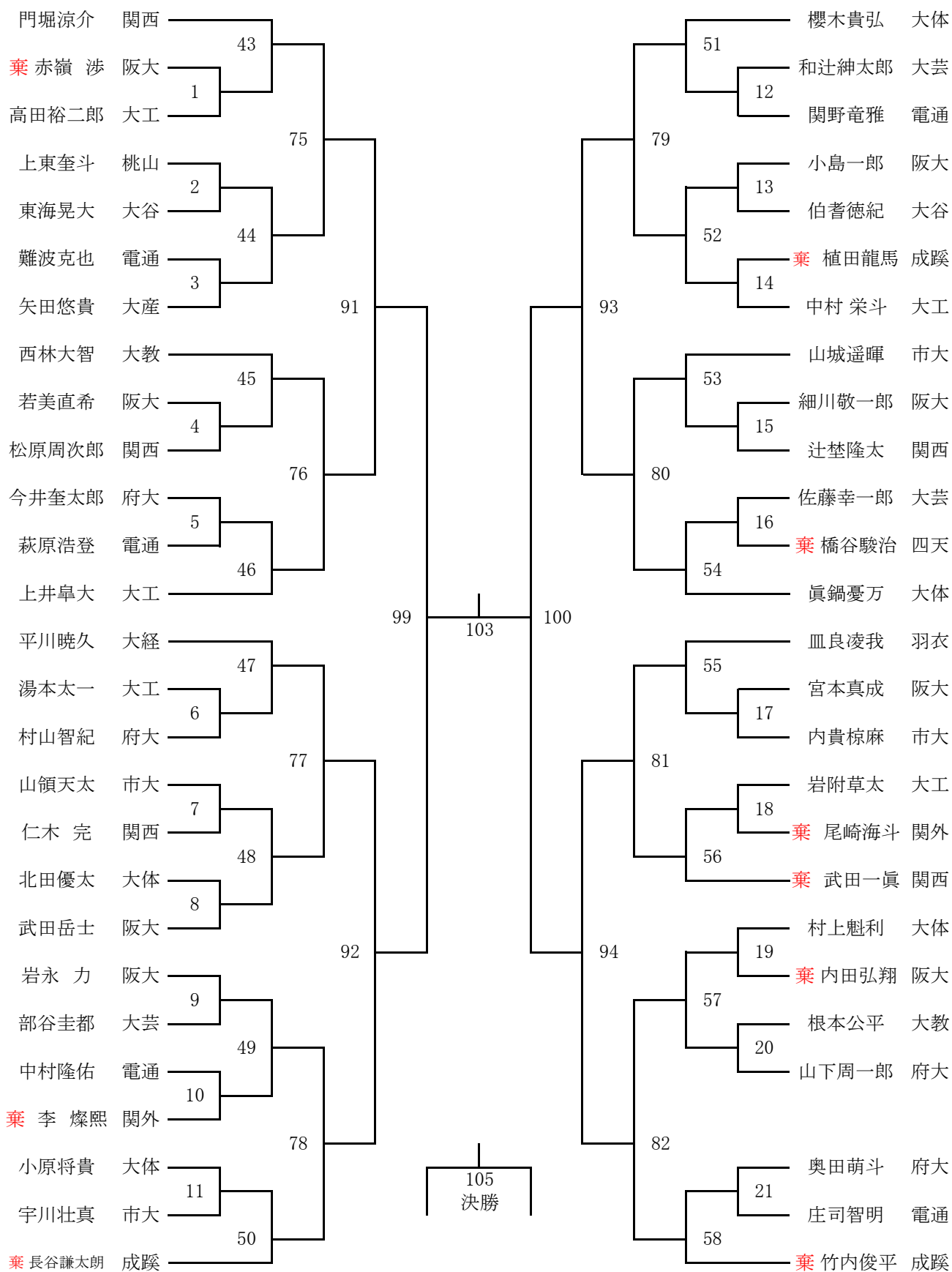
MSA

(93)



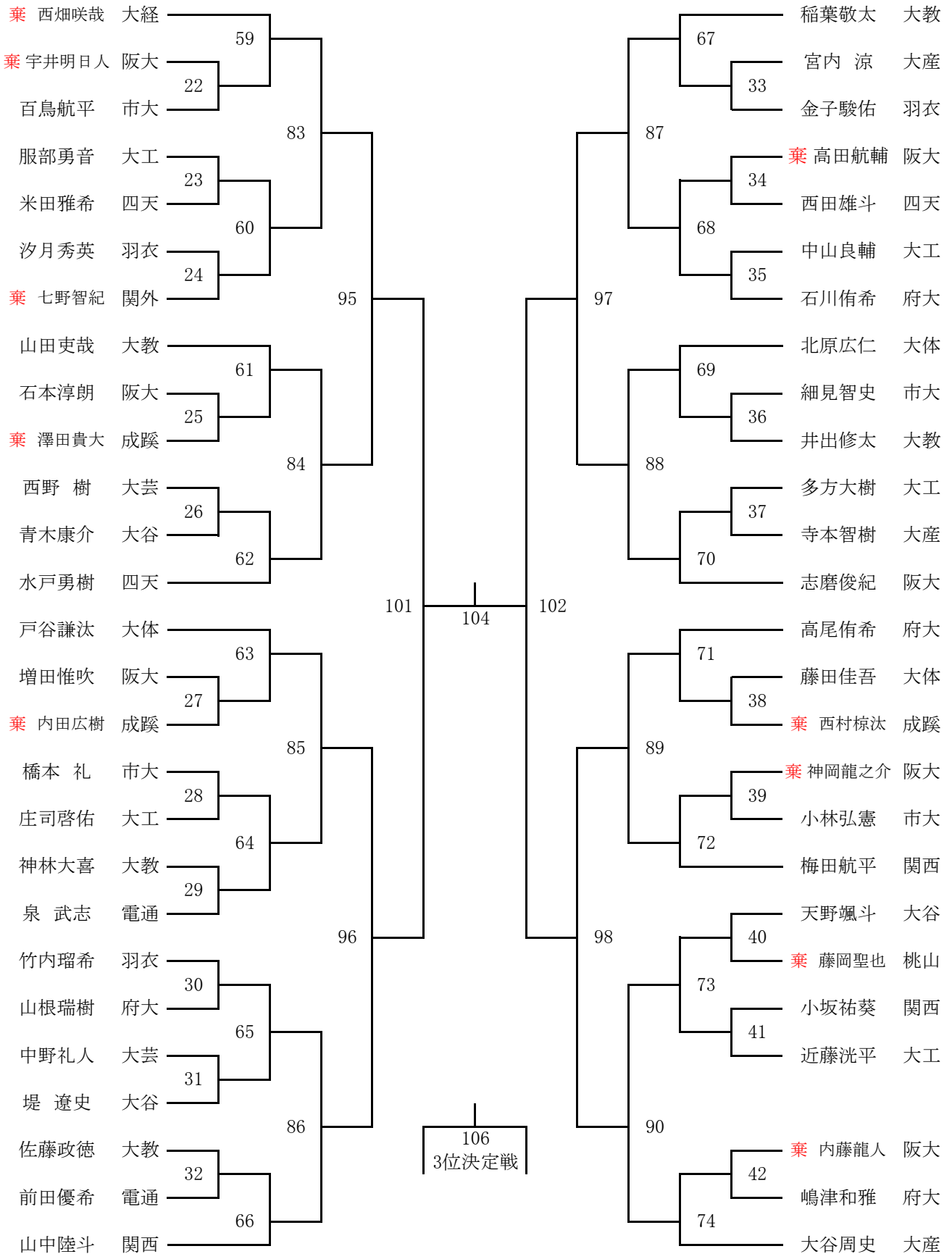
MSB①

(106)



MSB②

(106)



WD
(39)

