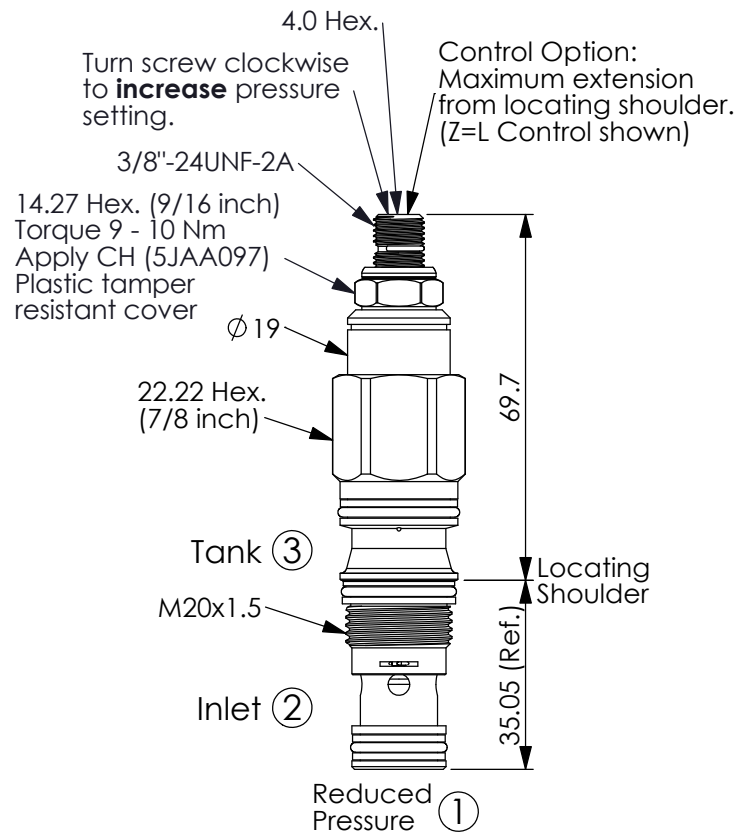


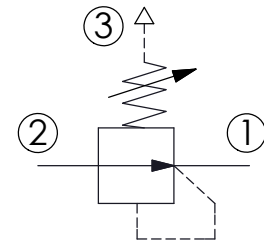
REDUCING VALVE (Poppet, Direct Acting)

Ordering Code: **PF-11A-X-Y-Z**

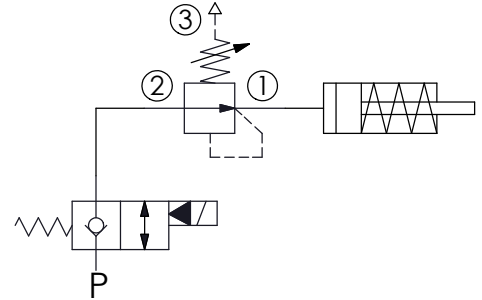


UNIT:mm

Illustrations / detail are for reference only. Data subject to change.



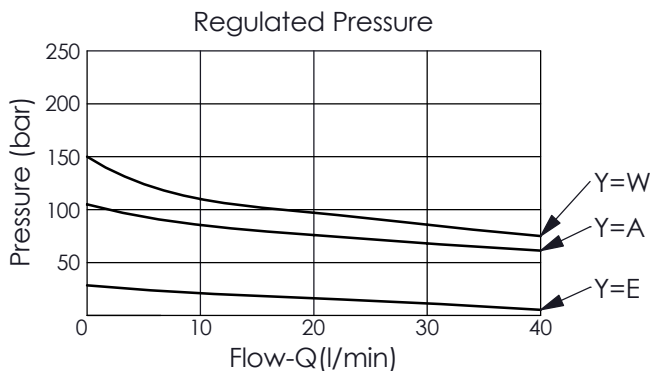
Example: Application Example



TECHNICAL DATA

Max.Operating pressure:	350	bar
Rated flow:	30	l/min
Cavity-Tooling:	11A-3	
Installation torque:	40 - 50	Nm
Weight:	0.160 (Z=L)	kg

Poppet type construction, dirt tolerance All spring ranges allow 350 bar inlet pressure.



X OPERATION

3J Reducing Valve (Without Relief function)

- Port ② and Port ① to Port ③ without internal leakage.
- Pressure reducing for a long time, unnecessary provide oil by pump.
- Please pay attention when using this valve in a dead-head application (no flow from port ① to port ②) because it is without relieving function. The pressure may continue increase obviously because of the very low leakage at the reduced pressure side of the circuit. The pressure at port ① will not stop at the pressure setting of the spring, it will gradually increase toward port ② according to the flow.
- This valve is almost zero leakage. To prevent pressure change of port ①, we suggest increasing port ① capacity of cavity. If you have any question, please contact Winner's sales department.
- If the relief function is needed, please refer to PG-11A-30-**Y**-**Z**.

Y

SPRINGS

ADJUSTMENT RANGES

A	20 - 210 bar (50 bar Standard Setting)
E	1.7 - 28 bar (14 bar Standard Setting)
W	35 - 315 bar (70 bar Standard Setting)

Z

OPTIONS

L	Leakproof hex. socket screw.	
C	Stainless Steel Tamper Resistant Cover.	
K	Handknob with Lock Knob. (Order Code: 6ZAK001)	