

WATERSPY 1.0



USER MANUAL

WATERSPY^{1.0}



by

iCapios 

**Actioncam shuttle for recording your
underwater fishing adventures.**

Convenient handling.

Enables underwater recording in high 4K*
resolution.

Compatible with many different action cams.

** using a camera with a correspondingly high resolution.
Camera **not** included.*

Congratulations on purchasing your Waterspy 1.0!

You now have the opportunity to experience your fishing trip again in a completely different way.

Be it the fish of your life which bite you have live on tape, getting to know your fishing ground below the water surface or observing your feeding area.

Simply use the action cam, which you already have, and at best, film in high 4K resolution.

On our homepage **www.thewaterspy.com** as well as on our Youtube channel **iCapiro official** you will find an instruction video with helpful tips and tricks about waterspy.

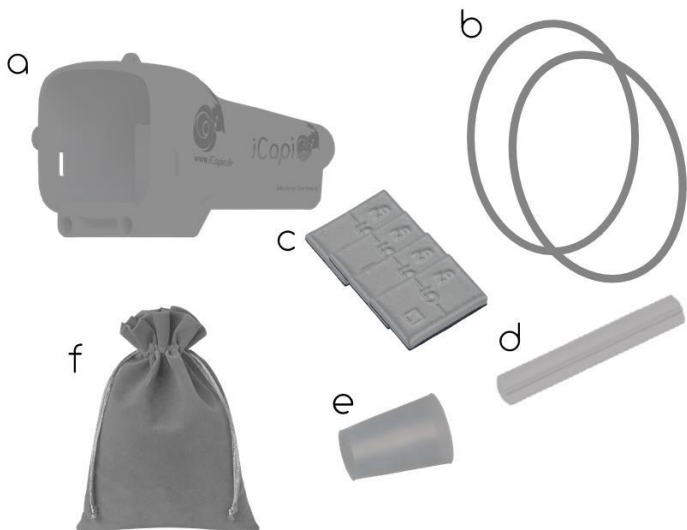
If you have already taken cool pictures with Waterspy, please send them to us or share them with **#waterspy** on Instagram. We look forward to your recordings.

Thank you very much & have fun with the Waterspy!

List of contents

1. Content - What's in the box?
2. Mounting the action cam
3. Description of the waterspy
4. Assembling the waterspy
5. Application with lures/bait
6. Adjust & position your waterspy
7. Application without lures/bait
8. Cleaning and care
9. More tips
10. Remarks & notes
11. Related Links
12. Contact

1 Contents of the Box



- a iCapio Waterspy 1.0
- b Rubber loops
- c Additional bottom weights
- d Balancing weights
- e Rubber stopper
- f Storage bag

2 Inserting the action cam

1



Clamp the action cam behind the already inserted rubber band. You can find a tutorial about inserting the action cam on our homepage and on our YouTube channel.

2



Pull the rubber band over the safety nipple on the underside.

3



#double secured!

Place another rubber band around the outside of an external securing nipple, pass it through the hole inside the housing, past the camera, and thread the loop out of the housing again through the hole opposite. Now put the loop around the securing nipple to tighten & secure.



The max. dimension of any action cam to fit into the Waterspy 1.0 are: **65x75x40 mm** (HxWxD)



3 Description of the Waterspy



1 Devices for weights / additional weights

2 Attachment points for line

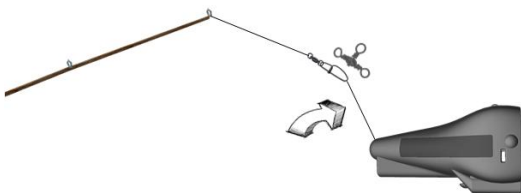
3 Locking nipple

4 Opening of the floating chamber

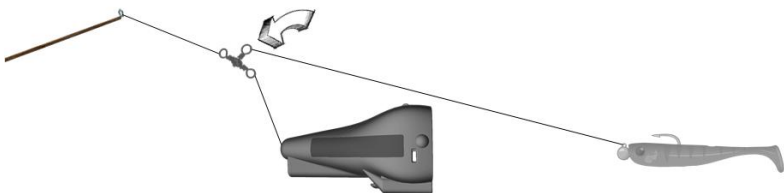
4 Assembling the waterspy



Tie a strong swivel, e.g. a T-swivel, to your main line.



Connect the Waterspy to your swivel with a shock leader.

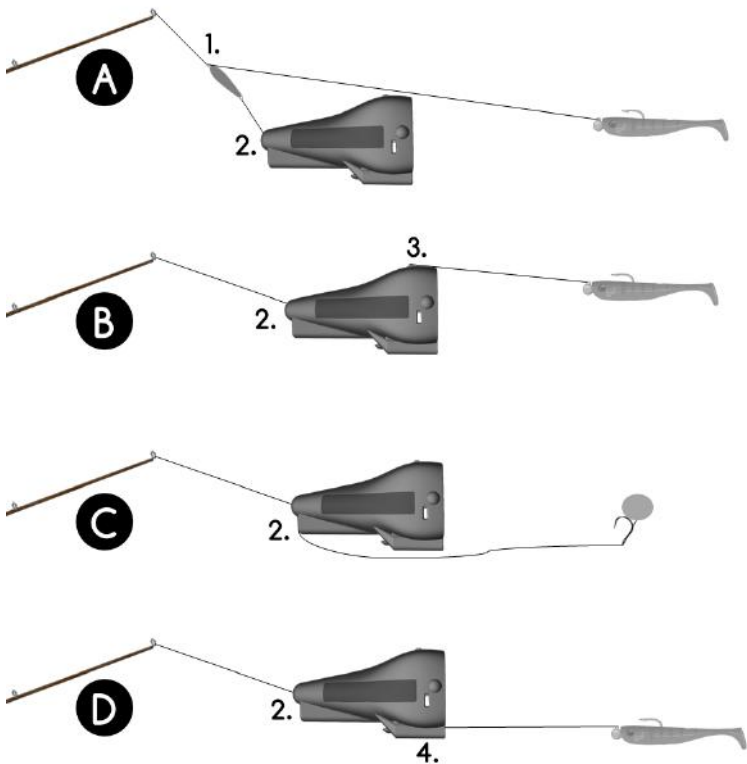


Attach the leader with your bait to the T-swivel or 3-way swivel. The length of the leader varies depending on the bait, the balancing of the Waterspy and where in the picture you want your bait.

A guidance for the leader length is approx. 40-120cm.

Tip: If a higher trolling depth is to be achieved, a lead sinker can be connected in front of the Waterspy (behind the shock leader).

5 Options for use with bait

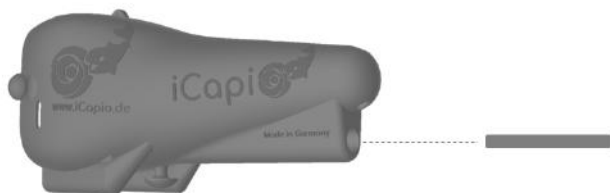


The options shown here are used at your own risk.

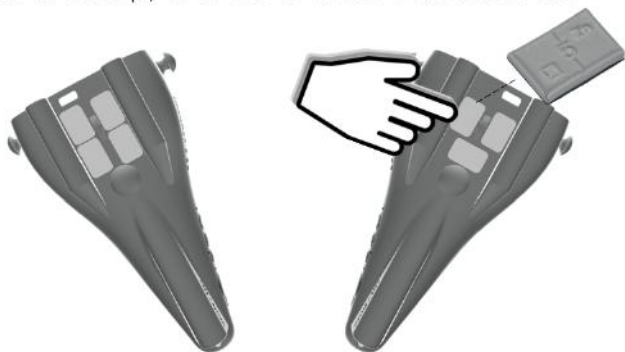
The attachment points B 3. and D 4. should only be used with small baits/lures for catching smaller fish, such as trout and bass.

6 Aligning the waterspy

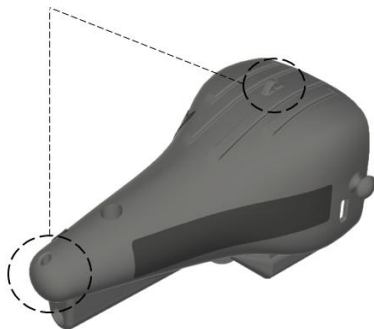
The waterspy allows a very individual & customized setup. It is mainly carried out using 3 bar weights. The two front weights are fixed, the rear can be used or left out as required. We recommend using all three weights for trolling.



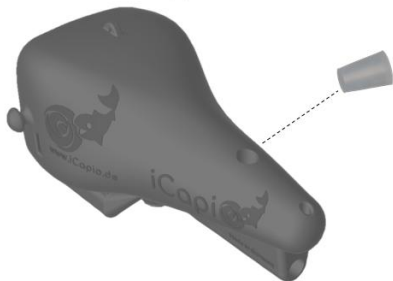
Depending on the camera model (e.g. GoPro 8) it may be necessary to attach 3-4 adhesive weights to the bottom side of the Waterspy in order to ensure a stable run.



The orientation of the Waterspy may also be further adjusted by connecting a support line to the upper-front and the connection port at the end.



In order to have further influence on the running and sinking behavior, the hollow chamber in the back can remain filled with air, or it can be filled with water or sand; to give an example. Afterwards, the hollow chamber is to be closed with the rubber stopper.



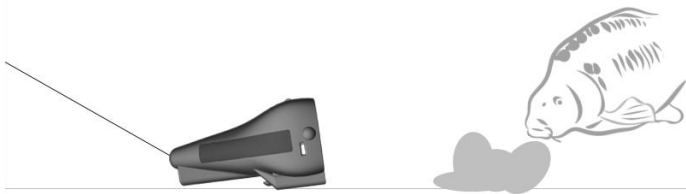
Suspending:

- We recommend attaching as few weights as possible and only leaving the rear hollow chamber filled with air.
- By balancing with weights in front, behind and under the Waterspy, both the sink behavior and the incline can be regulated.

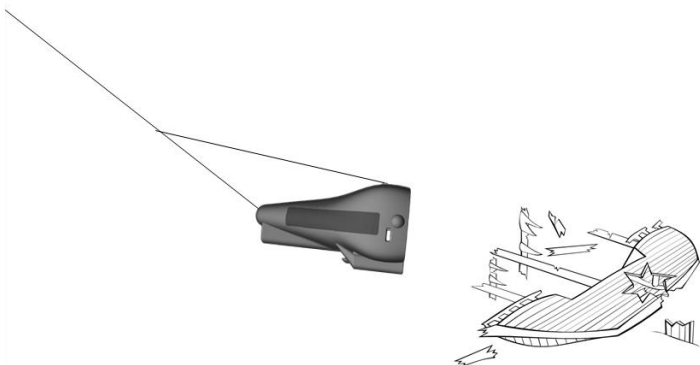
7 Options for use without bait

In addition to filming your lure, the Waterspy can provide other exciting insights into the world of fishing.

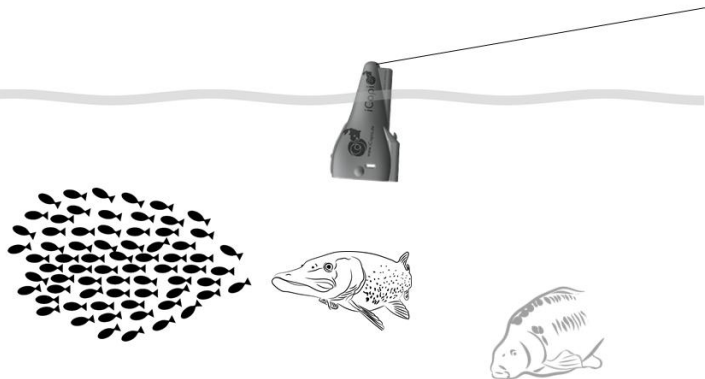
For example, observing/ filming your feeding area can be an informative method of analyzing the eating behavior of the fish (e.g. carp).



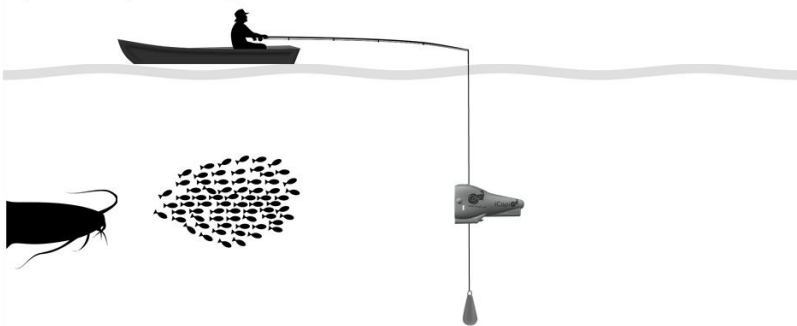
Interesting spots under water that cannot be seen from the outside or are difficult to identify on the echo sounder can also be discovered with the Waterspy.



Another exciting option is observing feeding grounds, hotspots or simply exploring the water from above. For this purpose, the rear bar weight is dispensed with and the hollow chamber is filled with air and sealed. The Waterspy now stands vertically in the water **like a bobber** and films what is happening below her.



When fishing vertically from a boat, the Waterspy can be put down with the help of a heavy base weight/sinker to record what is happening right under the boat. The cord should always be taut and perpendicular (vertical) to the ground.



8 Cleaning and care

After use, especially in salt water, the Waterspy should be rinsed off all around with fresh water.

The shelf life of the accessory material is also significantly extended by rinsing it off.

9 More tips

In order to increase the diving depth further, we recommend attaching a towing lead, for example, to be attached before the Waterspy. There should be no significant additional weighting between the Waterspy and the bait/lure. In general, we recommend that the lure is offered with very little weight (e.g. rubber fish) in order to keep it in the field of view of the action cam.

! Be sure to note the maximum depth of your action cam and make sure not to exceed it!

10 Hints

- The Waterspy is particularly suitable for trolling, vertical fishing from a boat and observing the feeding area (from the bottom). We advise against throwing with the Waterspy. We cannot pay for any damage caused by this.
- It should be noted that the Waterspy including camera has a high weight that should not be underestimated. Particular attention should be paid to strong rods, lines and swivels.
- If you are fishing for very large and strong fish, we definitely recommend that the bait is attached to a swivel behind the Waterspy on the shock leader or at position 2. directly on the back of the Waterspy.
- The Waterspy has no influence on the maximum diving depth specified by the camera manufacturer. It is the responsibility of the user not to exceed this maximum depth.
- Visit our website for more tips & tricks, www.thewaterspy.com or www.iCario.de

11 Related links

- Follow us on our social media channels and on the Internet, and don't miss any tips & tricks



 Instagram



YouTube



facebook.

Capere Science GmbH
Bismarckstrasse 27
30989 Gehrden
- Germany -

email: support@iCapiro.de
email: support@thewaterspy.com



www.iCapiro.de



www.thewaterspy.com



Damage to the camera or the Waterspy bracket as a result of throwing and reeling in is not subject to liability and is the responsibility of the angler.

Likewise, the Capere Science GmbH cannot be held liable for any loss of camera, Waterspy or bait/ lure.

If you have any questions, comments or a complaint, please contact support@thewaterspy.com

This product or service does not belong to, is not endorsed by, or is in any way affiliated with GoPro Inc. or its products or services.

GoPro, HERO, Session, Karma and their respective logos are trademarks or registered trademarks of GoPro, Inc.

iCapiro



You can find many more innovative and high-quality products for fishing at www.iCapiro.de



shop



From angler,
for angler

 **REC**

WATERSPY 1.0

...catch the moment

