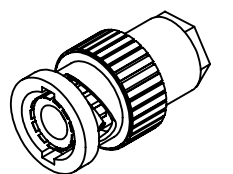


PART #	AIRSIDE CONNECTOR INCLUDED
A0471-1-W	YES
A0471-4-W	NO

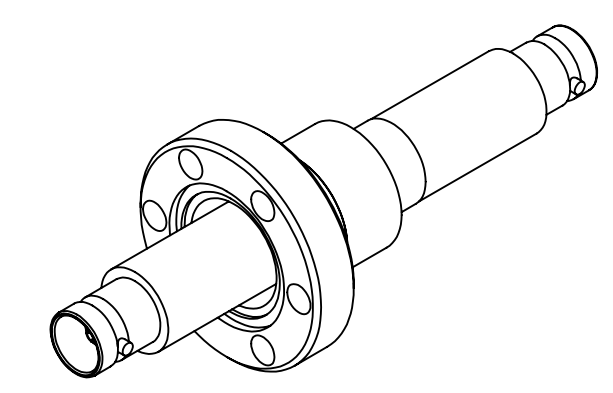
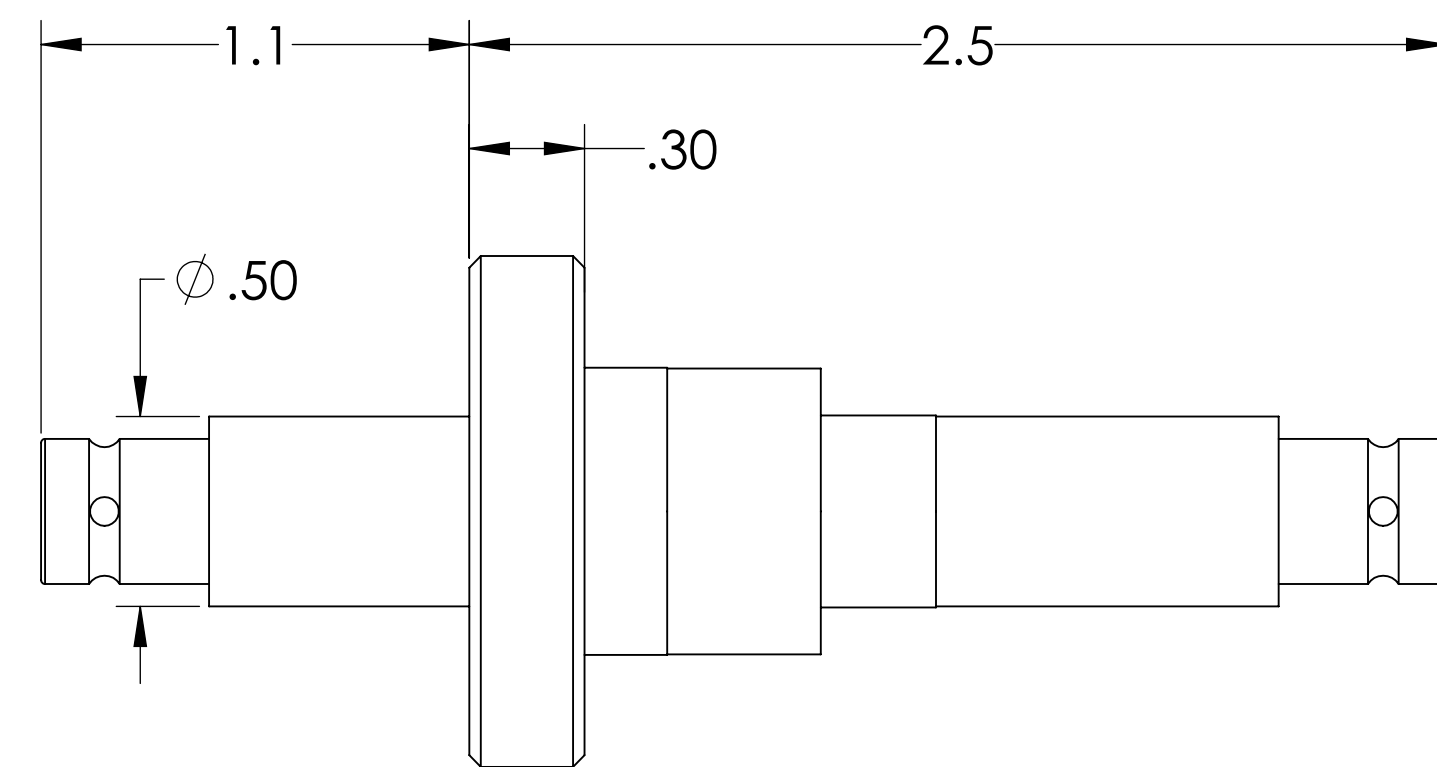
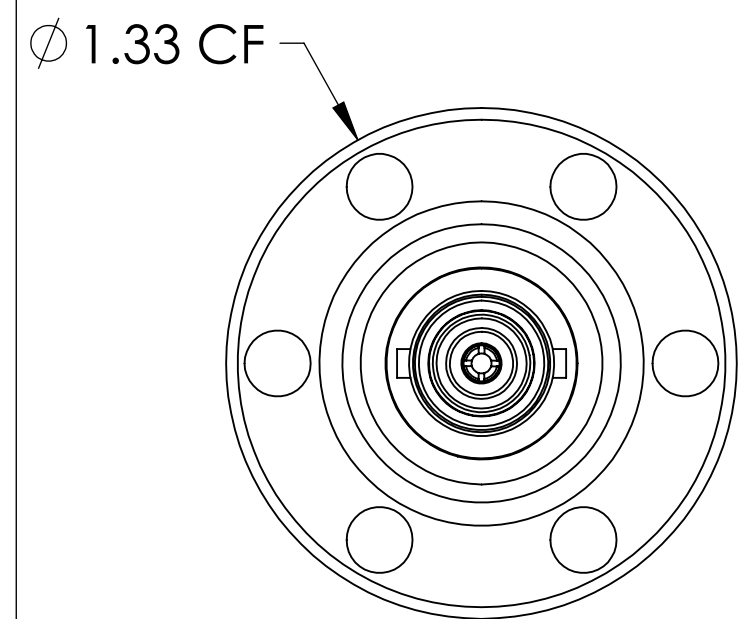
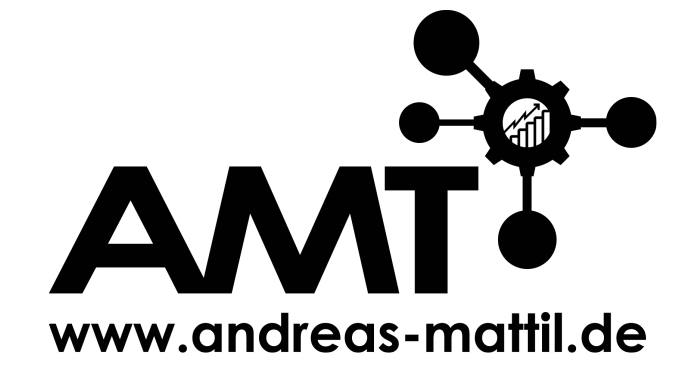
NOTE:

1. SHIELD: GROUNDED
2. VOLTAGE: 500 VOLTS DC
3. CURRENT: 3 AMPS
4. TEMPERATURE RATING: -200 TO 450°C (FEEDTHROUGH), 65 TO 165°C (AIRSIDE CONNECTOR)
5. IMPEDANCE: NON-CONSTANT

BNC Coaxial Feedthrough, 1 Pin, Grounded Shield, Double Ended, 0.745" Dia SS Weld Adapter, UHV Compatible



UNLESS OTHERWISE SPECIFIED:		QUOTATION #	
DIMENSIONS ARE IN INCHES		N/A	
TOLERANCES:		NAME	DATE
ANGULAR: MACH $\pm 1/2^\circ$		WJ	9/11/2015
TWO PLACE DECIMAL $\pm .030$		CHECKED	9/11/2015
THREE PLACE DECIMAL $\pm .015$		ENG APPR.	WJ 9/11/2015
MATERIAL		THIRD ANGLE:	
FINISH		APPLICATION	
PLATING		NEXT ASSY	USED ON
SURFACE FINISH: $\sqrt{63}$ OR BETTER		TITLE:	
UNLESS OTHERWISE SPECIFIED:		BNC COAXIAL	
ALL DIAMETERS CONCENTRIC WITHIN .005.		FEEDTHROUGH, 1 PIN,	
REMOVE ALL BURRS AND SHARP EDGES		GROUNDED SHIELD, DOUBLE	
		ENDED, 0.745" DIA SS WELD	
		ADAPTER	
		DOWNLOADED FROM MPFPI.COM	
		DWG. NO.	REV
		A0471 BNC	
		Monday, January 21, 2019 8:46:11 AM	

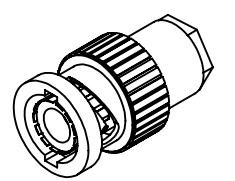


PART #	AIRSIDE CONNECTOR INCLUDED
A0472-1-CF	YES
A0472-3-CF	NO

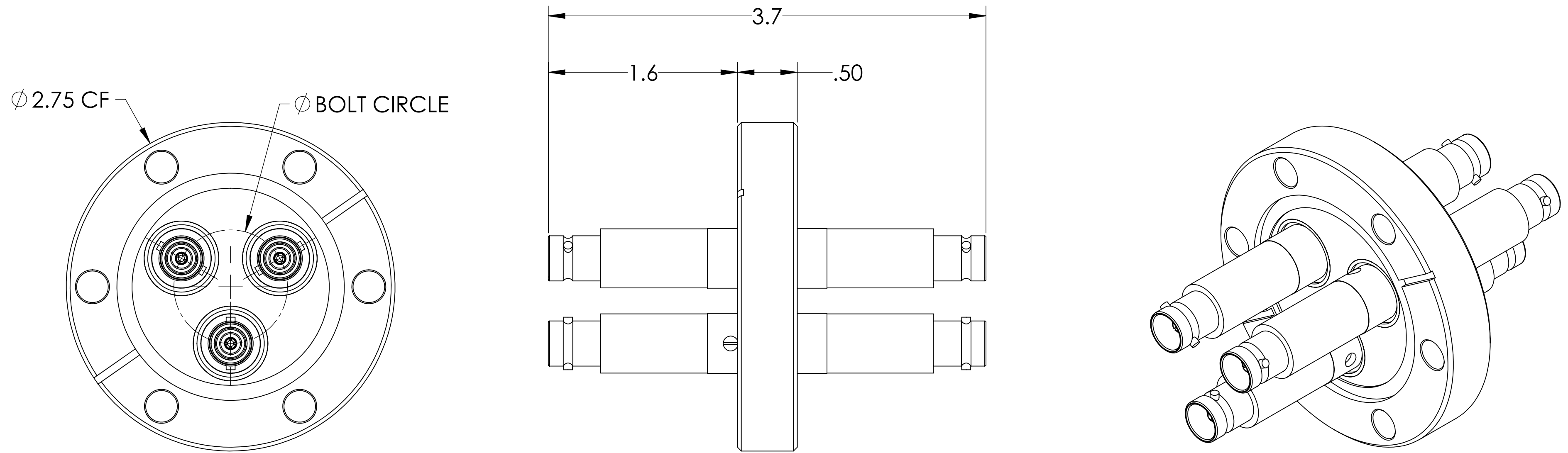
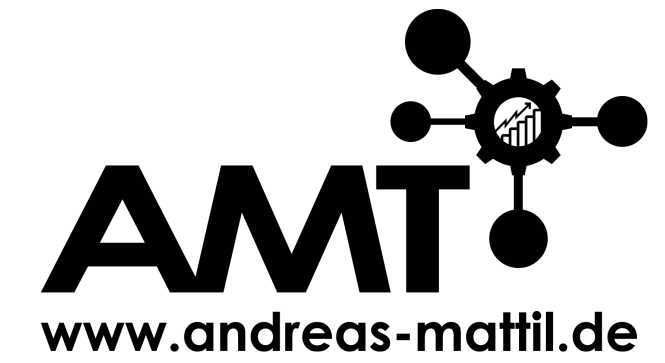
NOTE:

1. SHIELD: GROUNDED
2. VOLTAGE: 500 VOLTS DC
3. CURRENT: 3 AMPS
4. TEMPERATURE RATING: -200 TO 450°C (FEEDTHROUGH), 65 TO 165°C (AIRSIDE CONNECTOR)
5. IMPEDANCE: NON-CONSTANT

BNC Coaxial Feedthrough, 1 Pin, Grounded Shield, Double Ended, 1.33" Conflat Flange, UHV Compatible



UNLESS OTHERWISE SPECIFIED:		QUOTATION #		N/A	
DIMENSIONS ARE IN INCHES TOLERANCES:		NAME	DATE	MPF PRODUCTS INC.	
ANGULAR: MACH ± 1/2°		DRAWN	9/11/2015		
TWO PLACE DECIMAL ± .030		CHECKED	9/11/2015		
THREE PLACE DECIMAL ± .015		ENG APPR.	9/11/2015		
MATERIAL		THIRD ANGLE:		TITLE: BNC COAXIAL FEEDTHROUGH, 1 PIN, GROUNDED SHIELD, DOUBLE ENDED, 1.33" CONFLAT FLANGE	
FINISH		APPLICATION			
PLATING		NEXT ASSY USED ON			
		SURFACE FINISH: 63 OR BETTER			
		UNLESS OTHERWISE SPECIFIED:		DOWNLOADED FROM MPFPI.COM	
		ALL DIAMETERS CONCENTRIC WITHIN .005. REMOVE ALL BURRS AND SHARP EDGES		DWG. NO. A0472 BNC	
				REV	
				Monday, January 21, 2019 9:20:36 AM	

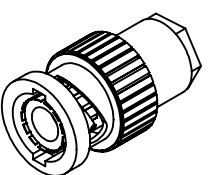


PART #	BOLT CIRCLE Ø	FEEDTHROUGH QTY.	AIRSIDE CONNECTOR INCLUDED
A0473-1-CF	OMIT	1	YES
A0473-3-CF	.75	2	YES
A0473-5-CF	.95	3	YES

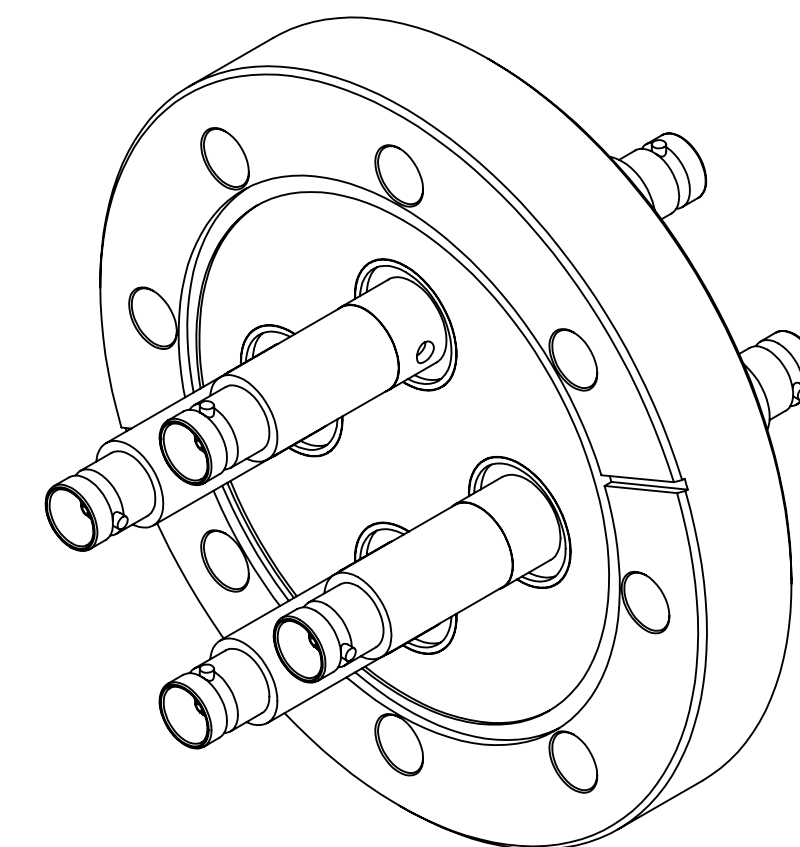
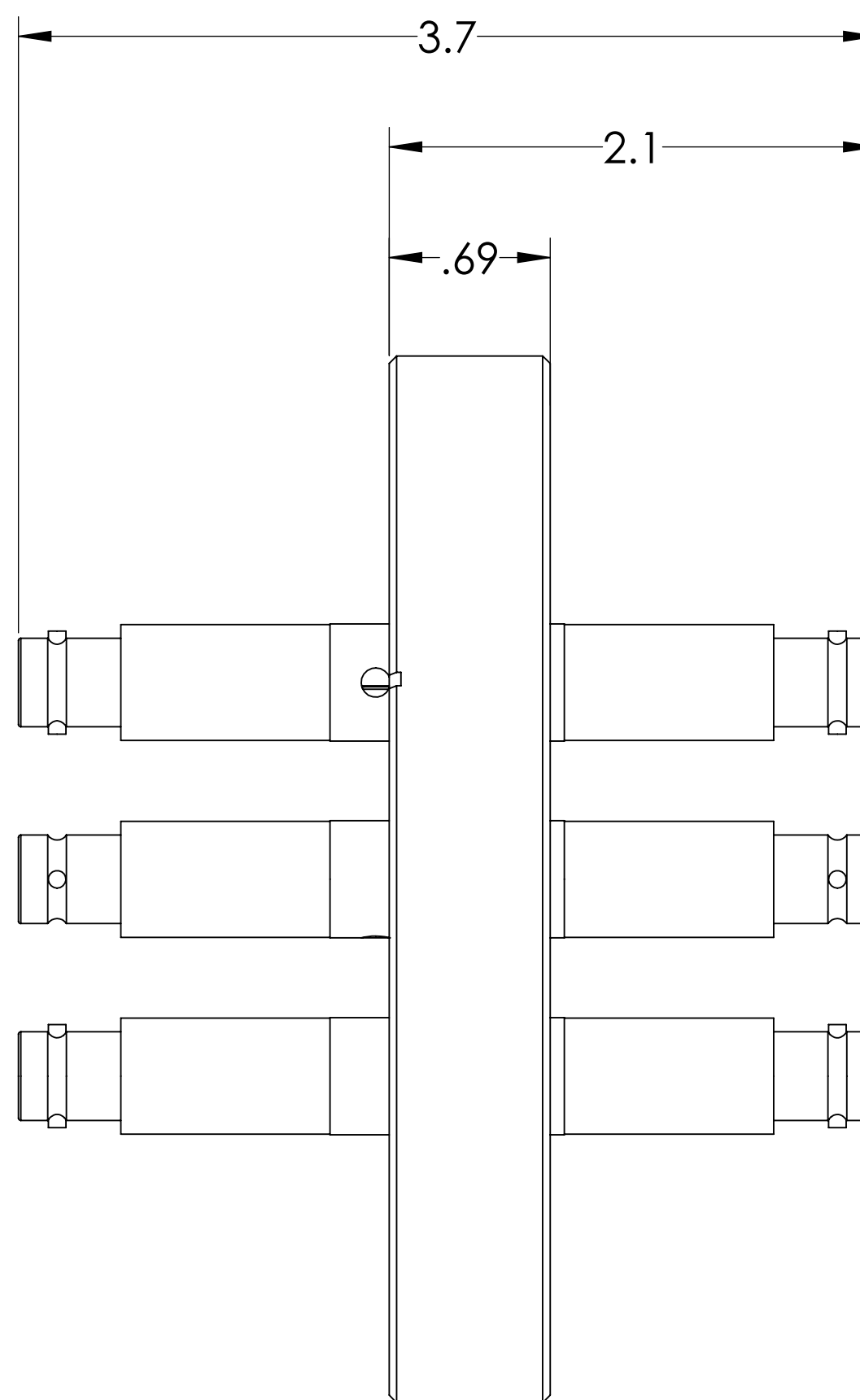
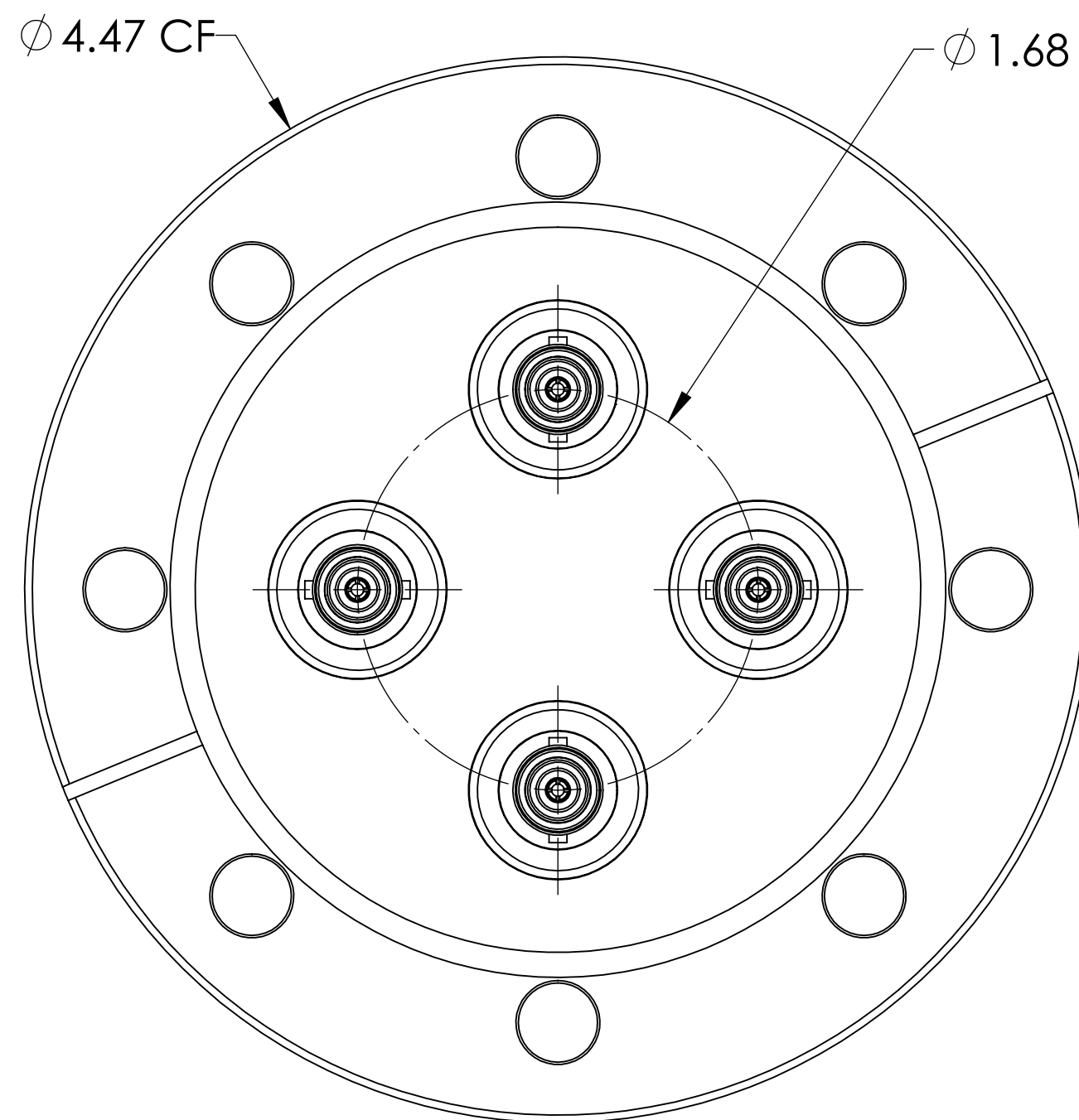
NOTE:

1. SHIELD: GROUNDED
2. VOLTAGE: 500 VOLTS DC
3. CURRENT: 3 AMPS
4. TEMPERATURE RATING: -200 TO 450°C (FEEDTHROUGH), 65 TO 165°C (AIRSIDE CONNECTOR)
5. IMPEDANCE: NON-CONSTANT

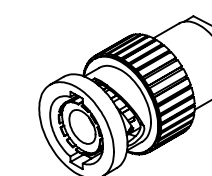
BNC Coaxial Feedthrough, 1/2/3 Pin, Grounded Shield, Double Ended, 2.75" Conflat Flange, UHV Compatible



UNLESS OTHERWISE SPECIFIED:		QUOTATION #		N/A		
DIMENSIONS ARE IN INCHES		NAME	DATE	MPF PRODUCTS INC.		
TOLERANCES:		DRAWN	WJ			9/11/2015
ANGULAR: MACH ± 1/2°		CHECKED				9/11/2015
TWO PLACE DECIMAL ± .030		ENG APPR.	WJ			9/11/2015
THREE PLACE DECIMAL ± .015		THIRD ANGLE:		TITLE: BNC COAXIAL FEEDTHROUGH, 1/2/3 PIN, GROUNDED SHIELD, DOUBLE ENDED, 2.75" CONFLAT FLANGE		
MATERIAL						
APPLICATION		NEXT ASSY USED ON				
FINISH		SURFACE FINISH: 63 OR BETTER		DOWNLOADED FROM MPFPI.COM		
PLATING		UNLESS OTHERWISE SPECIFIED:		DWG. NO. REV		
		ALL DIAMETERS CONCENTRIC WITHIN .005. REMOVE ALL BURRS AND SHARP EDGES		A0473 BNC		
				Monday, January 21, 2019 9:24:22 AM		



PART #	AIRSIDE CONNECTOR INCLUDED
A7231-1-CF	YES
A7231-2-CF	NO



NOTE:

1. SHIELD: GROUNDED
2. VOLTAGE: 500 VOLTS DC
3. CURRENT: 3 AMPS
4. TEMPERATURE RATING: -200 TO 450°C (FEEDTHROUGH), 65 TO 165°C (AIRSIDE CONNECTOR)
5. IMPEDANCE: NON-CONSTANT

BNC Coaxial Feedthrough, 4 Pins, Grounded Shield, Double Ended, 4.50" Conflat Flange, UHV Compatible

UNLESS OTHERWISE SPECIFIED:	QUOTATION #	N/A	
DIMENSIONS ARE IN INCHES TOLERANCES:	NAME	DATE	MPF PRODUCTS INC.
ANGULAR: MACH ± 1/2°	DRAWN	9/11/2015	
TWO PLACE DECIMAL ± .030	CHECKED	9/11/2015	
THREE PLACE DECIMAL ± .015	ENG APPR.	9/11/2015	
MATERIAL	THIRD ANGLE:		
FINISH	APPLICATION	TITLE: BNC COAXIAL FEEDTHROUGH, 4 PINS, GROUNDED SHIELD, DOUBLE ENDED, 4.50" CONFLAT FLANGE DWG. NO. A7231 REV.	
PLATING	SURFACE FINISH: 63 OR BETTER	DOWNLOAD FROM MPFPI.COM DWG. NO. A7231 REV.	
	UNLESS OTHERWISE SPECIFIED:	ALL DIAMETERS CONCENTRIC WITHIN .005. REMOVE ALL BURRS AND SHARP EDGES	
		Wednesday, October 10, 2018 8:54:41 AM	