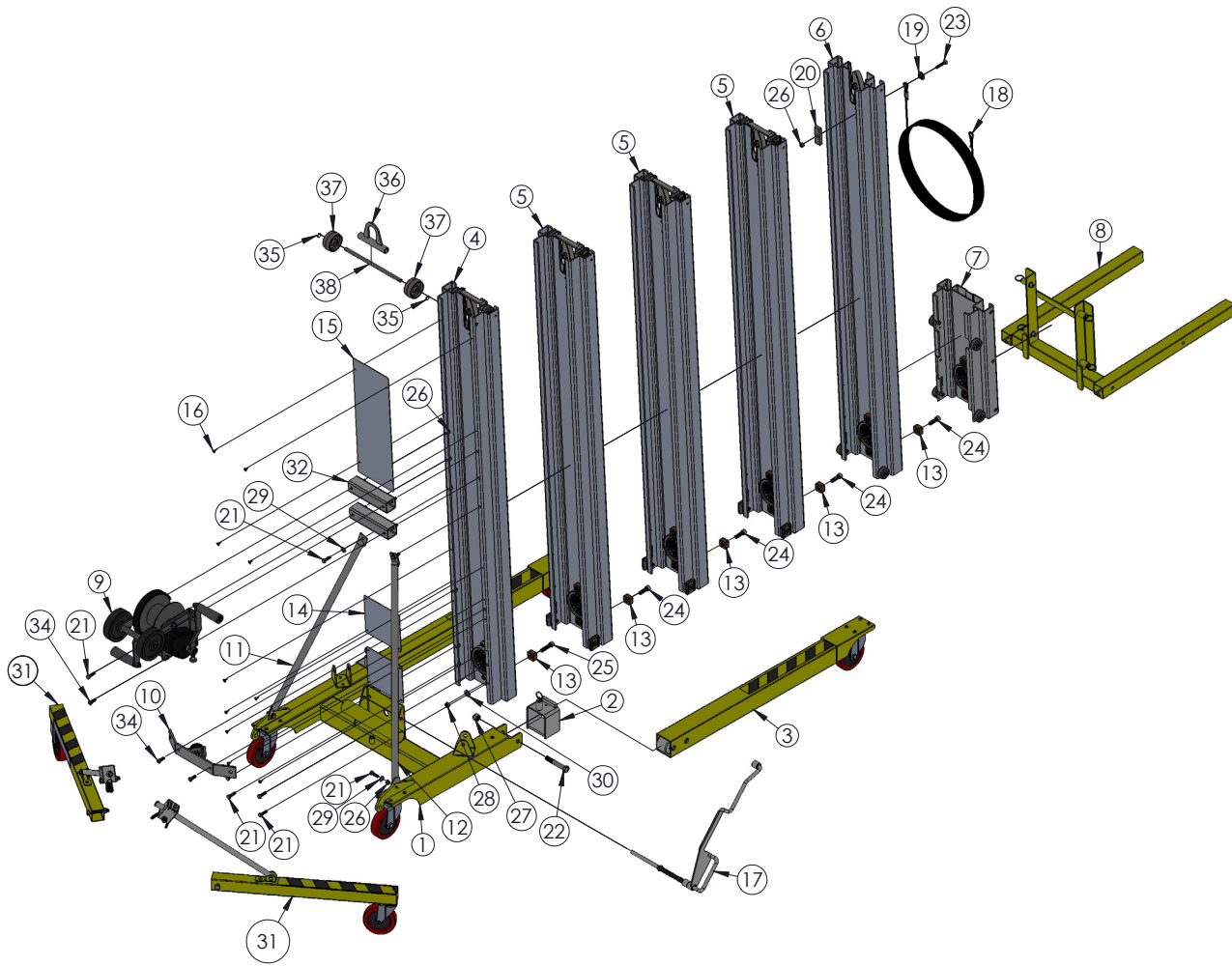


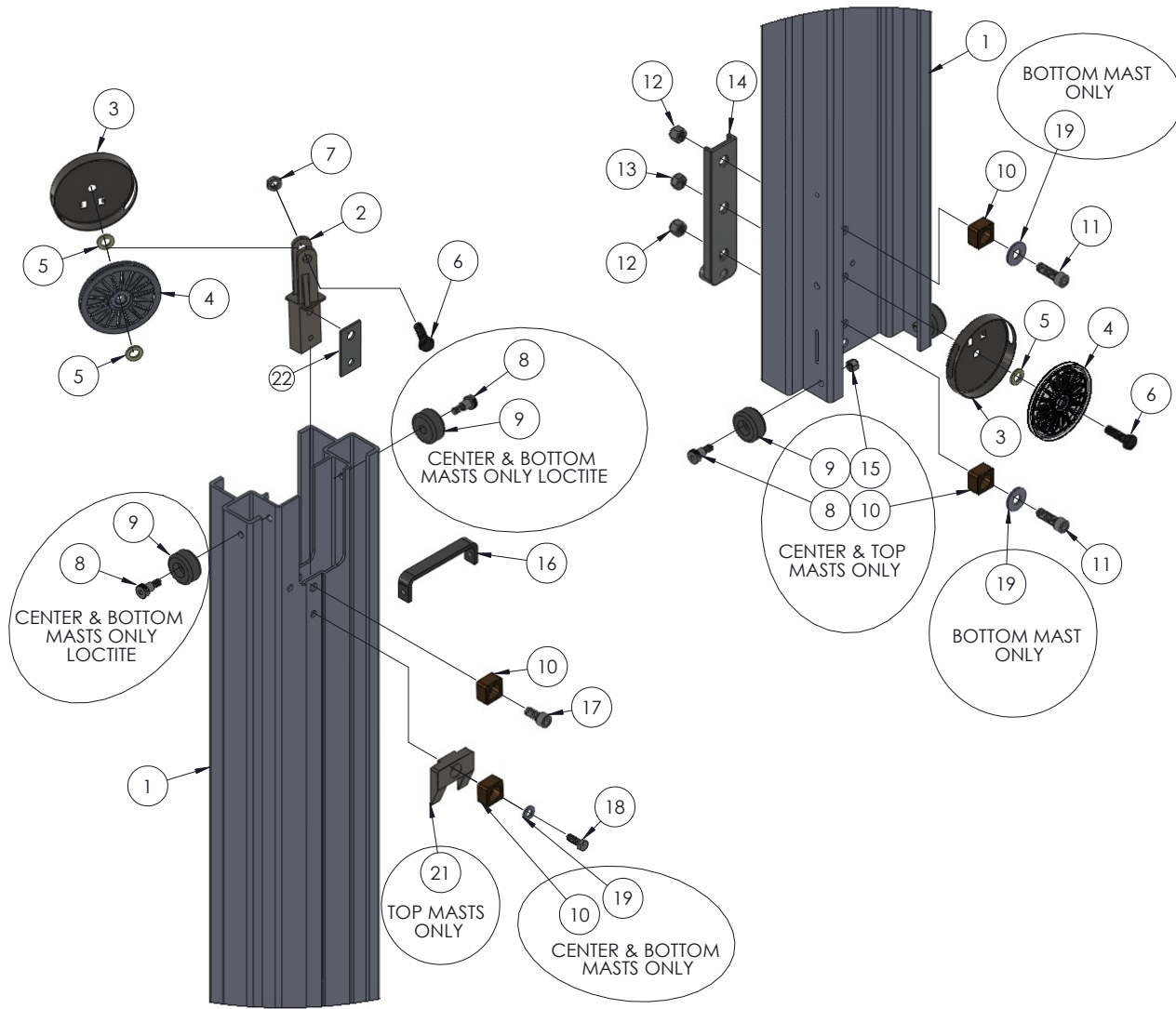
SERIES 2000 LIFT ASSEMBLY



ITEM NO.	PART NUMBER	DESCRIPTION	QTY.
35	774053	PIN, COTTER CIRCLE 3/4"	2
36	786585	LIFTING HOOK WELDMENT	1
37	779012	WHEEL, POLYOLEFIN 3"	2
38	783620	SHAFT, ROLLER	1

ITEM NO.	PART NUMBER	DESCRIPTION	QTY.
1	783750	BASE ASSEMBLY, 2100 LIFT	1
2	783746	LEG LOCK ASSEMBLY, 2100 SERIES	2
3	783730	FRONT LEG ASSEMBLY 10/12/15	2
3	783739	FRONT LEG ASSEMBLY 18/20/24/25	2
4	783824	BTM MAST ASSEMBLY-HD	1
5	783825	CTR MAST ASSEMBLY-HD-MODEL 2015	1
5	783825	CTR MAST ASSEMBLY-HD-MODEL 2020	2
5	783825	CTR MAST ASSEMBLY-HD-MODEL 2025	3
6	783826	TOP MAST ASSEMBLY-HD	1
7	783533	CARRIAGE ASSEMBLY	1
8	783653	STANDARD FORK ASSEMBLY	1
9	784490	NL WINCH ASSEMBLY	1
10	783582	SPREADER PLATE ASSEMBLY	1
11	780819	BRACE MAST LEFT	1
12	780820	BRACE MAST RIGHT	1
13	783575	STOP BLOCK--2010	2
13	783575	STOP BLOCK--2015	3
13	783575	STOP BLOCK--2020	4
13	783575	STOP BLOCK--2025	5
14	783916	MAST COVER ALUM BTM 2000/2100/2600	2
15	783918	MAST COVER ALUM TOP 2000/2100/2600	1
16	776055	SCREW, SM #8 X 3/4 SELF TAPPING	12
17	783040	MAST HOLD DOWN BAR TYPE 2100	1
18	783886	LOAD LINE ASSEMBLY, 2010 LIFT	1
18	783834	LOAD LINE ASSEMBLY, 2015 LIFT	1
18	783887	LOAD LINE ASSEMBLY, 2020 LIFT	1
18	783856	LOAD LINE ASSEMBLY, 2025 LIFT	1
19	782910	ROPE RET. WASHER	1
20	783551	LOCK BLOCK	1
21	771060	SCREW, HHC 3/8-16X1.25"LN--2015,2020,2025	14
21	771060	SCREW, HHC 3/8-16X1.25"LN--2010	18
22	771146	SCREW, HHC 5/8-11X4"LN	2
23	771248	SCREW, FHSC 3/8-16 X 2"LN	1
24	771257	SCREW, SHC 1/2 - 13 X 1 - 1/2--2010	2
24	771257	SCREW, SHC 1/2 - 13 X 1 - 1/2--2015	3
24	771257	SCREW, SHC 1/2 - 13 X 1 - 1/2--2020	4
24	771257	SCREW, SHC 1/2 - 13 X 1 - 1/2--2025	5
25	771252	SCREW, SHC 1/2-13X2"LN	1
26	772355	NUT, INSERT LOCK 3/8-16"	15
26	772355	NUT, INSERT LOCK 3/8-16"--2010	19
27	772503	NUT, INSERT JAM 5/8-11	2
28	772358	NUT, INSERT JAM 1/2 - 13	1
29	773040	WASHER, FLAT 3/8	4
30	773094	WASHER, FLAT 1/2 SAE	1
31	783935	OUTRIGGER ASSEMBLY 2000/2100	1
32	783552	STANDOFF-2112	2
33	778382	LABEL KIT, 2000 SERIES LIFT	1
34	771107	SCREW, HHC 3/8-16 X 1	8

UPPER AND LOWER MAST ASSEMBLY

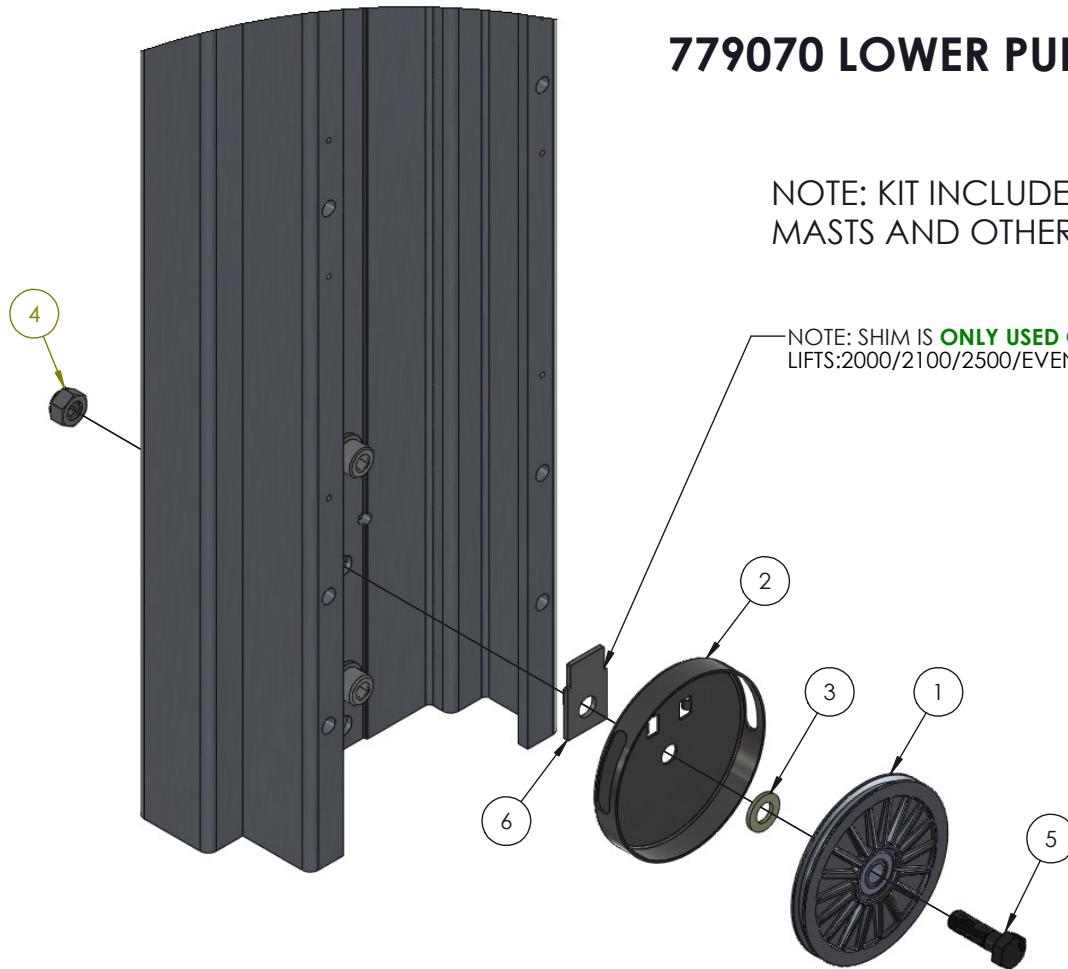


ITEM NO.	PART NUMBER	DESCRIPTION	QTY.
1	783808	MAST FABRICATION	2
2	783489	UPPER PULLEY BRACKET, 2600 SERIES	1
3	783536	PULLEY GUARD	2
4	783921	PULLEY ASSEMBLY	2
5	773108	WASHER, FLAT 7/16" GRADE 8	3
6	771166	M12-1.75 x 40MM HI-STRENGTH 10.9 GRADE	2
7	772505	NUT, INSERT JAM M12	1
8	771350	SCREW, SHOULDER 1/2 X 1/2 (TOP QTY 2)	2
8	771350	SCREW, SHOULDER 1/2 X 1/2 (CENTER QTY 4)	4
8	771350	SCREW, SHOULDER 1/2 X 1/2 (BOTTOM QTY 2)	2
9	783540	MAST ROLLER (TOP QTY 2)	2
9	783540	MAST ROLLER (CENTER QTY 4)	4
9	783540	MAST ROLLER (BOTTOM QTY 2)	2
10	783575	STOP BLOCK (TOP 2)	2
10	783575	STOP BLOCK (CENTER 4)	4
10	783575	STOP BLOCK (BOTTOM 2)	2
11	771257	SCREW, SHC 1/2 - 13 X 1 - 1/2	2
12	772357	NUT, INSERT LOCK 1/2 - 13	2
13	772800	NUT, INSERT LOCK 12MM	1
14	783478	BACK PLATE WELDMENT	1
15	772350	NUT, INSERT JAM 3/8 - 16 (TOP QTY 2)	2
15	772350	NUT, INSERT JAM 3/8 - 16 (CENTER QTY 2)	2
16	783649	TOP REINFORCEMENT BRACKET (CENTER QTY 1)	1
16	783649	TOP REINFORCEMENT BRACKET (BOTTOM QTY 1)	1
17	771258	SCREW, SHC 1/2-13 X 1	1
18	771107	SCREW, HHC 3/8-16 X 1	1
19	773060	WASHER, FLAT 1/2 USS	2
20	773022	WASHER, FLAT 3/8 SAE HARDENED (CENTER QTY 1)	1
20	773022	WASHER, FLAT 3/8 SAE HARDENED (BOTTOM QTY 1)	1
21	783694	STOP BLOCK WEDGE	1
22	783484	PLATE, TOP PULLEY MOUNT 2600	1
23	779070	LOWER PULLEY KIT (NOT PICTURED)	1
24	783924	UPPER PULLEY KIT (NOT PICTURED)	1

LOWER PULLEY KIT ASSEMBLY

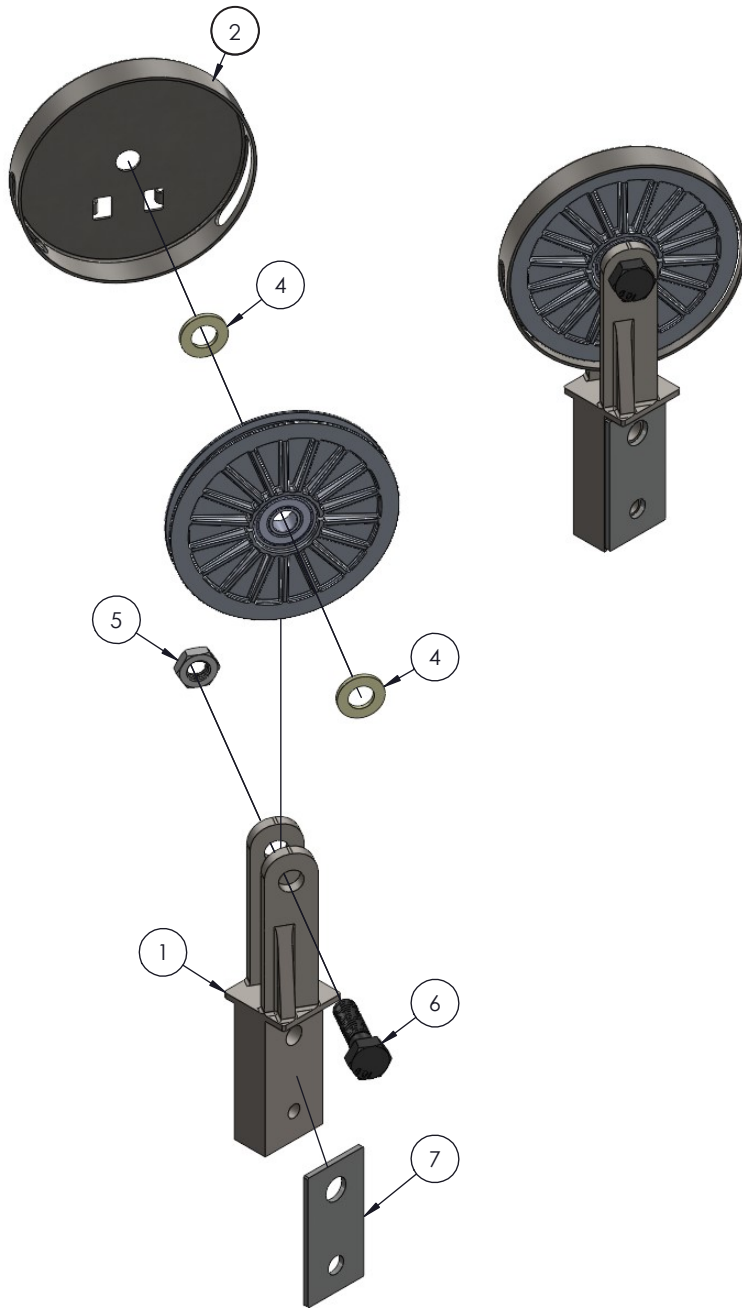
779070 LOWER PULLEY KIT

NOTE: KIT INCLUDES PARTS 1,2,3,4,5.
MASTS AND OTHER HARDWARE FOR ASSEMBLY REFERENCE ONLY.



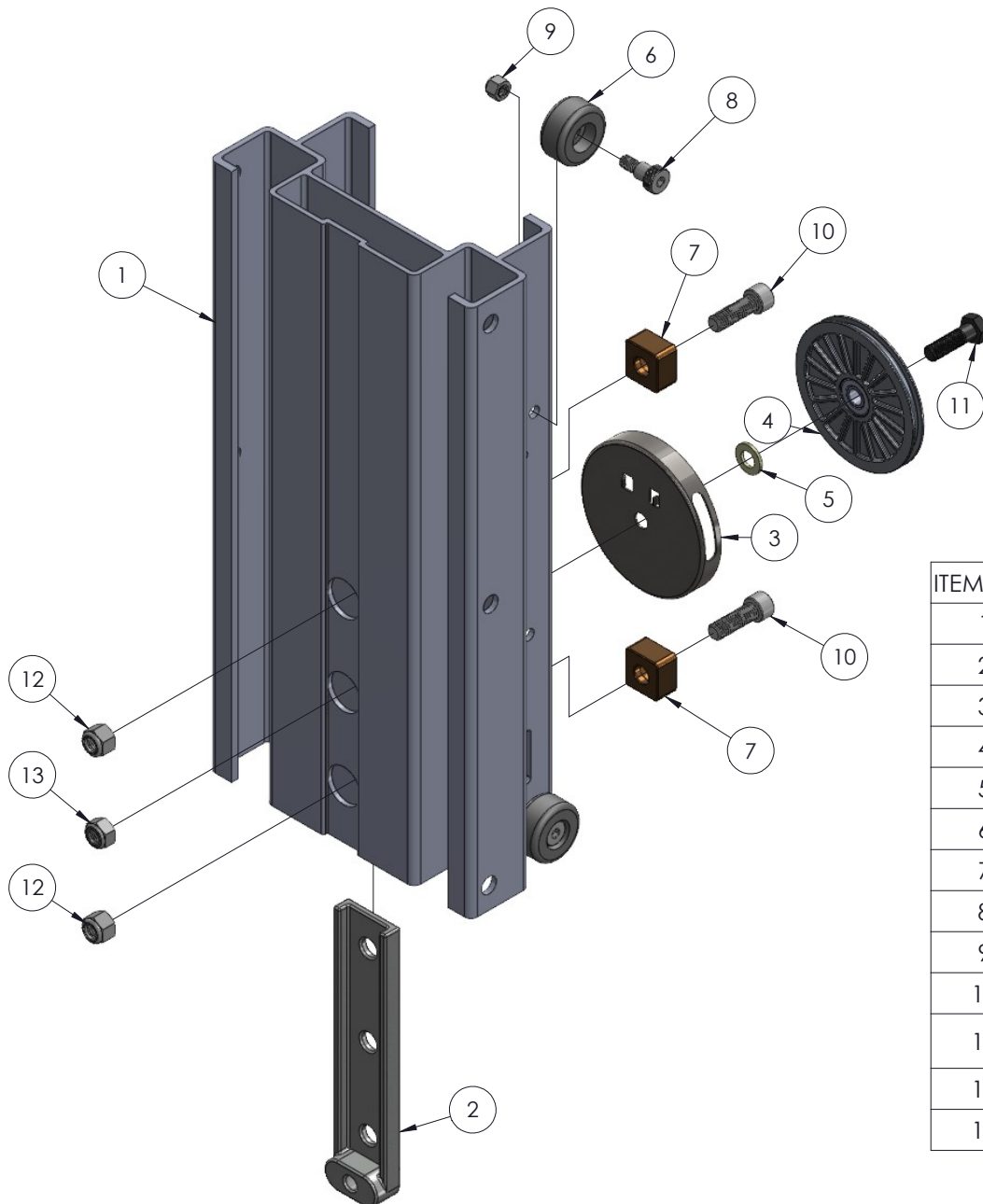
ITEM NO.	PART NUMBER	DESCRIPTION	QTY.
1	783921	PULLEY ASSEMBLY	1
2	783536	PULLEY GUARD	1
3	773108	WASHER, FLAT 7/16" GRADE 8	1
4	772505	NUT, INSERT JAM M12	1
5	771166	High-Strength Class 10.9 Steel Hex Head Screw	1
6	783069	SHIM, 2600 PULLEY GUARD	1

UPPER PULLEY KIT ASSEMBLY



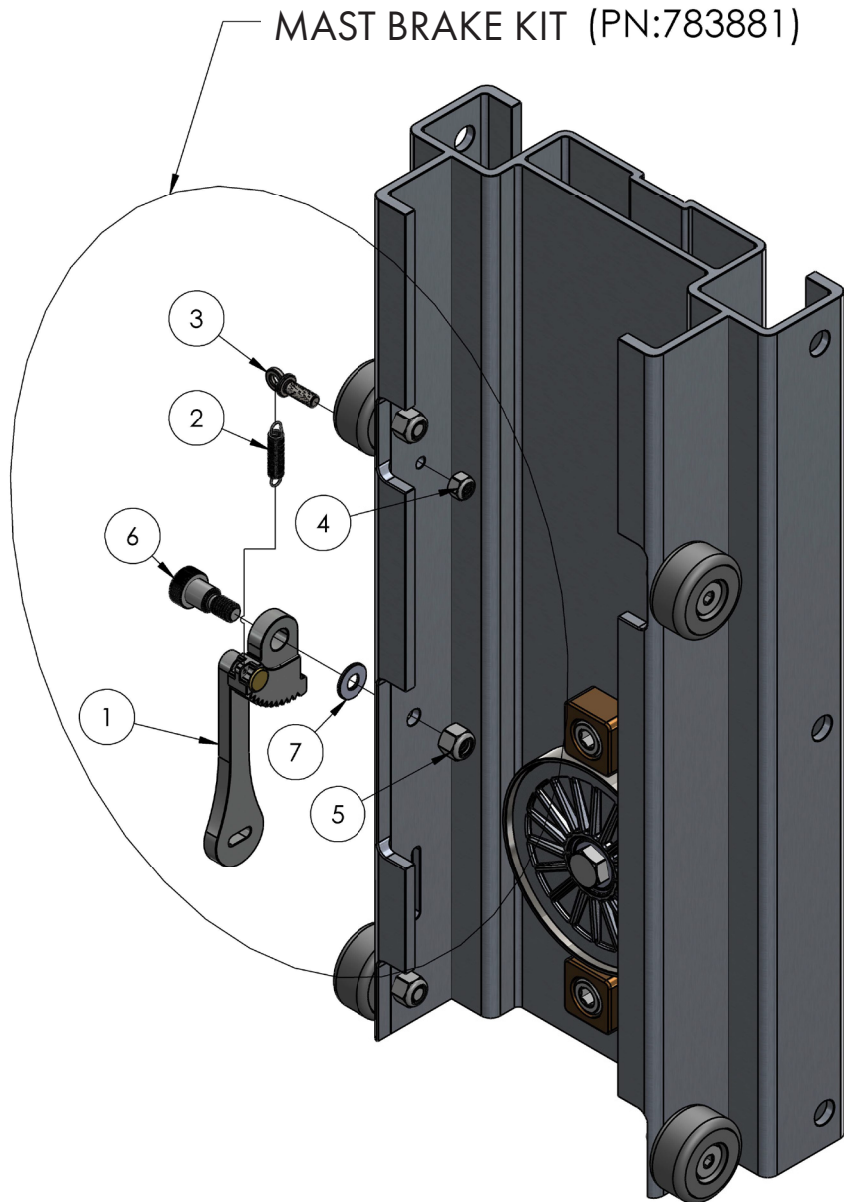
ITEM NO.	PART NUMBER	DESCRIPTION	QTY.
1	783489	UPPER PULLEY BRACKET, 2600 SERIES	1
2	783536	PULLEY GUARD	1
3	783921	PULLEY ASSEMBLY	1
4	773108	WASHER, FLAT 7/16" GRADE 8	2
5	772505	NUT, INSERT JAM M12	1
6	771166	High-Strength Class 10.9 Steel Hex Head Screw	1
7	783484	PLATE, TOP PULLEY MOUNT 2600	1

CARRIAGE ASSEMBLY



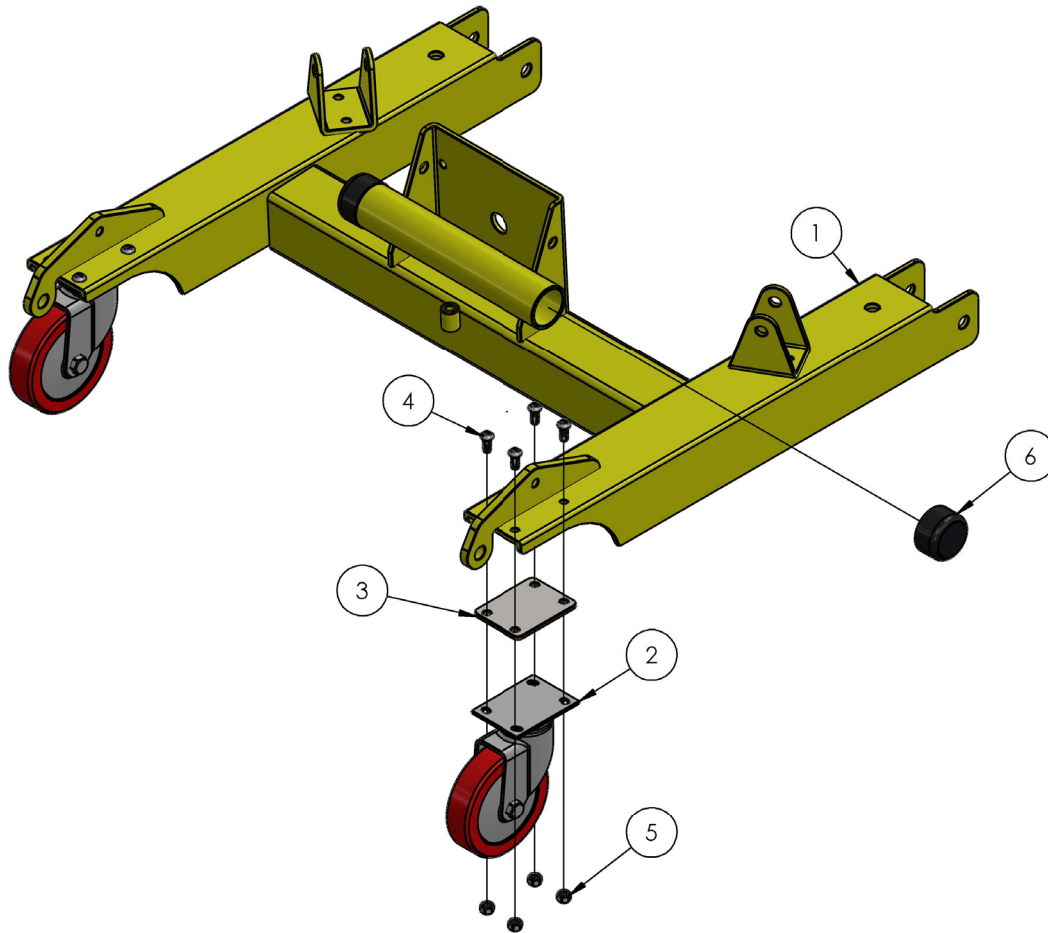
ITEM NO.	PART NUMBER	DESCRIPTION	QTY.
1	783534	CARRIAGE	1
2	783478	BACK PLATE WELDMENT	1
3	783536	PULLEY GUARD	1
4	783921	PULLEY ASSEMBLY	1
5	773108	WASHER, FLAT 7/16" GRADE 8	1
6	783540	MAST ROLLER	4
7	783575	STOP BLOCK	2
8	771350	SCREW, SHOULDER 1/2 X 1/2	4
9	772350	NUT, INSERT JAM 3/8 - 16	4
10	771257	SCREW, SHC 1/2 - 13 X 1 - 1/2	2
11	771166	M12-1.75 x 40MM HI-STRENGTH 10.9 GRADE	1
12	772357	NUT, INSERT LOCK 1/2 - 13	2
13	772800	NUT, INSERT LOCK 12MM	1

MAST BRAKE INSTALLATION



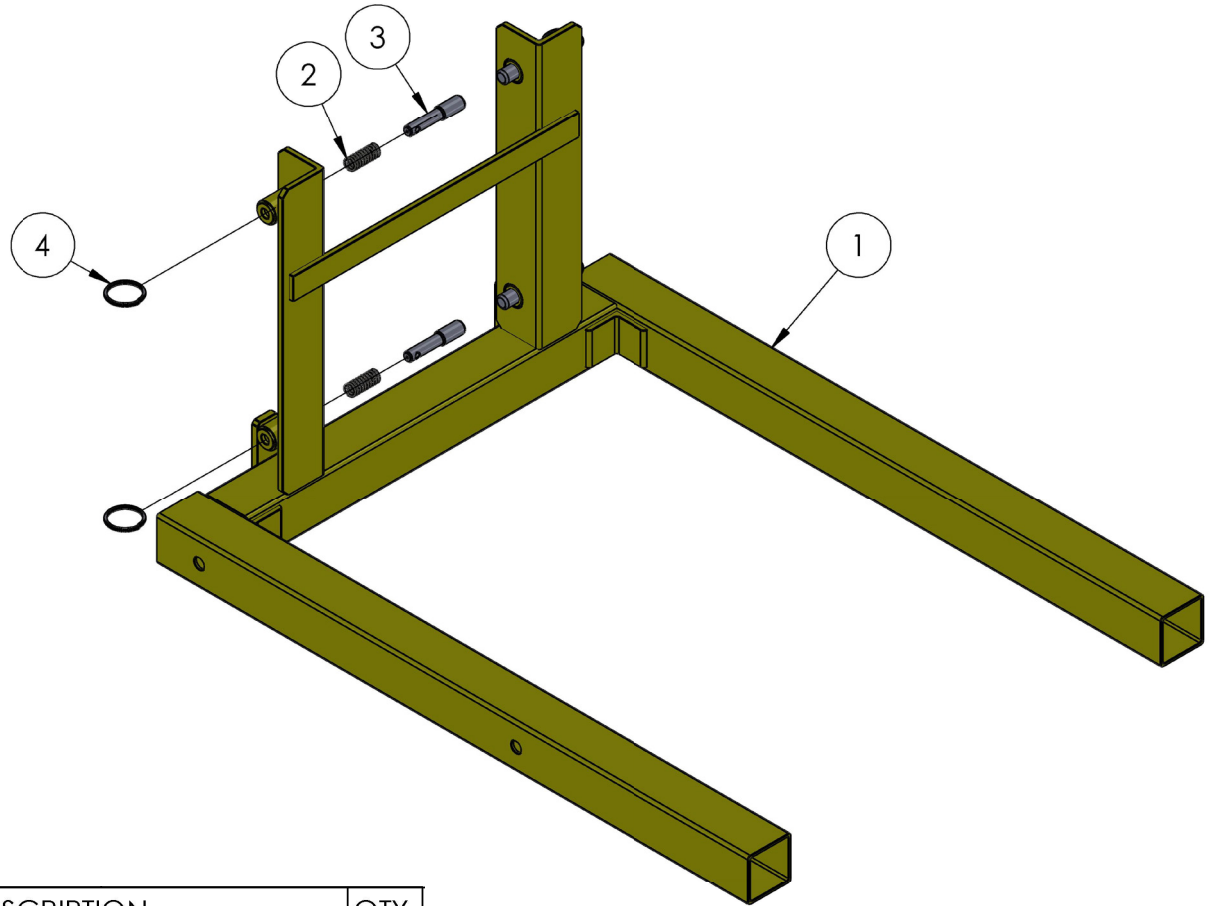
ITEM NO.	PART NUMBER	DESCRIPTION	QTY.
1	783529	MAST BRAKE ASSEMBLY	1
2	783530	BRAKE SPRING	1
3	779900	SCREW, ADJUSTING (OHIO ES2112) EYE BOLT	1
4	772076	NUT, INSERT LOCK 1/4-20	1
5	772350	NUT, INSERT JAM 3/8 - 16	1
6	771350	SCREW, SHOULDER 1/2 X 1/2	1
7	773042	WASHER, FLAT 5/16	1

BASE ASSEMBLY



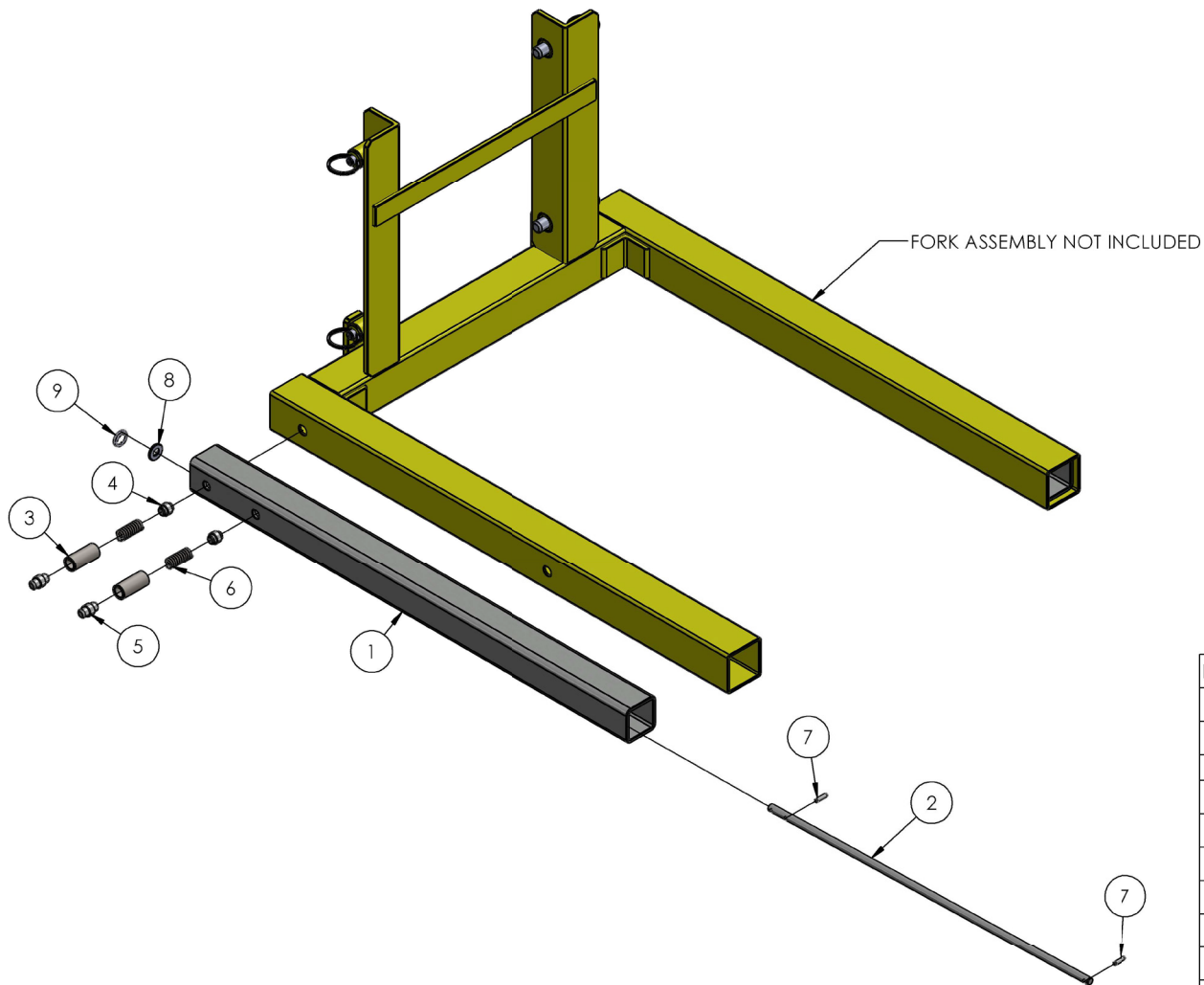
ITEM NO.	PART NUMBER	DESCRIPTION	QTY.
1	783749	BASE WELDMENT, 2100 SERIES	1
1	783499	BASE WELDMENT, 2100 SERIES GALV	1
2	779005	CASTER, 5" PLATE SWIVEL (RED)	2
3	773098	SPACER 2-3/4 X 3-34 X 1/8" THK	2
4	771269	SCREW, BHC 5/16-18 X 0.75	8
5	772502	NUT, INSERT JAM 5/16-18	8
6	779905	CAP, 2" OD TUBE, BLACK	2

STANDARD FORK ASSEMBLY



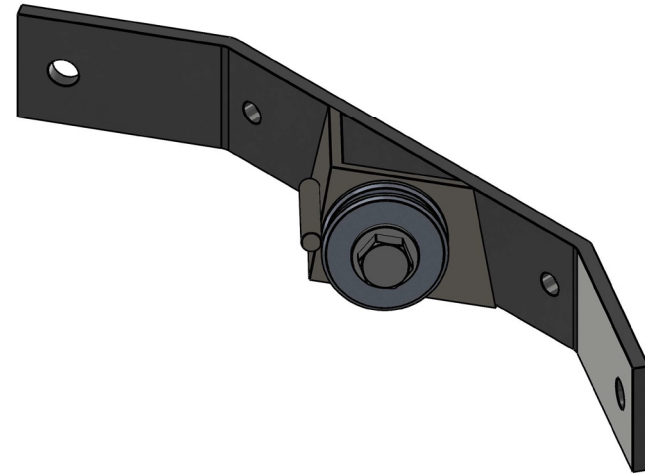
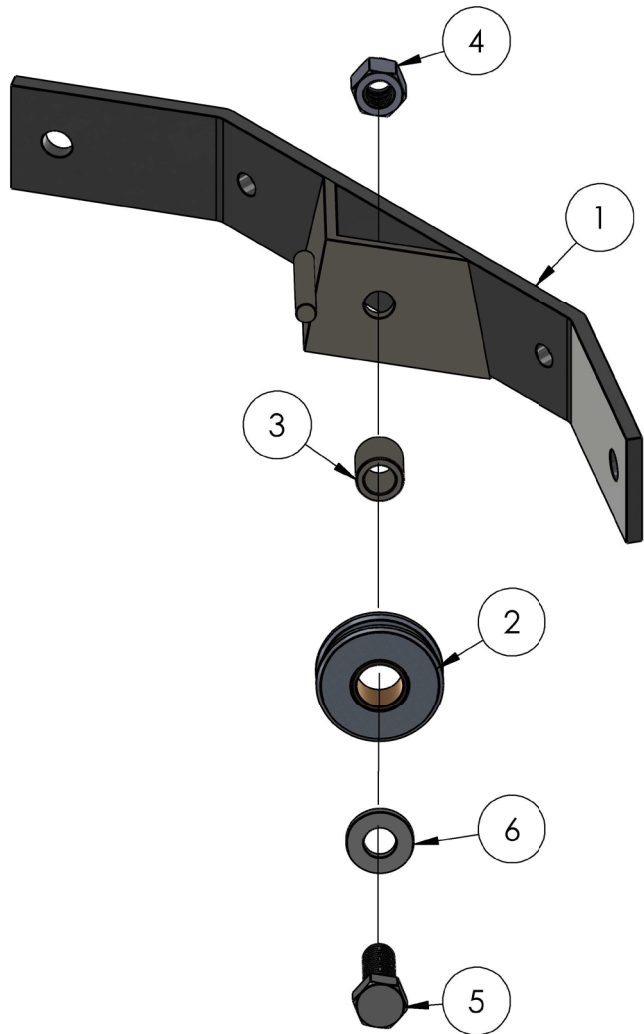
ITEM NO.	PART NUMBER	DESCRIPTION	QTY.
1	783547	FORK WELDMENT, 2000/2100 LIFT	1
1	783496	FORK WELDMENT GALV	1
2	776212	SPRING, #DWC - 042 - G - 9	4
3	782510	PLUNGER	4
4	775110	SPLIT RING 1-1/4" NICKEL PLATED	4

FORK EXTENSION KIT ASSEMBLY



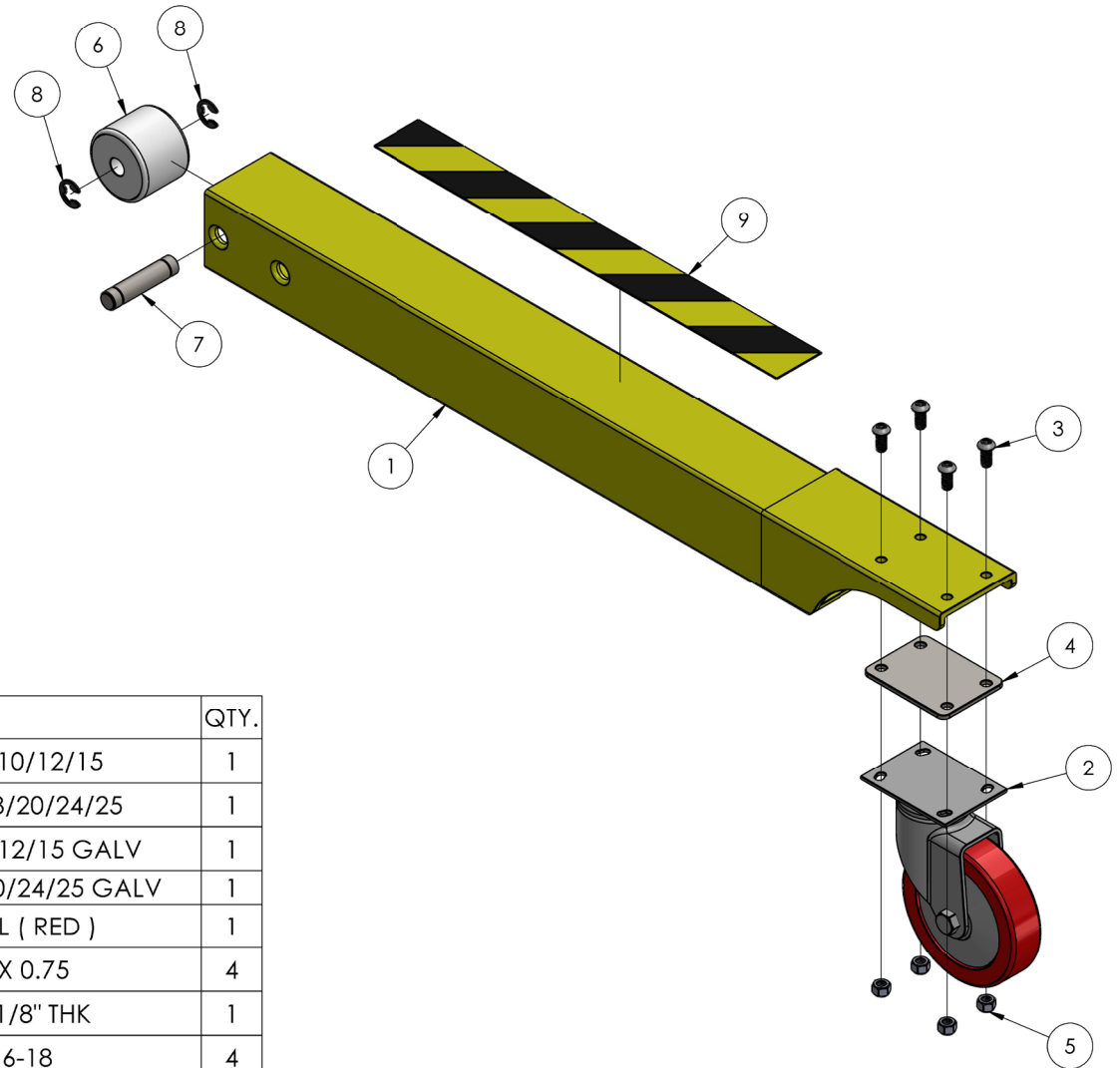
ITEM NO.	PART NUMBER	DESCRIPTION	QTY.
0	783691	FORK EXTENSION INSTALL KIT	1
1	783588	FORK EXTENSION WELDMENT	2
2	783789	FORK EXTENSION LIMIT ROD, 2000/2100	2
3	774035	SPACER, BUTTITE 1/2 X 1.453"	4
4	783508	PIN LOCATOR	4
5	783509	PIN DETENT	4
6	776212	SPRING, #DWC - 042 - G - 9	4
7	774092	PIN, ROLL 1/8 X 6.25	4
8	773042	WASHER, FLAT 5/16	2
9	774053	COTTER, CIRCLE Z/P 0.048 X 0.75"	2

SPREADER PLATE ASSEMBLY



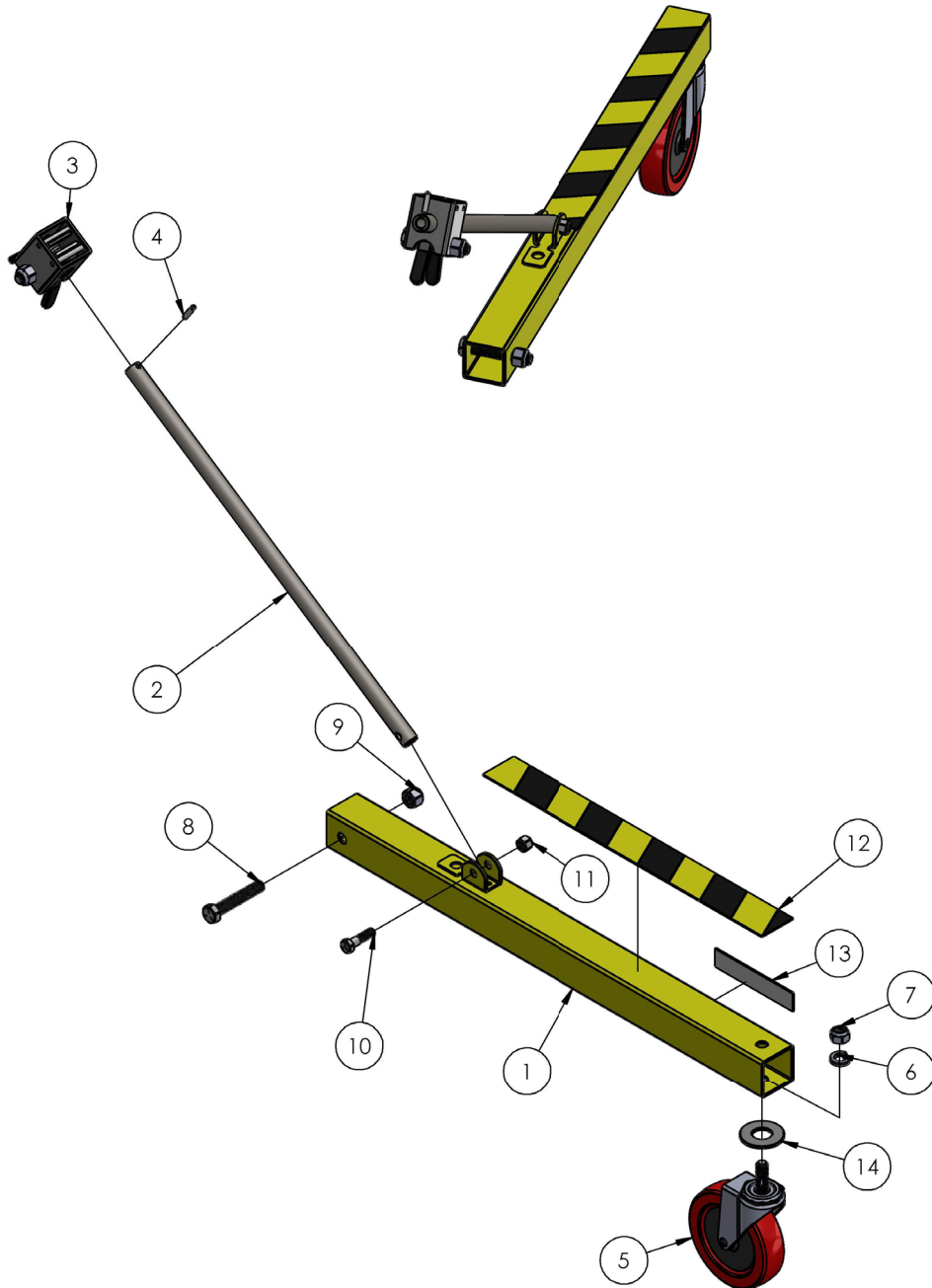
ITEM NO.	PART NUMBER	DESCRIPTION	QTY.
1	783581	SPREADER PLATE WELDMENT	1
2	780025	SHEAVE, RAB-222 (2"") Z-22	1
3	782960	ROLLER SHAFT, CARR.715/720	1
4	772358	NUT, INSERT JAM 1/2 -13	1
5	771120	SCREW, HHC 1/2-13 x 1.5" LN	1
6	773094	WASHER, FLAT 1/2 SAE	1

FRONT LEG ASSEMBLY



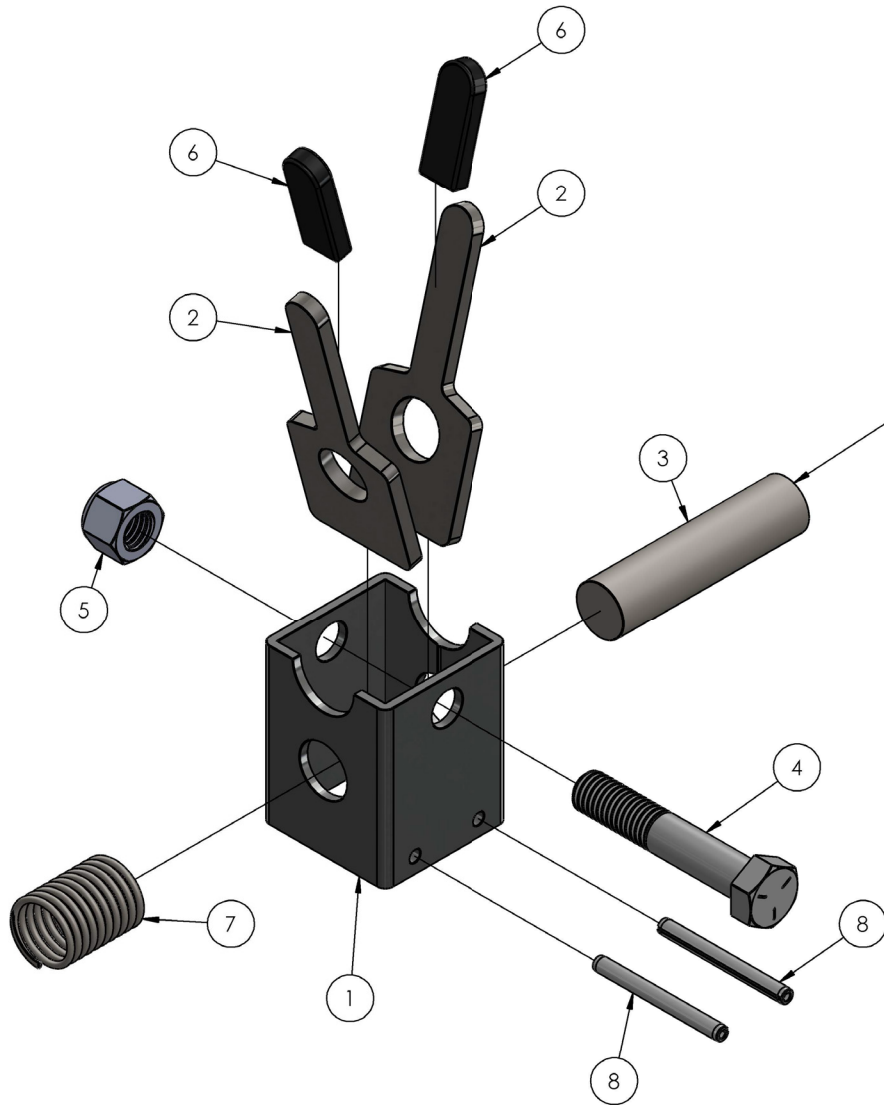
ITEM NO.	PART NUMBER	DESCRIPTION	QTY.
1	783732	FRONT LEG WELDMENT, 10/12/15	1
1	783738	FRONT LEG WELDMENT, 18/20/24/25	1
1	783498	FRONT LEG WELDMENT, 10/12/15 GALV	1
1	783497	FRONT LEG WELDMENT, 18/20/24/25 GALV	1
2	779005	CASTER, 5" PLATE SWIVEL (RED)	1
3	771269	SCREW, BHC 5/16-18 X 0.75	4
4	773098	SPACER 2-3/4 X 3-34 X 1/8" THK	1
5	772502	NUT, INSERT JAM 5/16-18	4
6	783569	ROLLER LEG	1
7	783644	SHAFT, LEG ROLLER	1
8	776077	RETAINER RING #5133-62	2
9	778352	TAPE, 2" B/Y CAUTION STRIP (SEE NOTE)	1

OUTRIGGER ASSEMBLY



ITEM NO.	PART NUMBER	DESCRIPTION	QTY.
1	783528	LEG WELDMENT, OUTRIGGER	2
2	783938	OUTRIGGER SUPPORT TUBE, 2500	2
3	783940	OUTRIGGER LOCK ASSEMBLY	2
4	774080	PIN ROLL 3/16 X 1.0" LN	2
5	779002	CASTER, 125 X 32 12MM STEM	2
6	773590	WASHER, LOCK 1/2	2
7	772801	NUT, HEX 12MM ZINC PLATED	2
8	771142	SCREW, HHC 1/2-13 X 3"	2
9	772358	NUT, INSERT JAM 1/2 -13	2
10	771090	SCREW, HHC 3/8-16 X 1.5"	2
11	772350	NUT, INSERT JAM 3/8 - 16	2
12	778352	TAPE, 2" B/Y CAUTION STRIP (SEE NOTE)	2
13	778348	LABEL, LOWER STABILIZER LEG	2
14	773091	WASHER, FLAT 7/8" USS PLATED	2

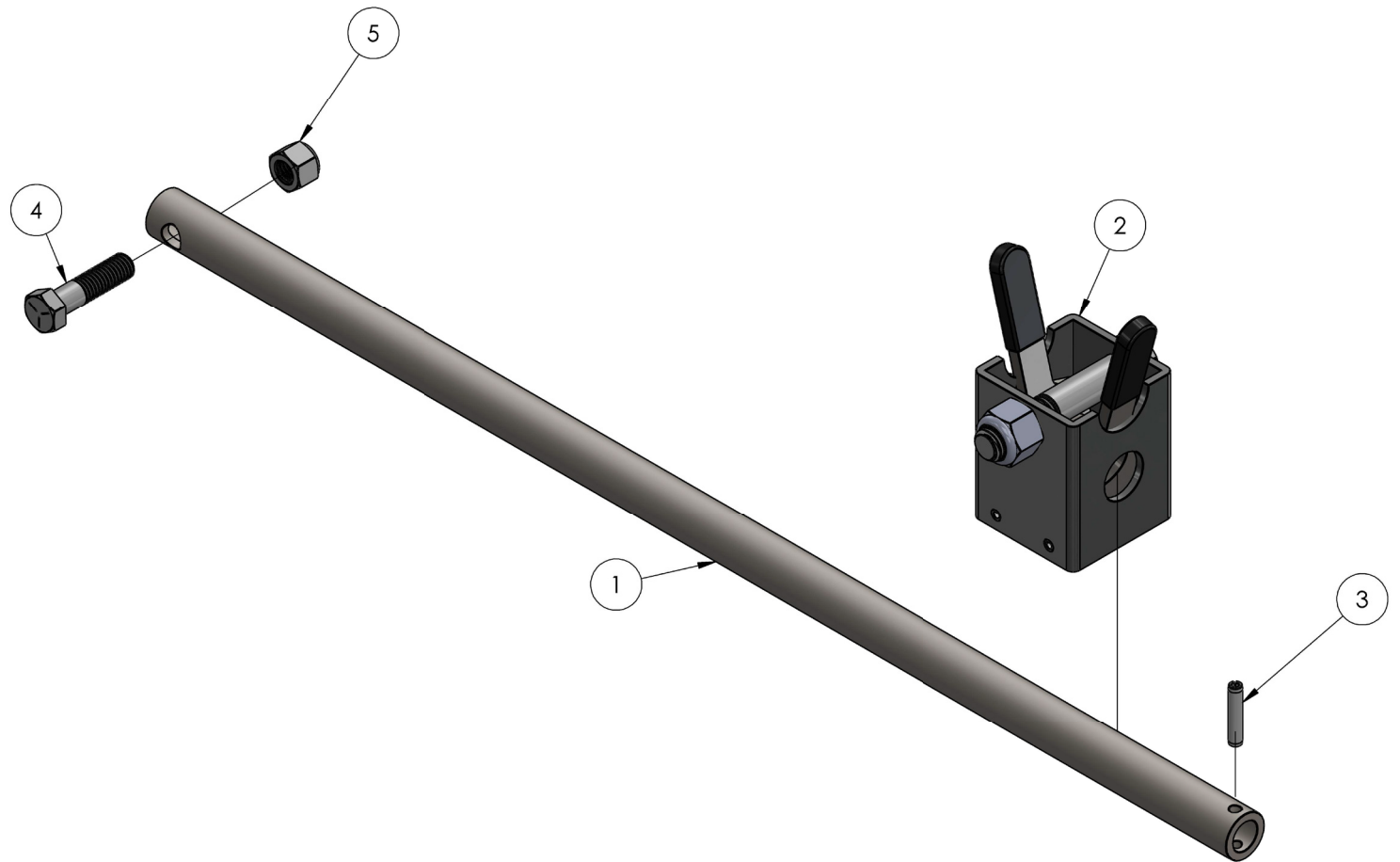
OUTRIGGER LOCK ASSEMBLY



OUTRIGGER SUPPORT TUBE STUB LOCKS ASSEMBLY INSTALLED TO SUPPORT THE ASSEMBLY DURING SHIPMENT AND IS TO BE DISCARDED BEFORE INSTALLATION.

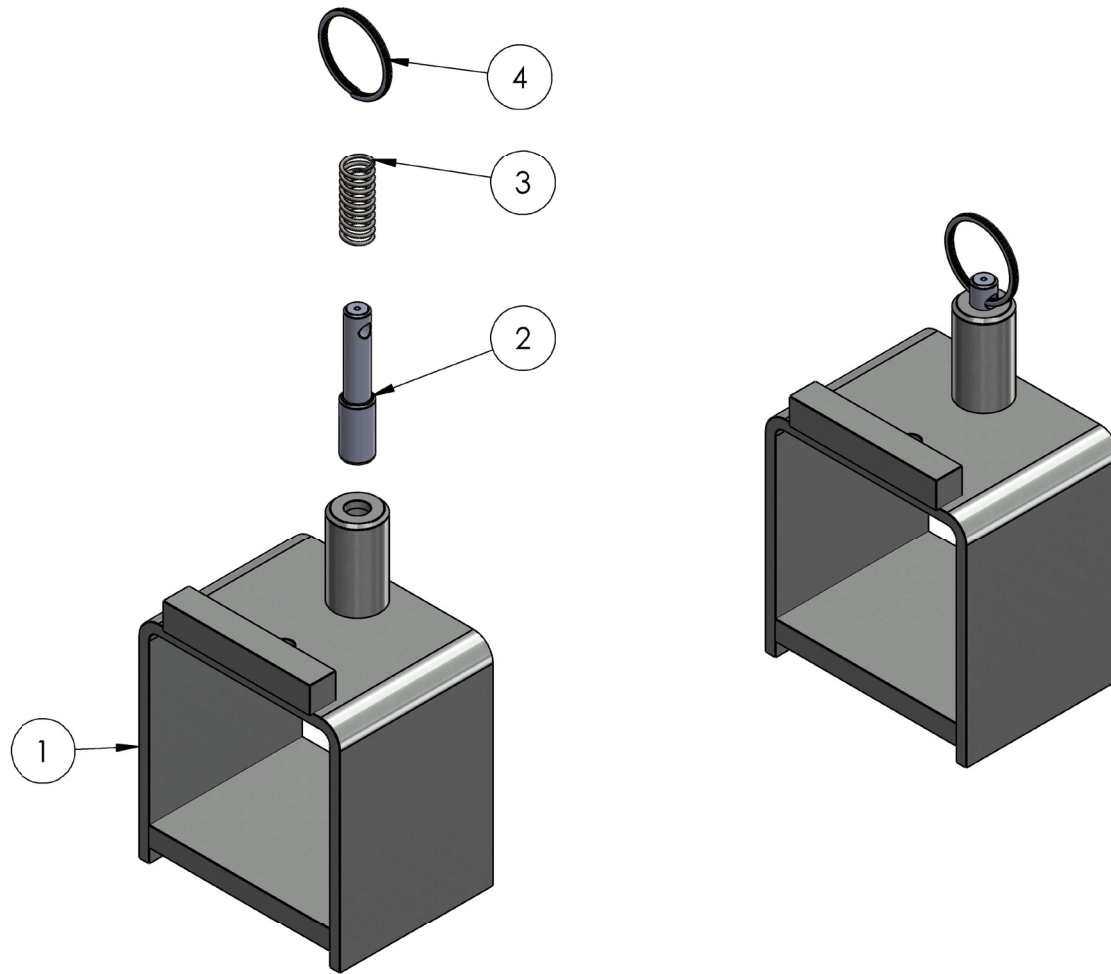
ITEM NO.	PART NUMBER	DESCRIPTION	QTY.
1	783941	OUTRIGGER LOCK TUBE	1
2	783942	OUTRIGGER LOCK FINGER	2
3	783944	OUTRIGGER SUPPORT TUBE STUB	1
4	771141	SCREW, HHC 1/2-13X2.75" LN	1
5	772358	NUT, INSERT JAM 1/2 -13	1
6	779938	CAP, RECT RD END 3/16X0.5X2.0"	2
7	776221	CENTURY SPRING #2952	1
8	774084	PIN, SPRING 3/16X2.0"	2

OUTRIGGER LOCK KIT



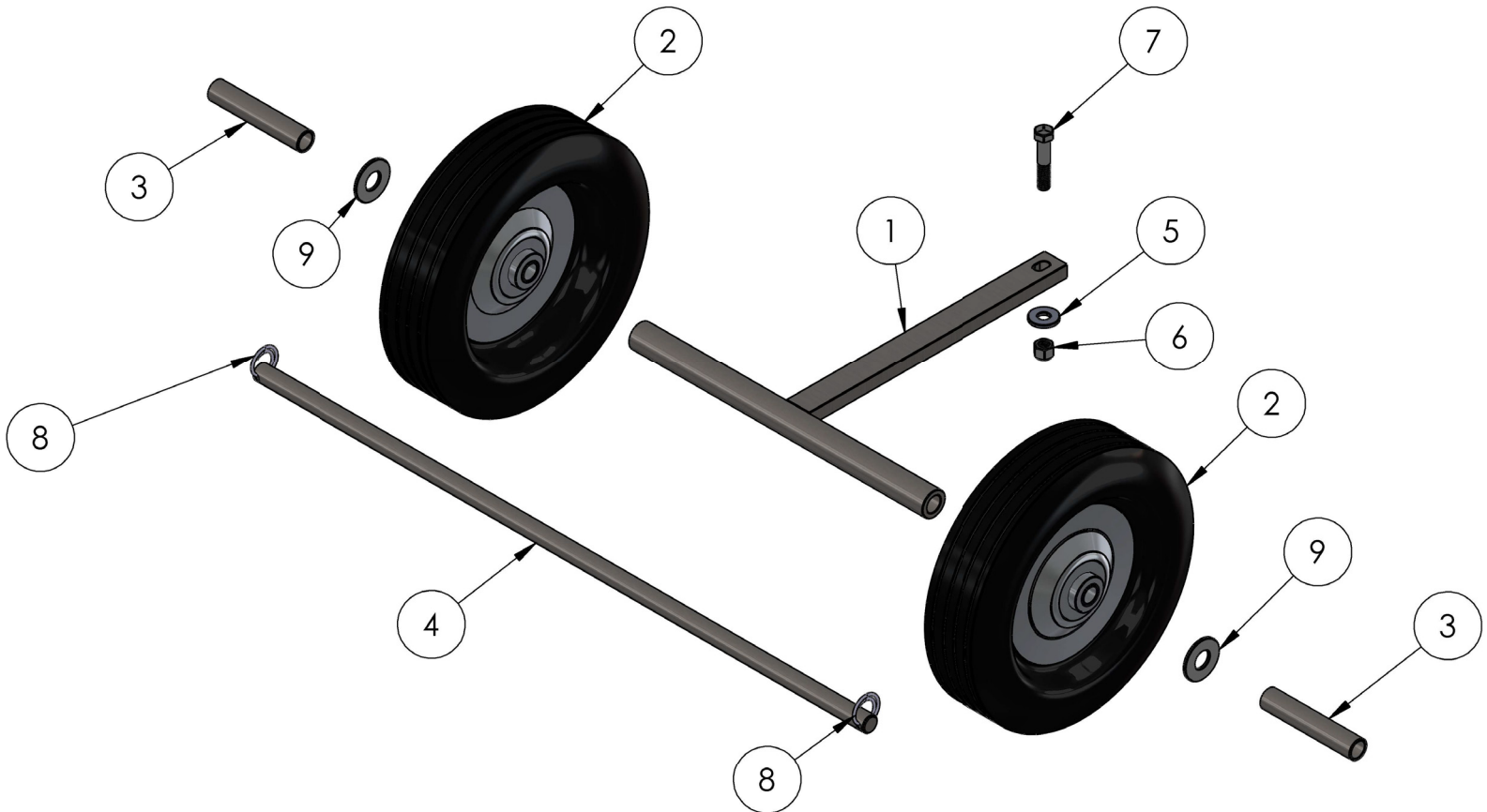
ITEM NO.	PART NUMBER	DESCRIPTION	QTY.
1	783938	OUTRIGGER SUPPORT TUBE, 2500	1
2	783940	OUTRIGGER LOCK ASSEMBLY	1
3	774080	PIN ROLL 3/16 X 1.0" LN	1
4	771090	SCREW, HHC 3/8-16 X 1.5"	1
5	772350	NUT, INSERT JAM 3/8 - 16	1

LEG LOCK ASSEMBLY



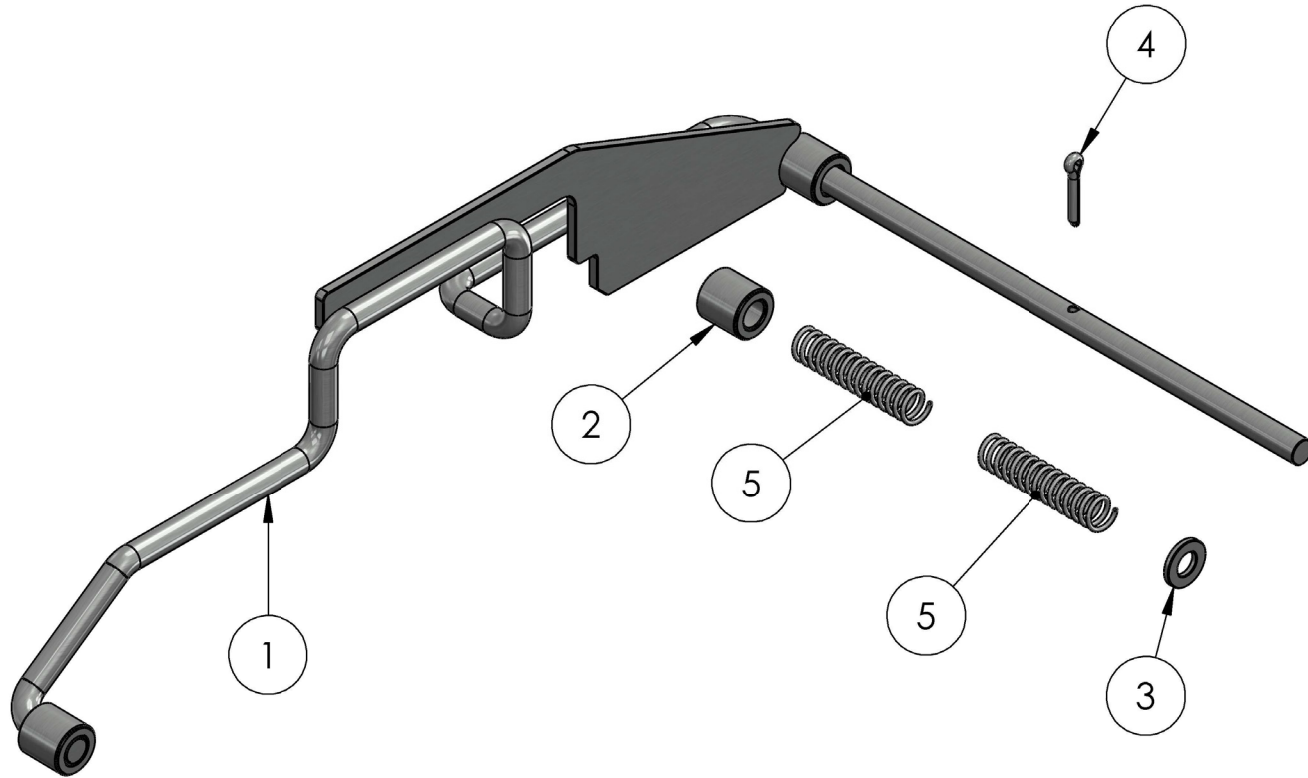
ITEM NO.	PART NUMBER	DESCRIPTION	QTY.
1	783740	LEG LOCK WELDMENT, 2100 SERIES	1
2	782510	PLUNGER	1
3	776212	SPRING, #DWC - 042 - G - 9	1
4	775110	SPLIT RING 1-1/4" NICKEL PLATED	1

10IN. WHEEL KIT



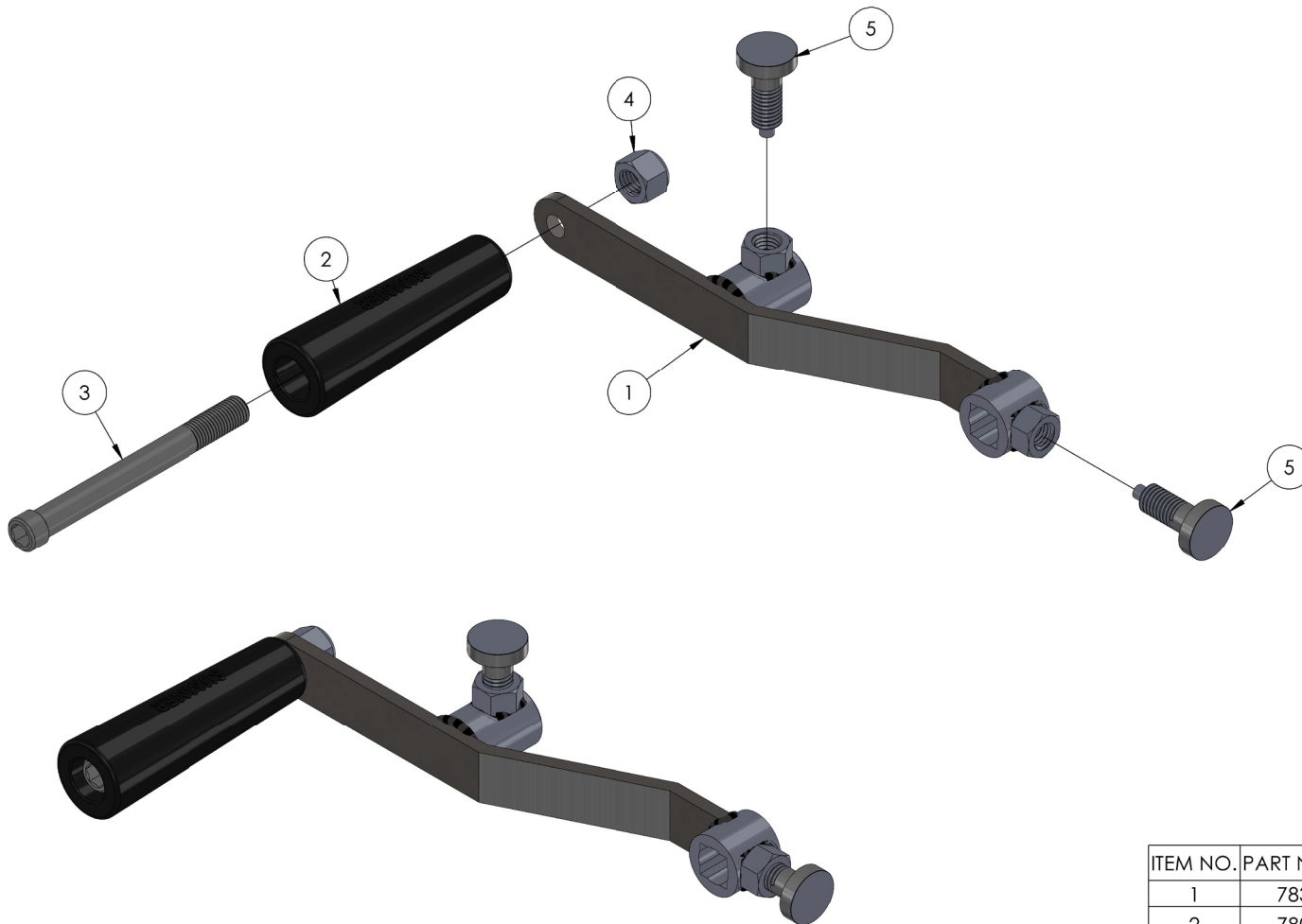
ITEM NO.	PART NUMBER	DESCRIPTION	QTY.
1	783735	AXEL SUPPORT, 2100 SERIES LIFT	1
2	779011	WHEEL, 10" RUBBER TIRE	2
3	774039	SPACER, BUTTITE 5/8 X 4"	2
4	782544	AXLE, MODEL 209	1
5	773040	WASHER, FLAT 3/8"	1
6	772355	NUT, INSERT LOCK 3/8-16	1
7	771112	SCREW, HHC 3/8-16 X 2	1
8	774054	COTTER, CIRCLE Z/P 0.072 X 1.125"	2
9	773051	WASHER, FLAT 5/8 USS	2

MAST HOLD DOWN ASSEMBLY



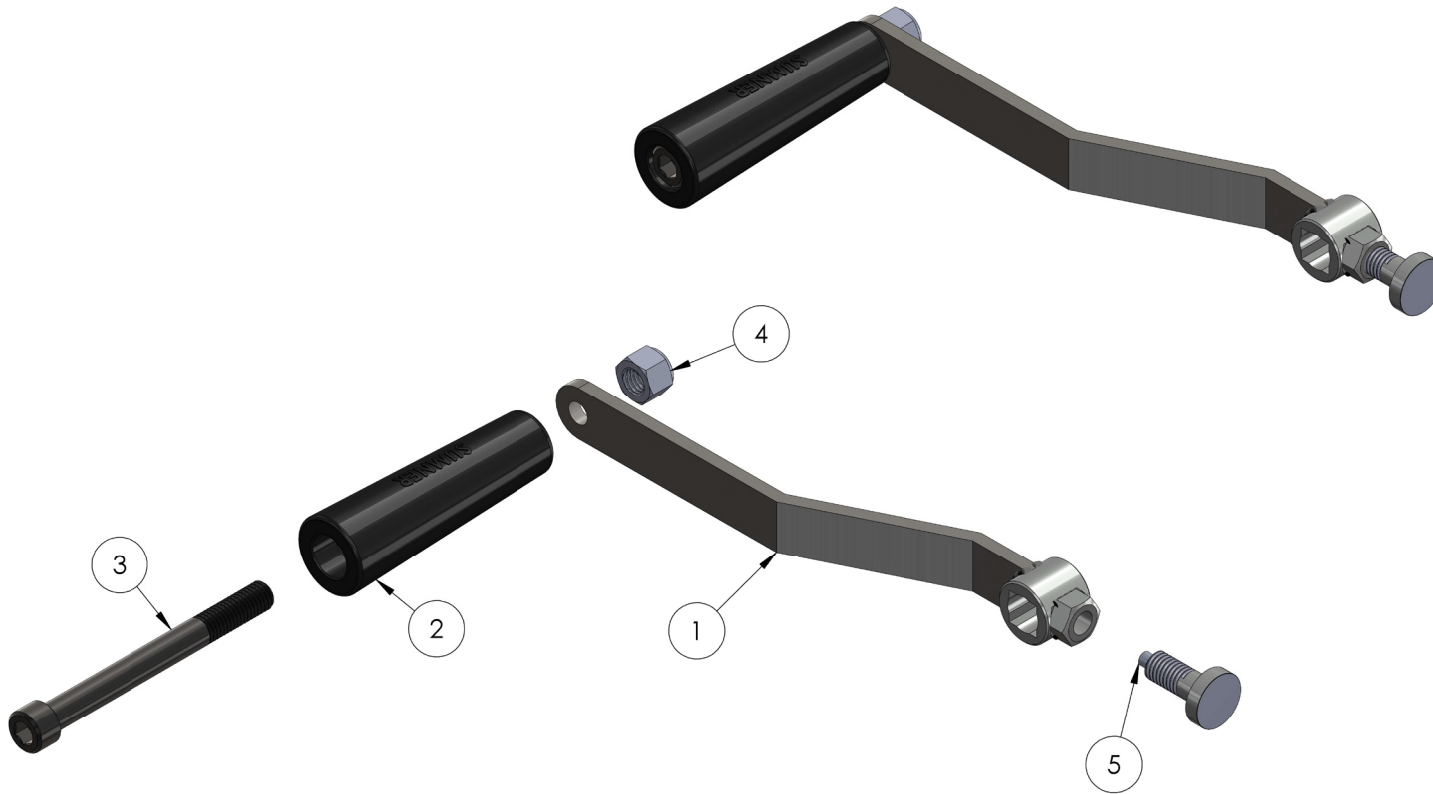
ITEM NO.	PART NUMBER	DESCRIPTION	QTY.
1	783041	MAST HOLD DOWN DEVICE WELDMENT	1
2	783044	MAST HOLD DOWN SPACER	1
3	773096	WASHER, FLAT M12	1
4	774051	PIN, COTTER 0.125 X 0.75"	1
5	776216	SPRING, CENTURY #71912S	2

MX & NL WINCH 2-SPEED HANDLE



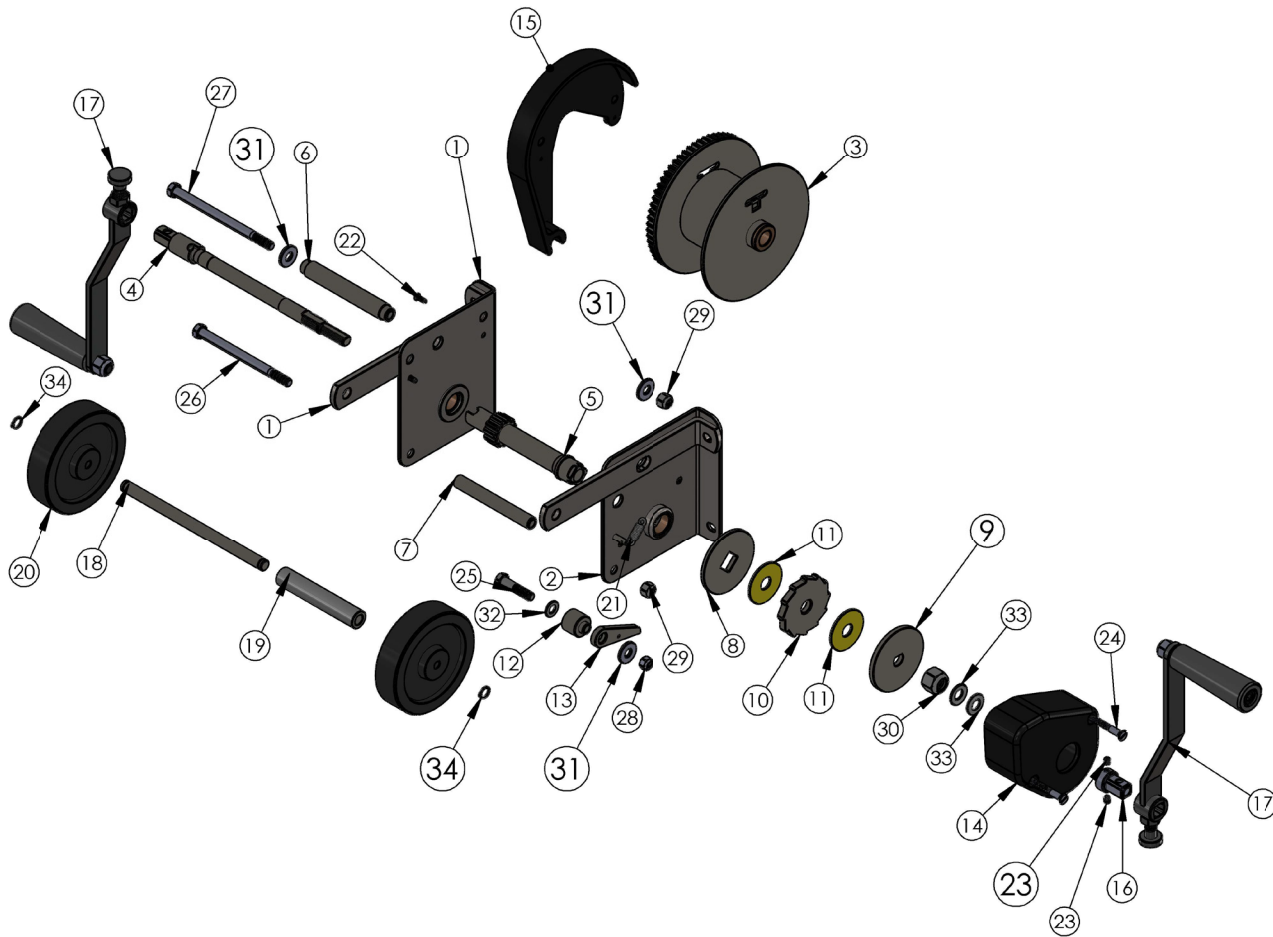
ITEM NO.	PART NUMBER	DESCRIPTION	QTY.
1	783758	WINCH HANDLE WELDMENT, 2 SPEED	1
2	780182	WINCH HANDLE SLEEVE	1
3	771253	SCREW, SH 1/2-13 X 4.75	1
4	772358	NUT, INSERT JAM 1/2-13	1
5	774180	SPRING PLUNGER, M 1/4 DIA.	2

MX & NL WINCH HANDLE



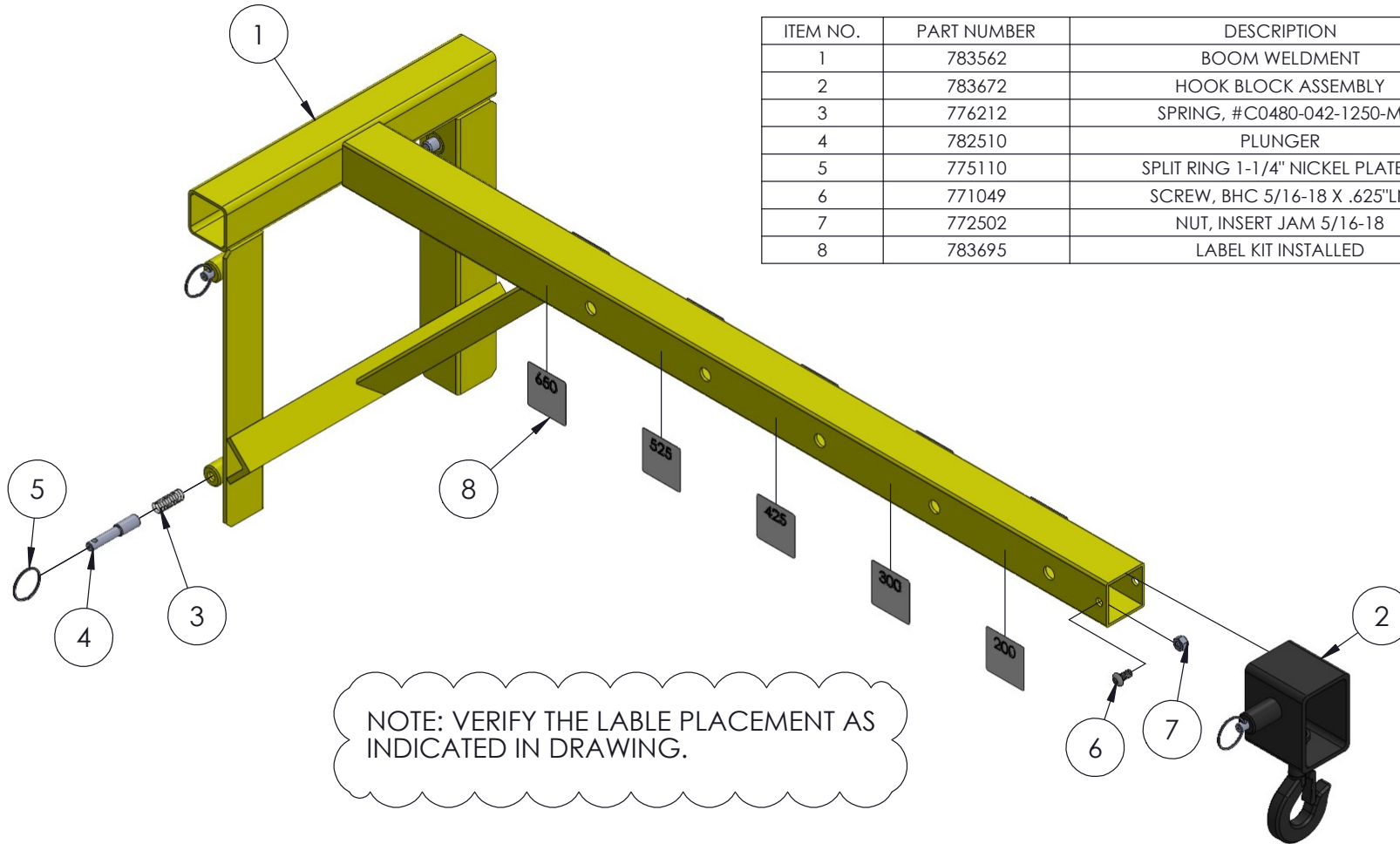
ITEM NO.	PART NUMBER	DESCRIPTION	QTY.
1	783756	WINCH HANDLE WELDMENT	1
2	780182	WINCH HANDLE SLEEVE	1
3	771254	SCREW, SHC 1/2 -13 X 5"LN	1
4	772358	NUT, INSERT JAM 1/2 -13	1
5	774180	SPRING PLUNGER, M 1/4 DIA.	1

NL WINCH ASSEMBLY



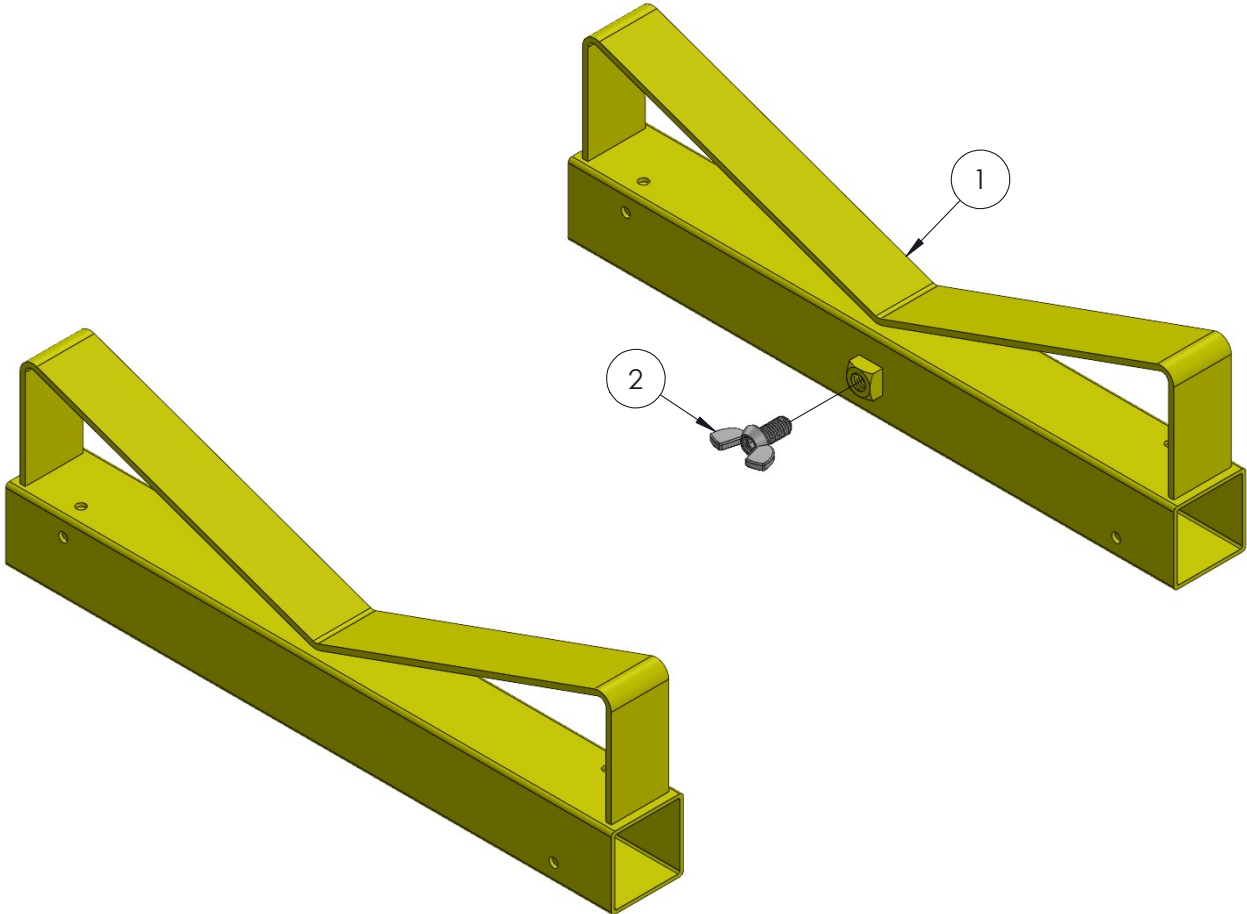
ITEM NO.	PART NUMBER	DESCRIPTION	QTY.
1	784492	SIDE PLATE ASSEMBLY-LH, NL WNCH	1
2	784494	SIDE PLATE ASSEMBLY-RH, NL WNCH	1
3	783613	DRUM ASSEMBLY	1
4	783754	DRIVE SHAFT NL WINCH	1
5	784500	SHAFT, HOIST DRUM PINION, SQ END	1
6	783606	DRUM SPACER SHAFT	1
7	783599	SPACER-WINCH SIDE PLATE	1
8	784498	PLATE, INNER BRAKE DISC, NL WINCH	1
9	780212	PLATE, OUTER BRAKE DISC, NL WINCH	1
10	780214	BRAKE RATCHET WJ-15	1
11	783615	BRAKE DISK	2
12	783598	SPACER-RATCHET	1
13	780216	HOIST RATCHET DOG WJ-19	1
14	783612	BRAKE COVER	1
15	783611	GEAR COVER	1
16	784284	WINCH HANDLE ADAPTER	1
17	783757	WINCH HANDLE	2
18	782619	WINCH SHAFT, ROLLER	1
19	783764	SLEEVE, ROLLER SHAFT	1
20	779045	5" PLASTIC WHEEL	2
21	783621	RATCHET DOG SPRING	1
22	776042	SCREW, BHMS #8-32 X 1/2" LN	2
23	771431	SET SCREW 1/4-20 X 5/16"LN FLT PT	2
24	771290	SCREW, FHSC 1/4-20 X 2.25"LN	2
25	771100	SCREW, HHC 3/8-16X1.75" LN	1
26	771111	SCREW, HHC 3/8-16X5.5" LN	1
27	771105	SCREW, HHC 3/8-16X6" LN	1
28	772502	NUT, INSERT JAM 5/16-18	1
29	772355	NUT, INSERT LOCK 3/8-16	2
30	772375	NUT, INSERT JAM 5/8 -16	1
31	773040	WASHER, FLAT 3/8"	3
32	773631	WASHER, FLAT 3/8"	1
33	773085	WASHER, BELLEVILLE 1/2"	2
34	776072	RING, EXTERNAL RETAINING 1/2"	2

BOOM ASSEMBLY



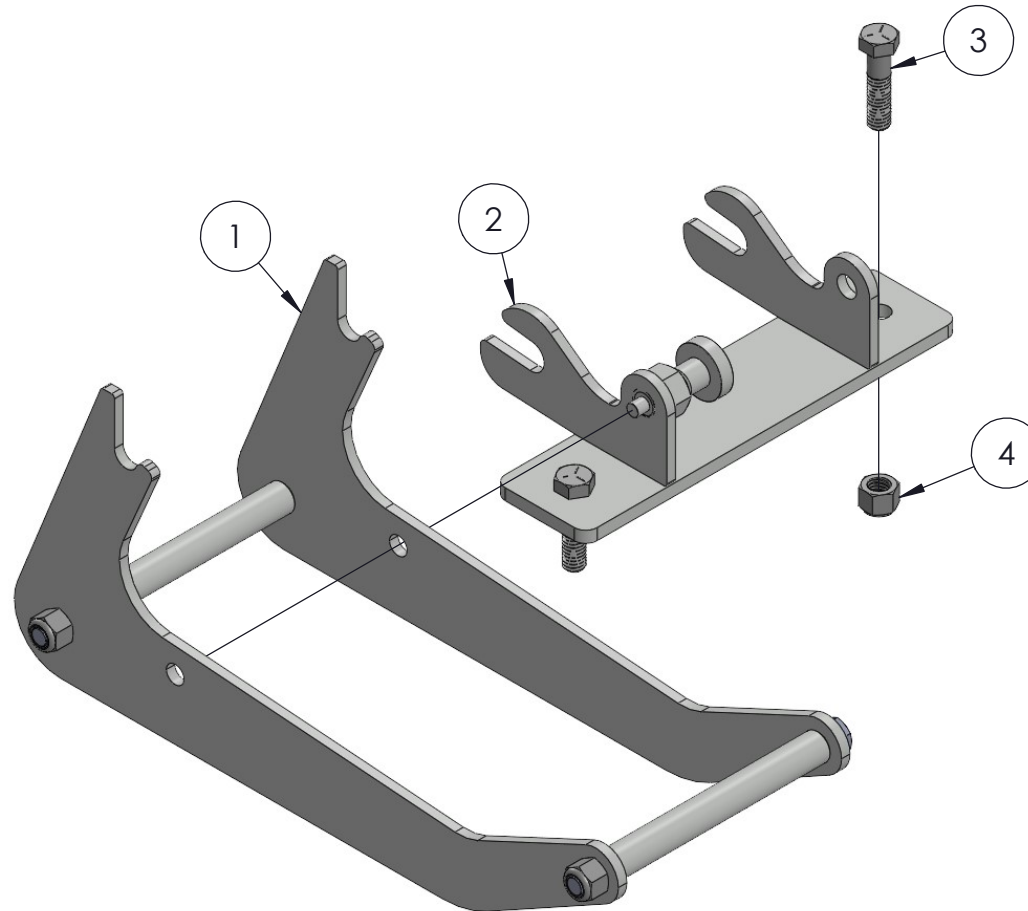
ITEM NO.	PART NUMBER	DESCRIPTION	QTY.
1	783562	BOOM WELDMENT	1
2	783672	HOOK BLOCK ASSEMBLY	1
3	776212	SPRING, #C0480-042-1250-M	4
4	782510	PLUNGER	4
5	775110	SPLIT RING 1-1/4" NICKEL PLATED	4
6	771049	SCREW, BHC 5/16-18 X .625"LN	1
7	772502	NUT, INSERT JAM 5/16-18	1
8	783695	LABEL KIT INSTALLED	2

PIPE CRADLE ASSEMBLY



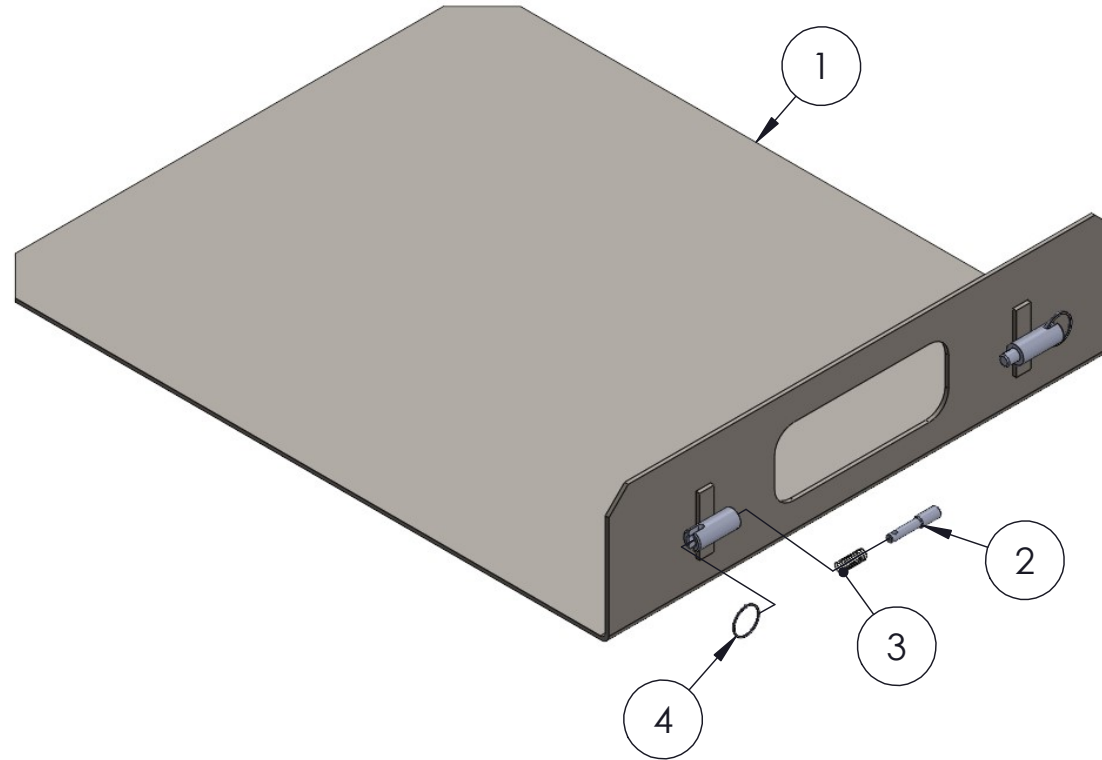
ITEM NO.	PART NUMBER	DESCRIPTION	QTY.
1	783706	PIPE CRADLE WELDMENT	2
2	780286	WING SCREW	2

FOOT JACK ASSEMBLY



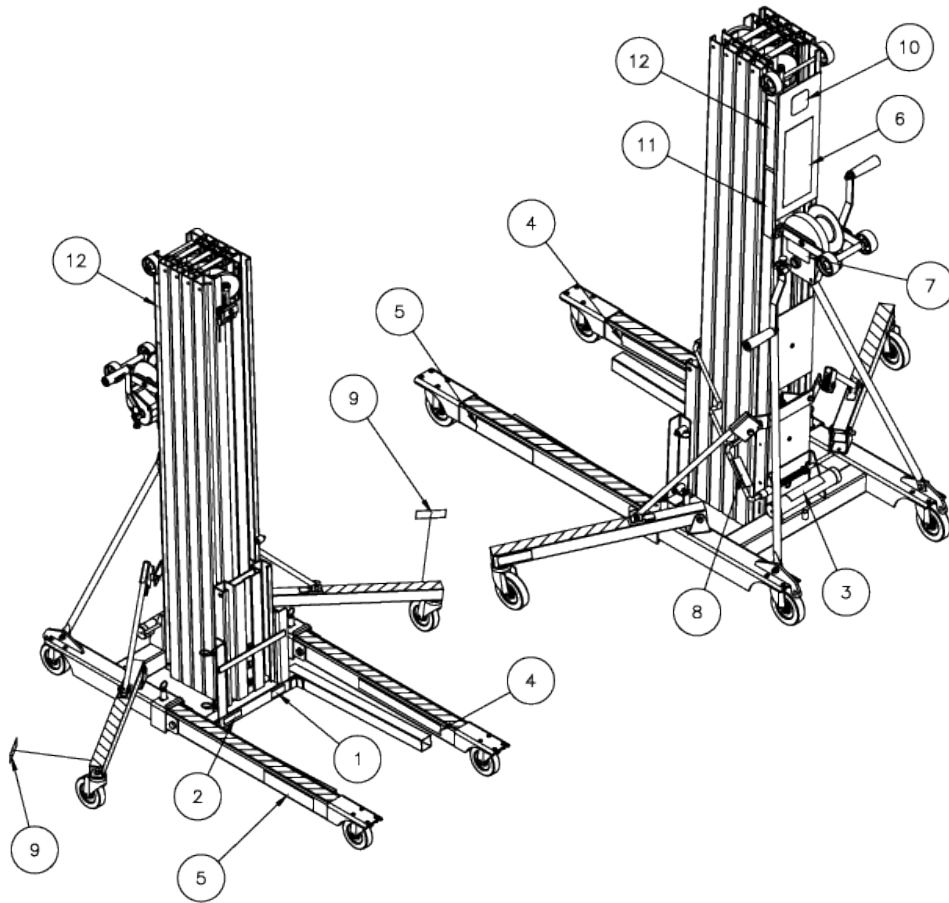
ITEM NO.	PART NUMBER	DESCRIPTION	QTY.
1	784071	FOOT JACK, SWING ARM ASSEMBLY	1
2	784073	FOOT JACK, SPREADER PLATE ASSEMBLY	1
3	771090	SCREW, HHC 3/8-16 X 1.5"	2
4	772355	NUT, INSERT LOCK 3/8-16	2

TRAY ASSEMBLY



ITEM NO.	PART NUMBER	DESCRIPTION	QTY.
1	786321	TRAY WELDMENT 2000/2100/2500	1
2	782510	PLUNGER	2
3	776212	SPRING, #C0480-042-1250-M	2
4	775110	SPLIT RING 1-1/4" NICKEL PLATED	2

SERIES 2000 LIFT LABEL KIT



Item	Part No.	Description	Qty
1	778347	LABEL, NO RIDERS WARNING	1
2	778339	LABEL, CARRIAGE LATCH WARNING	1
3	778906	LABEL, OP MANUAL - LIFT, READ B4	1
4	778850	LABEL-DO NT STND UDR LOAD	2
5	778342	SUMNER LOGO (2 1/2" HIGH)	2
6	778350	LABEL, GENERAL WARNINGS	1
7	778346	LABEL, WINCH RAISE/LOWER	1
8	778461	LABEL, MAST HOLD DOWN BAR TYPE	1
9	778348	LABEL, LOWER STABILIZER LEGS	2
10	778920	LABEL, CAUTION CARRIAGE LATCH	1
11		778369- C E SERIAL NO LABEL (not available)	1
12	778365	LABEL, MODEL 2010	2
12	778366	LABEL, MODEL 2015	2
12	778367	LABEL, MODEL 2020	2
12	778368	LABEL, MAST 2025	2